



Professional LED Light Manufacturer
Since 2008

www.wilgex-led.com

(86) 769-28820681

info@wilgex-led.com

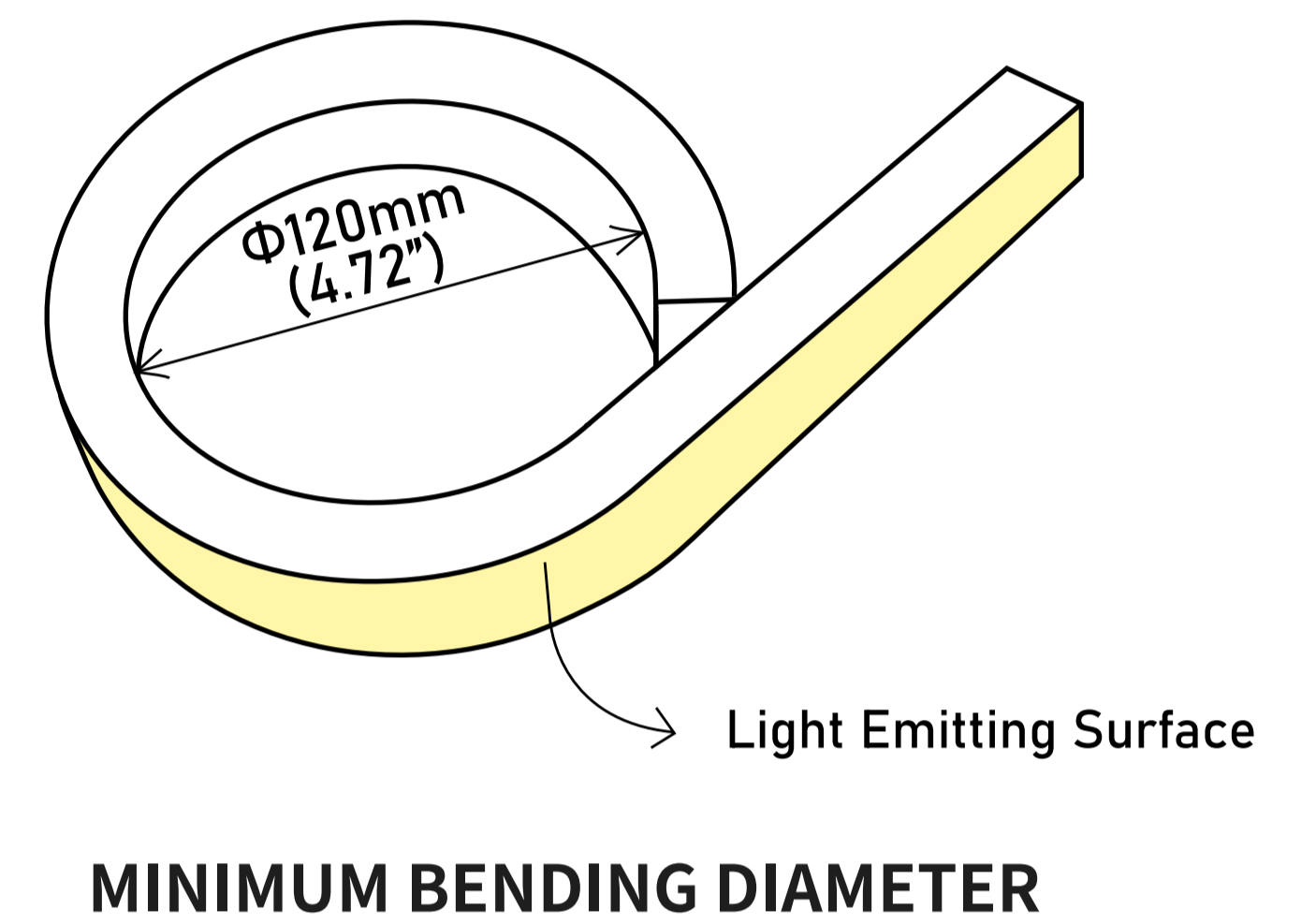
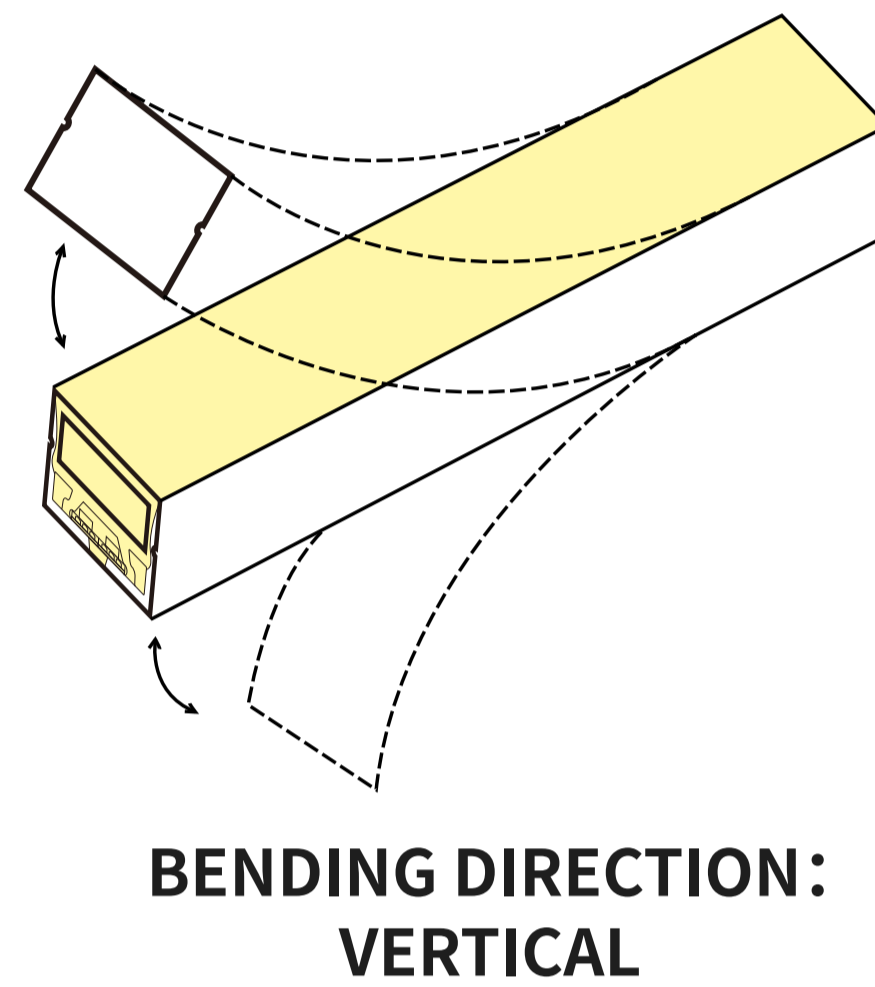
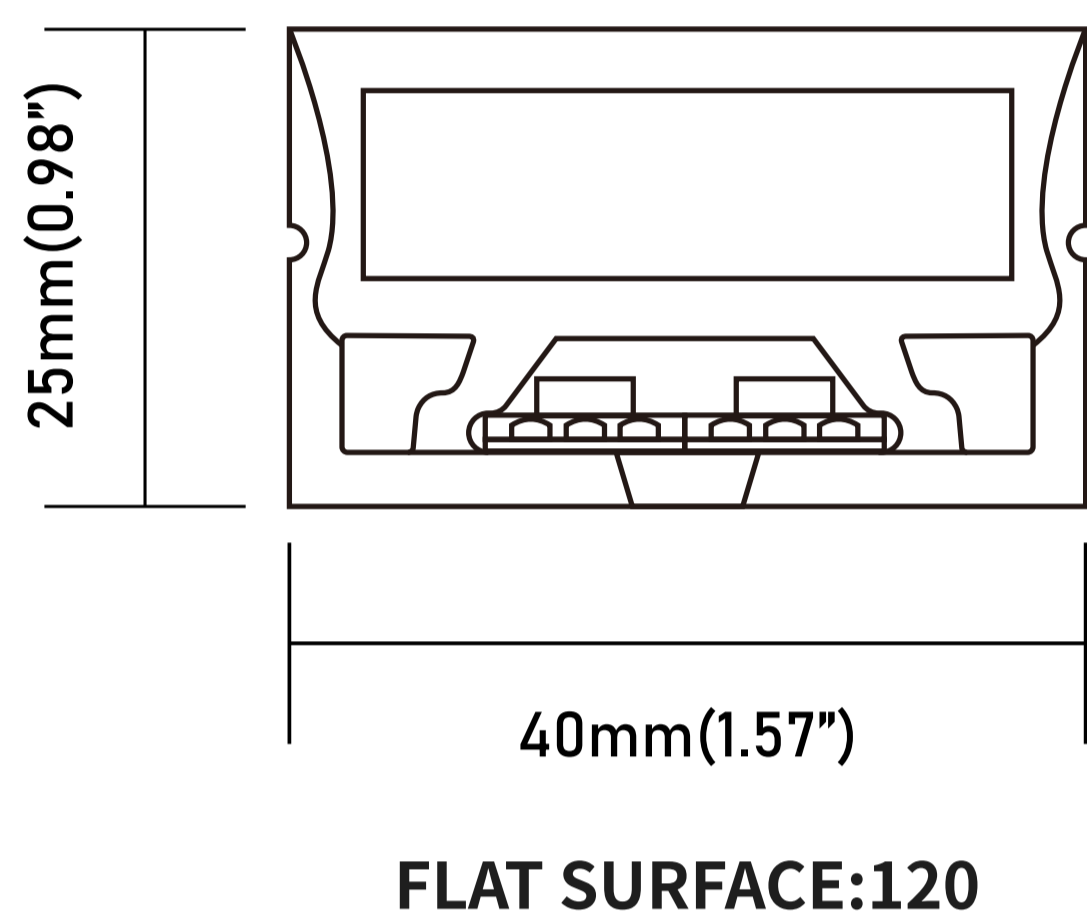
40x25mm
FLAT

LED NEON FLEX
SILICONE DYNAMIC PIXEL
RGB COLOR
24V

SKU:WJ-SNF-4025-D-RGB-24V



Structural Drawing & Bending Direction

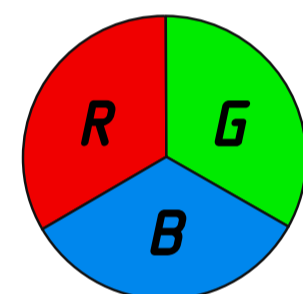


Certifications



Technical Data

SPI-RGB



Color Temp

Red:624.8nm
Green:525.1nm
Blue:469.8nm
White:6500K(Color mixing)

Watts/m(24V Flat)

Red:9.15 W
Green:9.30 W
Blue:9.80 W
White:22.88 W(Color mixing)

Lumen/m (24V Flat)

Red:134.64 lm
Green:226.66 lm
Blue:43.77 lm
White:368.94 lm(Color mixing)

Unit Cut(24V)

10cm

Max Loading(24V)

5m

LED Quantity(m)

2x60LEDs+10 ICs
IC code: SM16703P
(compatible with all ICs and controllers
in the WS2811, 1804, and 1809 series)

Optical Parameter Chart for Integrating Sphere Testing

Chroma Parameters
Chro.Coor.: x=0.2700 y=0.2594 u=0.1938 v=0.2793 duv=-0.0087
CCT: Tc=15061K Dominant Wave.: 474.6nm Purity: 28.9%
Flux Ratio: R=26.1%,G=63.3%,B=10.6% Peak Wave.: 464.7nm Half Width: 23.0nm

Bending Index: Ra= 21.8
R1 =-1.4 R2 =36.8 R3 =66.2 R4 =20.9 R5 =22.2 R6 =34.2 R7 =42.6
R8 =-46.7 R9 =-319.5R10=-46.4 R11=8.6 R12=36.7 R13=3.5 R14=75.7
R15=-26.7

Photo Parameters
Flux: 369.19lm Effi.: 16.1lm/W Radiant: 1862.4mW Iv: 0.0mcd

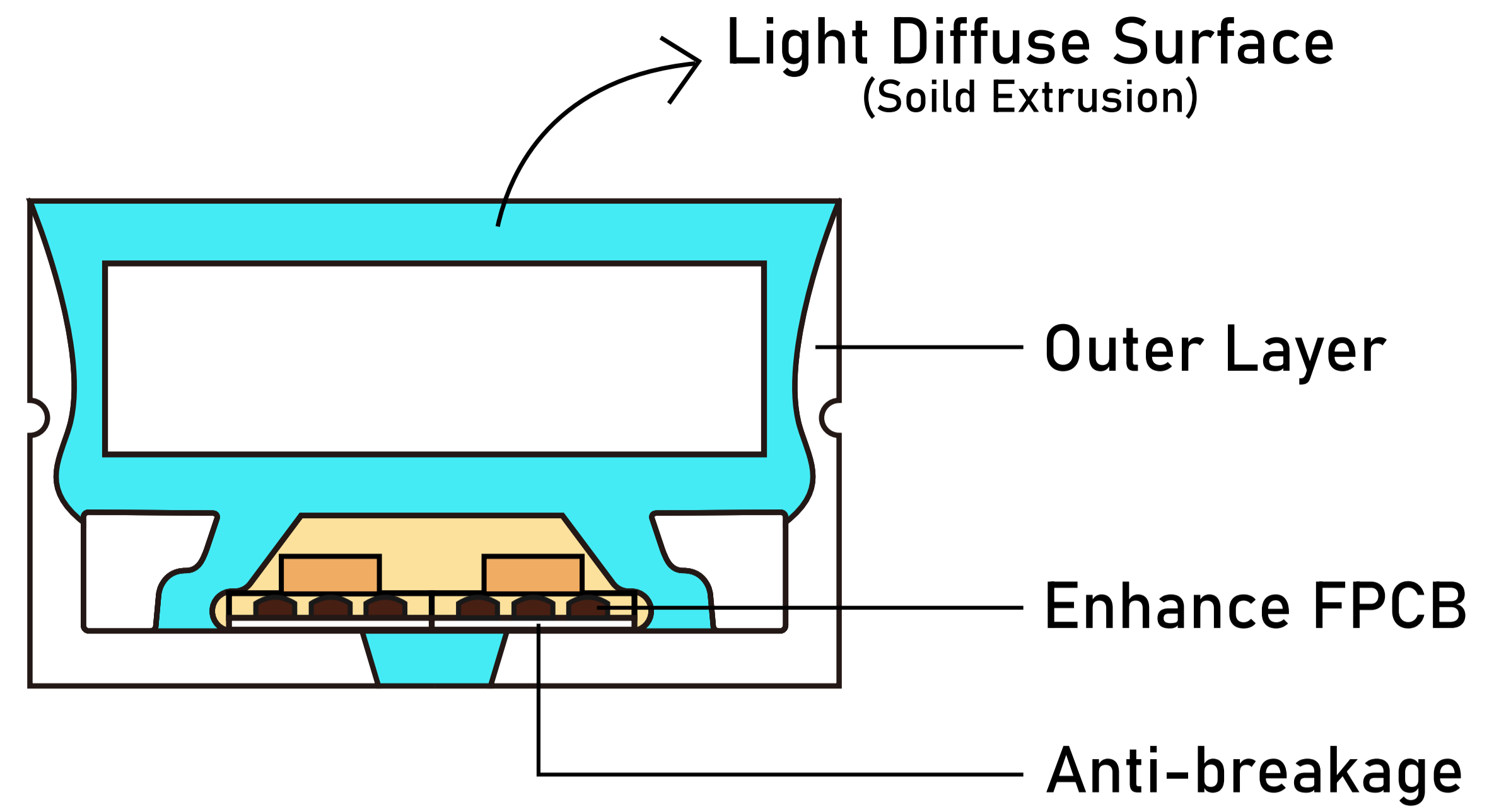
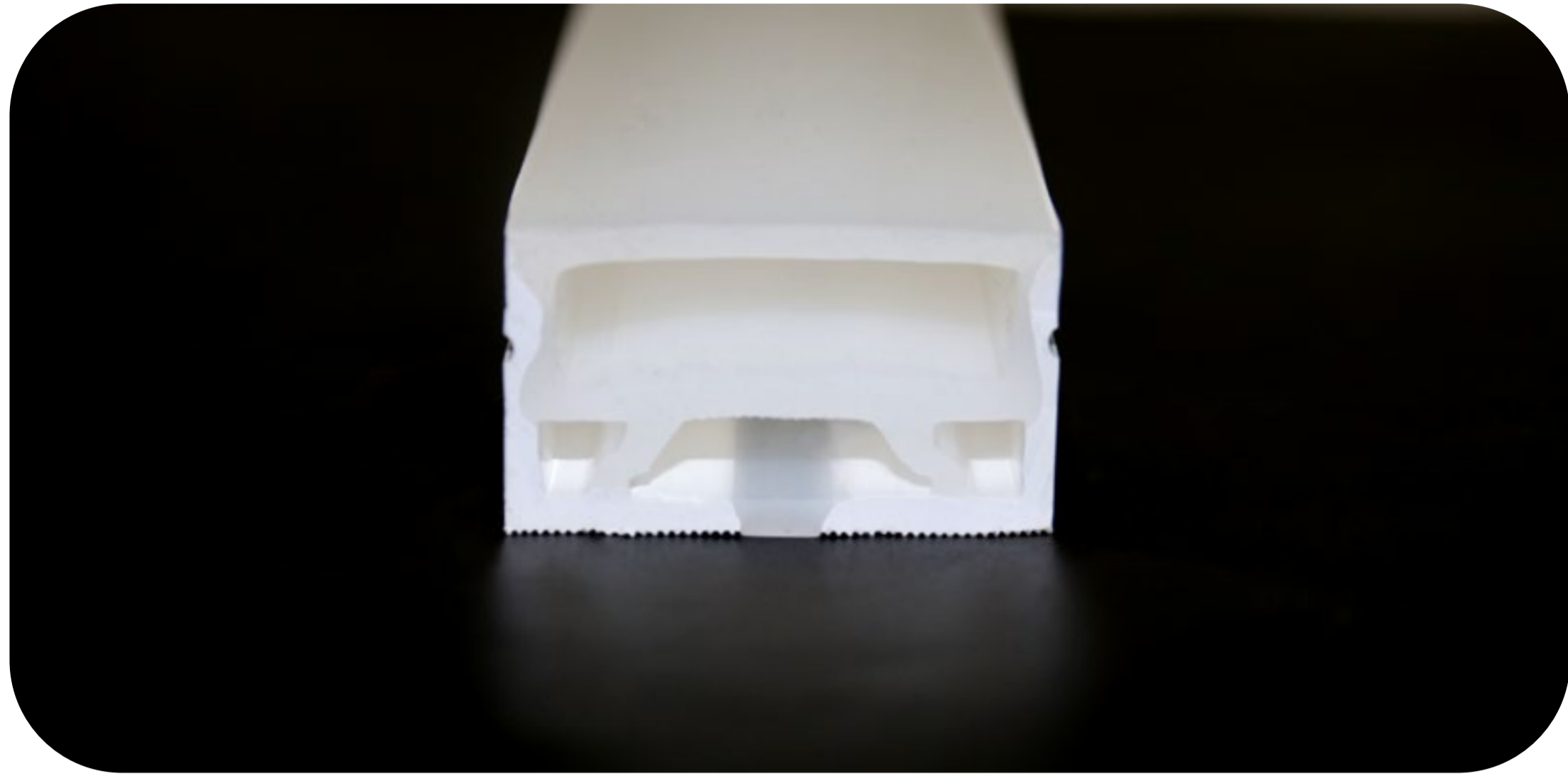
Ele. Parameters
Voltage:U=24.000V Current:I=0.9520A
Power:P=22.87W Power Factor:PF=1.000

Reliability test

TEST CATEGORY	TEST ITEMS	STANDARD/VALUE
Optical Test	Spectrum Analysis	IES LM 79(CCT, lumen, CRI, SDCM, XY, wavelength)
	Photometric Distribution	IES LM 79(lumen intensity distribution & Lux diagram)
	Lumen Maintenance & Lifetime	IES LM84 & IES TM 28
Temperature Test	Nomal Temperature Test -25°C	UL 1598 & UL2388 & IEC60598-1 & IEC60598-2-21
	Abnormal Operation Test -70°C	UL 1598 & UL2388 & IEC60598-1 & IEC60598-2-21
Physics Test	Bending Test	Manufacturer-defined, 1000 cycles
	Swing Test	UL2388, >750 cycles
	Tensile Test	Manufacturer-defined, >the weight of light in max. running length by double ends feed
	Twist Test	Manufacturer-defined, 200 cycles
	IK08	IEC62262
Weathering Test	Ball Impact	UL 1598 & UL2388 & IEC60598-1 & IEC60598-2-21
	Swimming Pool Water Immersion Test	GB9667, PH6.8-7.6, free chlorine 0.3-0.6mg/L
	Sea Water Immersion Test	IEC 60598-1, Salinity 4%
	Salt Spray Test	IEC68-2-11
Environment Test	Outdoor Exposure	Manufacturer-defined
	Flame Resistant Test	UL94
	UV Exposure Test	ASTMG154, UVA@340nm
	IPX5 IPX6 IPX7 IPX8	IEC60529
	Temperature Shock Test	Manufacturer-defined, -40°C-60°C(typical temperature range)
	Constant Temperature Test	Manufacturer-defined, 70°C(typical temperature range)

Wilgex specializes in engineering LED flexible neon lights and offers both standard and customized services. If you have specific requirements, please contact our sales department.

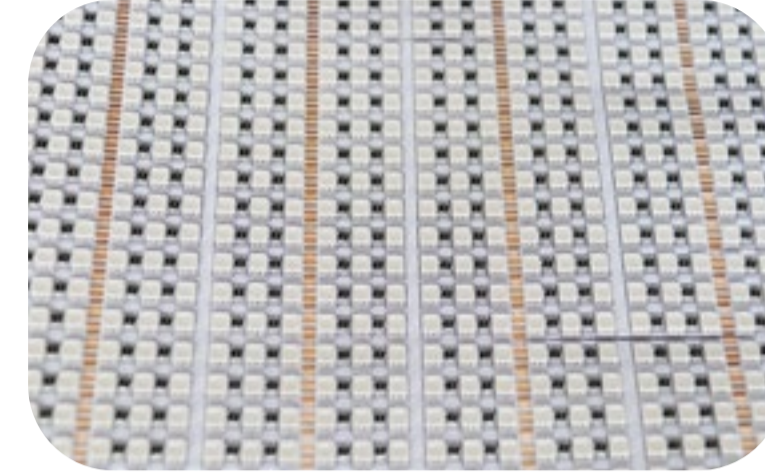
Four-star quality assurance



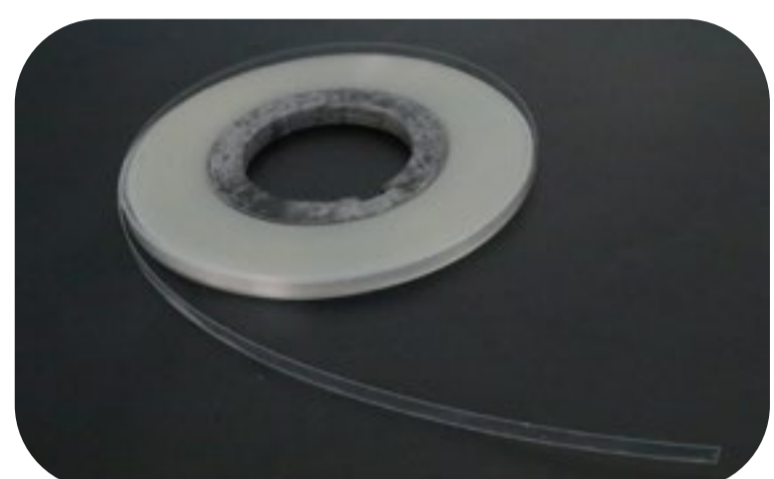
Unique Design



★ Enhance thickness FPC design principle



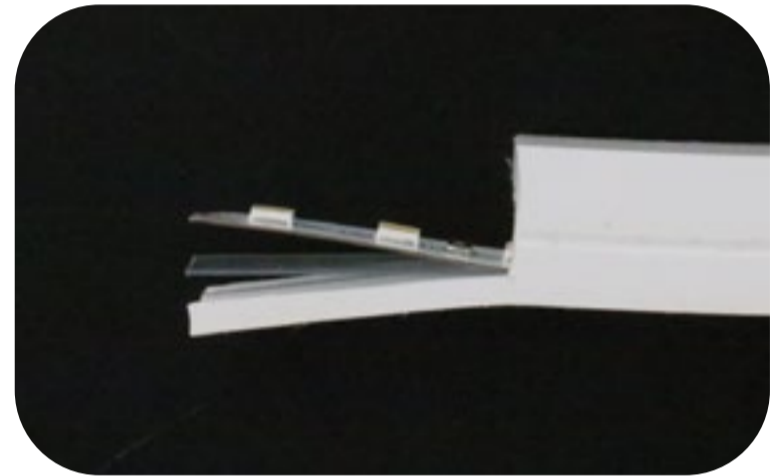
★ LED anti-death design



★ Add a break protection layer



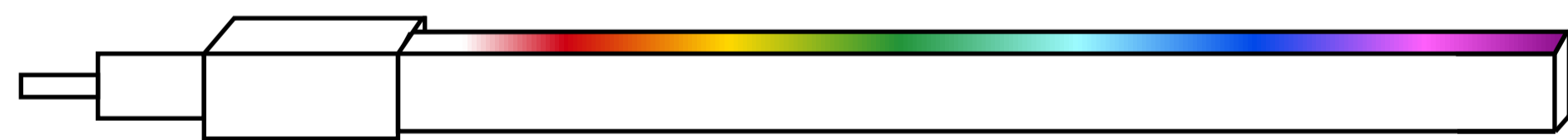
★ Solid extrusion design for exterior



Features:

1. Size: The bigger size of this LED Neon Flex is 40x25mm (Width x Height) .
2. High-density LED chips: The strips have a high density of LED chips, resulting in a brighter and more uniform light output
3. Flexible and bendable: Can be bent into various shapes and designs
4. Energy-efficient: Uses less power compared to traditional neon lights
5. Long lifespan: Can last up to 50,000 hours
6. Low heat emission: Does not emit as much heat as traditional neon lights
7. Wide color options: Available in a wide range of colors
8. Easy to install: Can be cut and connected to fit any desired length and shape
9. Durable and weather-resistant: Can withstand various weather conditions
10. Safe to use: Low voltage and does not contain hazardous materials like mercury
11. Cost-effective: Offers a cost-effective alternative to traditional neon lights.

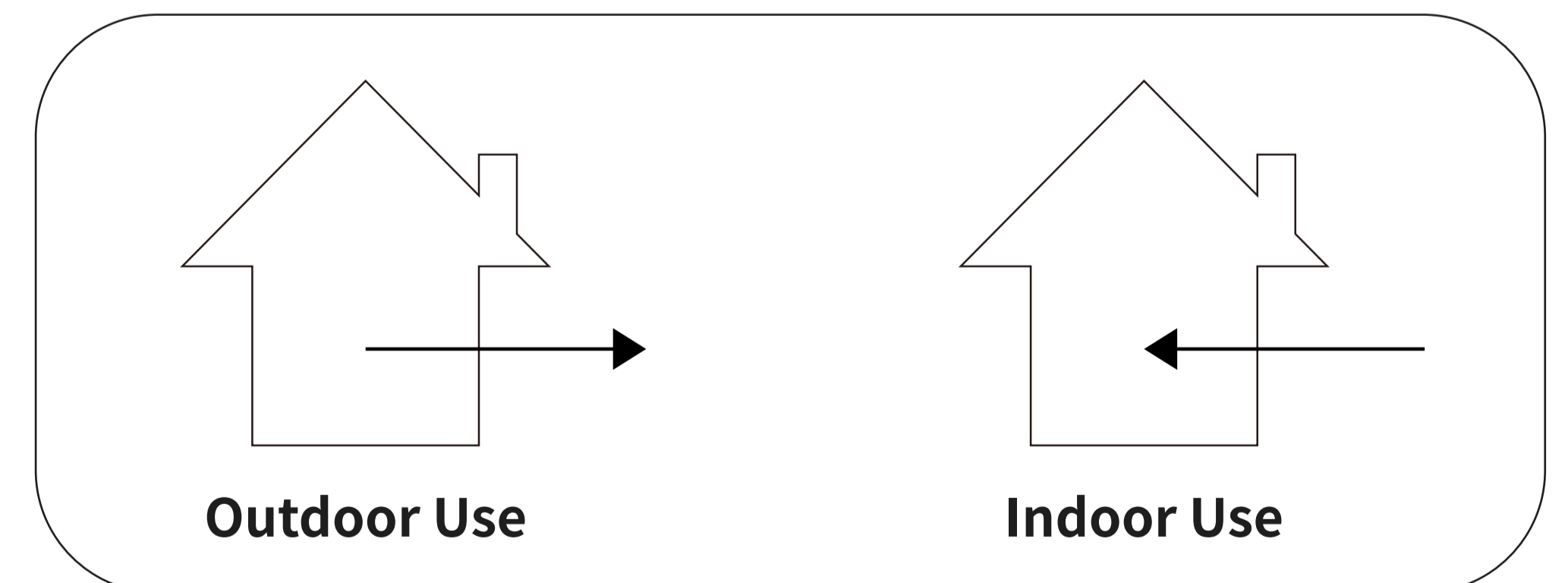
Wide Color Options



Dynamic Pixel RGB

Recommended Usage Scenarios :

1. Indoor and outdoor architectural lighting decoration
2. Landscape lighting
3. Advertising signage lighting
4. Stage and theater lighting
5. Car and motorcycle lighting
6. Holiday and event lighting decoration
7. Cove lighting
8. Edge-lit lighting
9. Retail and display lighting
10. Restaurant and bar lighting



Please note that these are only recommended usage scenarios and it is important to consult the product specifications and guidelines before using flexible LED neon light strips in any application.



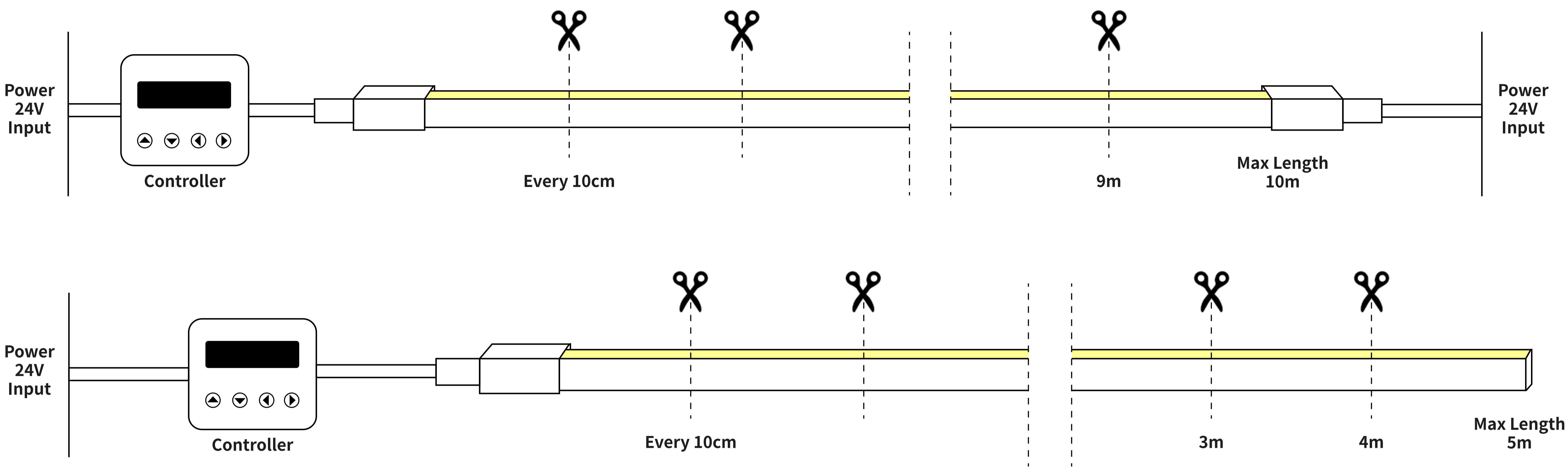
Package



Packing Method : box
 Quantity / Box : 5 meters / reel
 Gross Weight : 6.375 Kg (12.96LB)
 Size of outer box : 59.1x 59.1x 27 cm
 CBM : 0.094m³ / box

Mini Cutting Length & Connection Length

• Voltage (24V)



Controller Selection



HC100
Updated version SPI magic color controller



LT-200
LED Digital Controller



SP108E LED WIFI Controller

IP65 (DIY Connector)

• Voltage (24V)

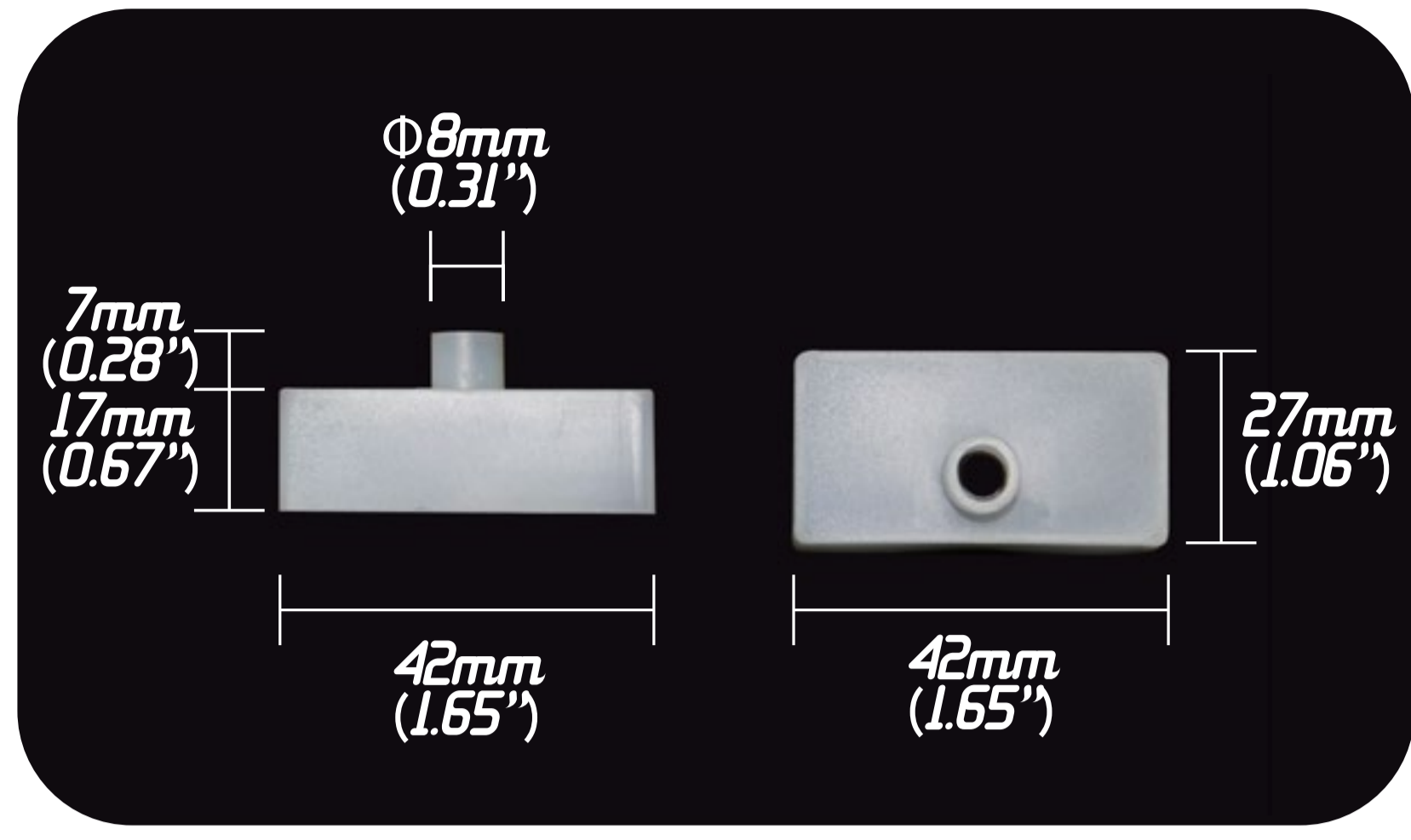


FRONT CONNECTION

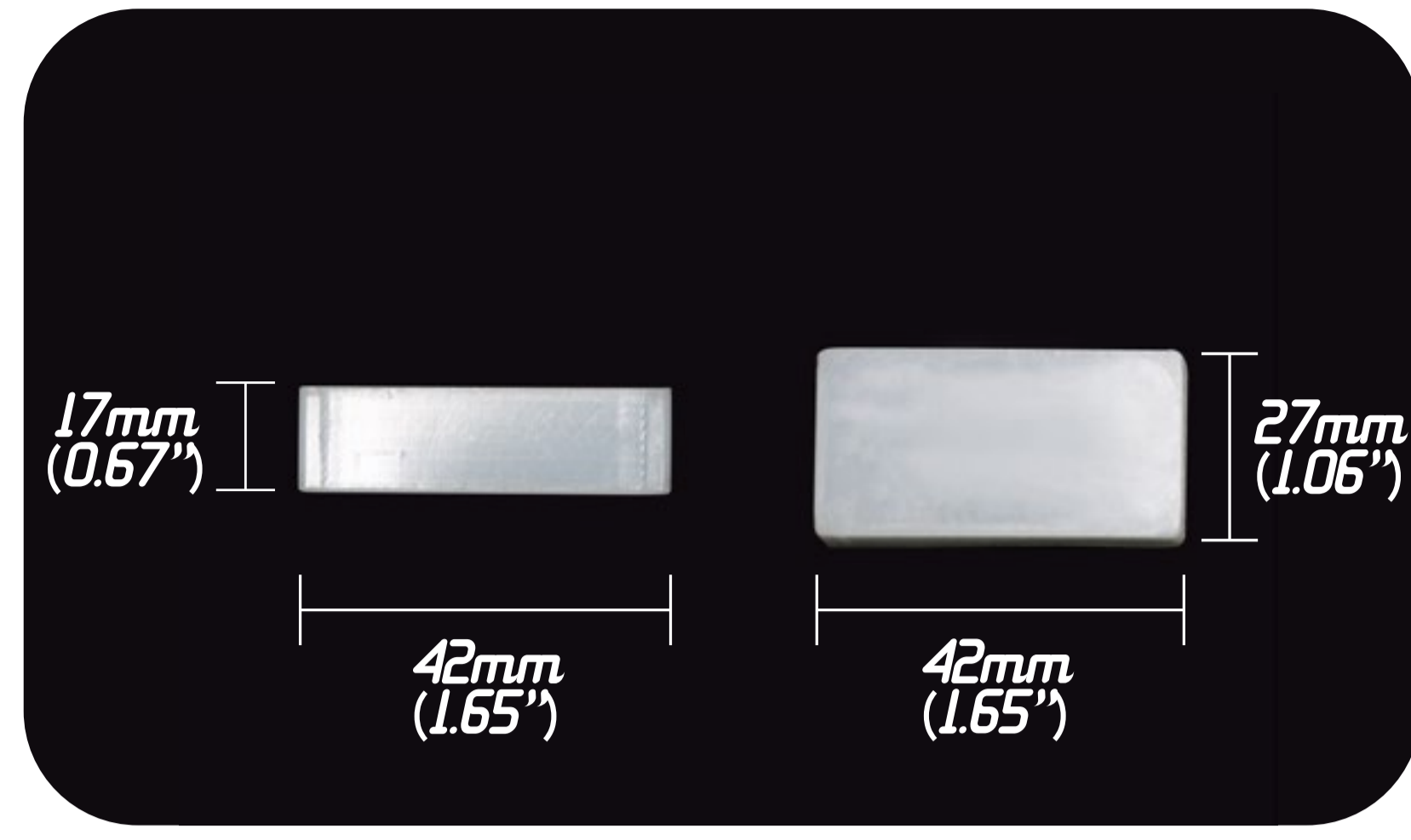


END CONNECTION

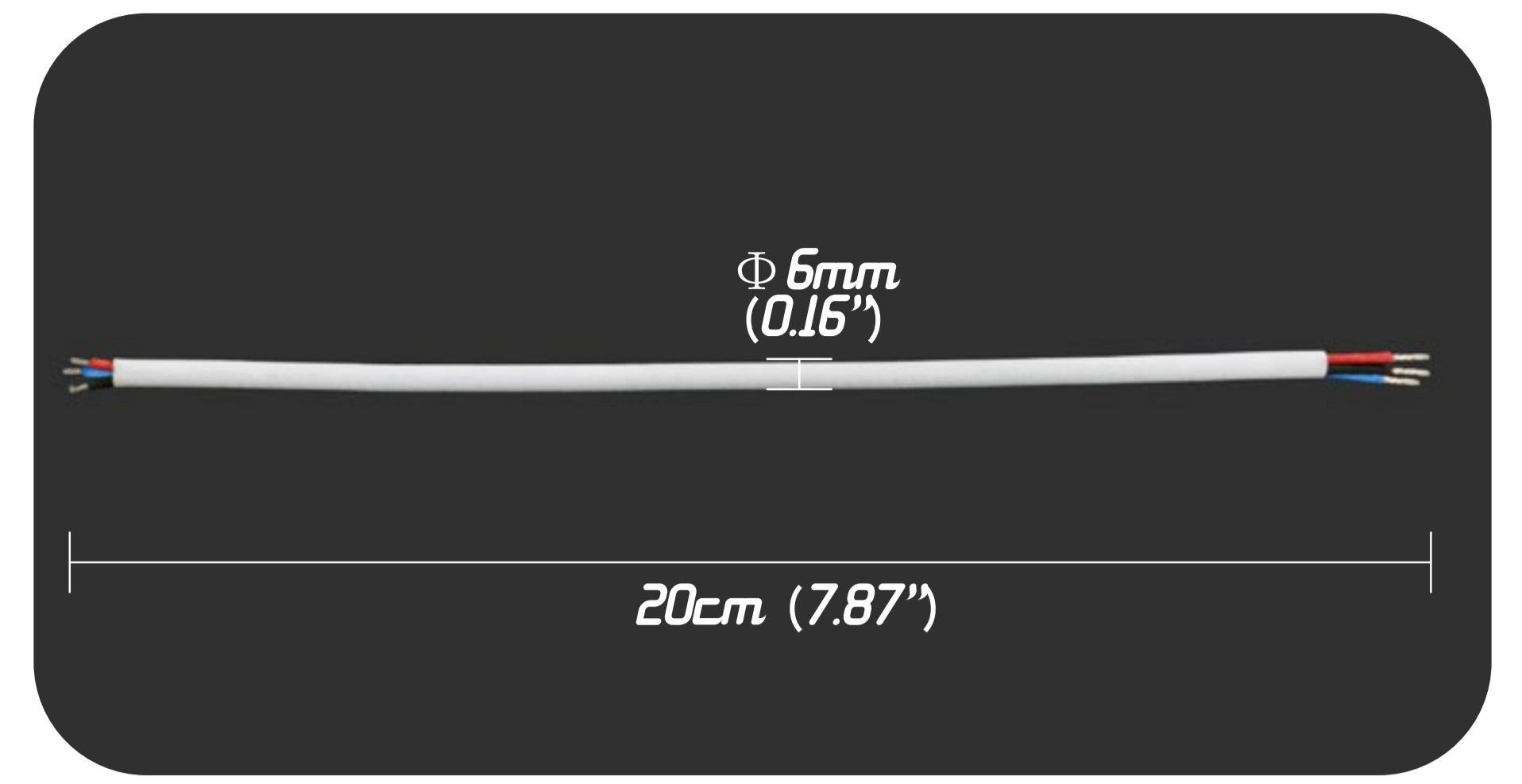
• Part Details



FRONT CONNECTION FITTING

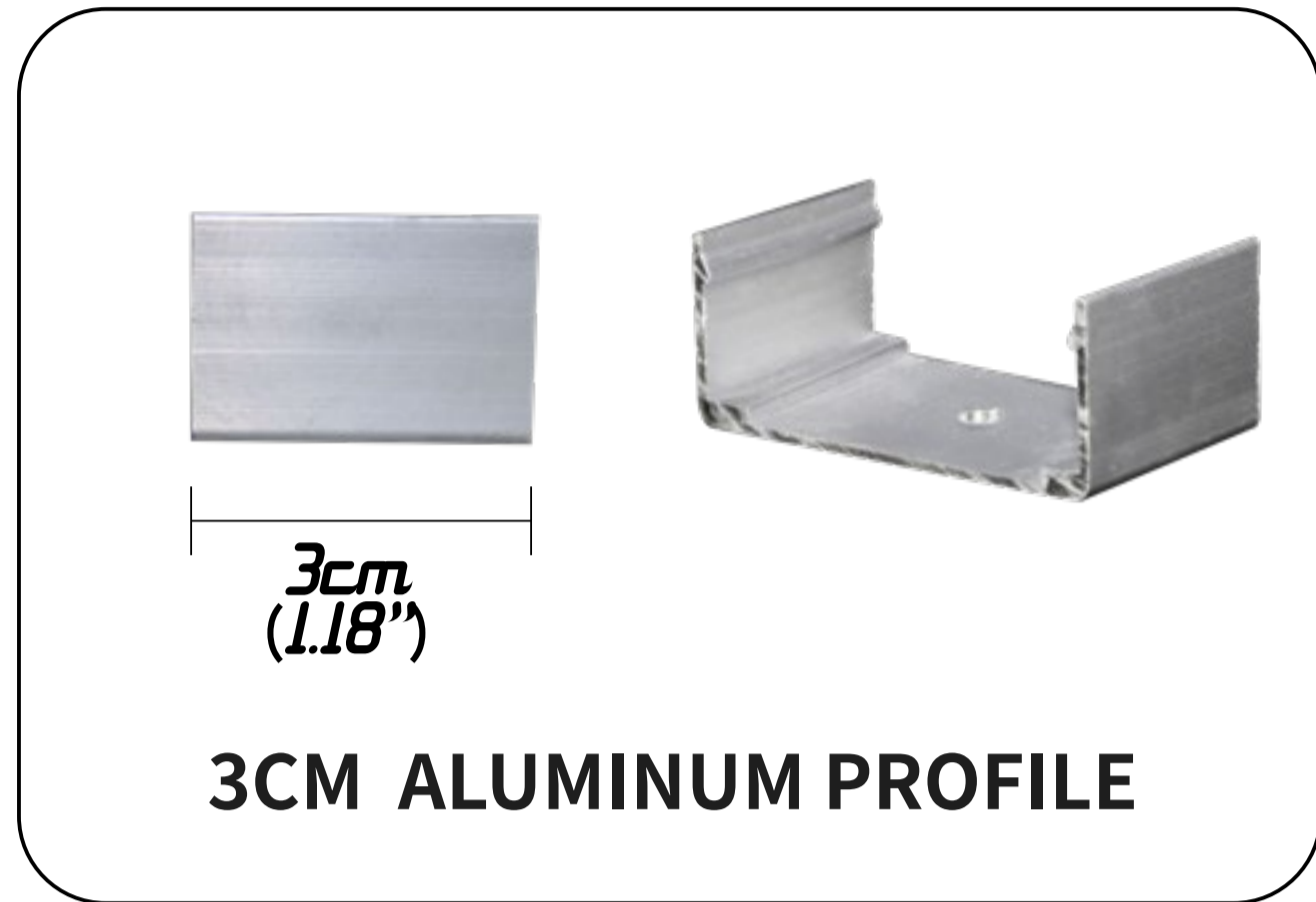


TAIL FITTING



SILICONE POWER WIRE (3 CORDS)

Mounting Aluminum Channel



3CM ALUMINUM PROFILE



ALUMINUM CHANNEL (1M)

