

Wilgex®

Professional LED Light Manufacturer
Since 2008

www.wilgex-led.com

(86) 769-28820681

info@wilgex-led.com

16x16mm

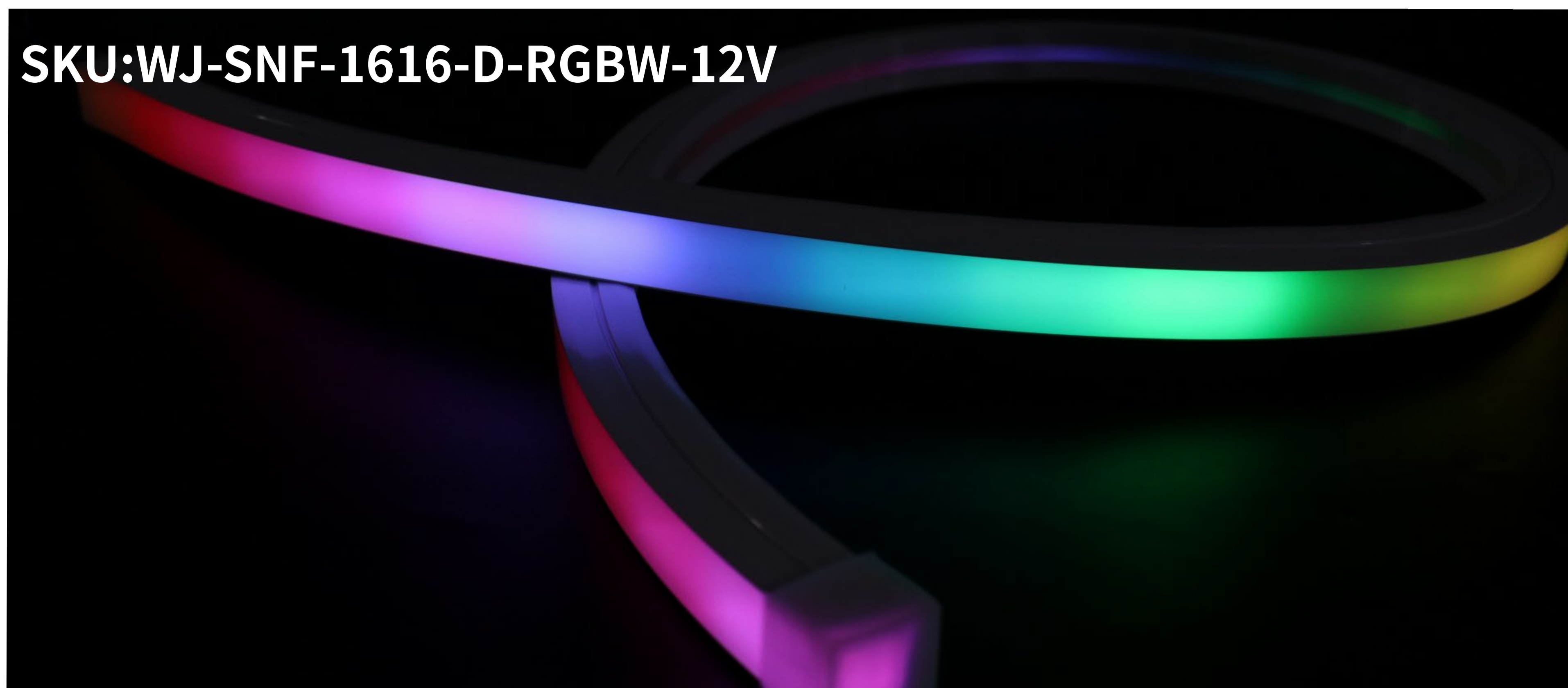
SQUARE TYPE

LED NEON FLEX

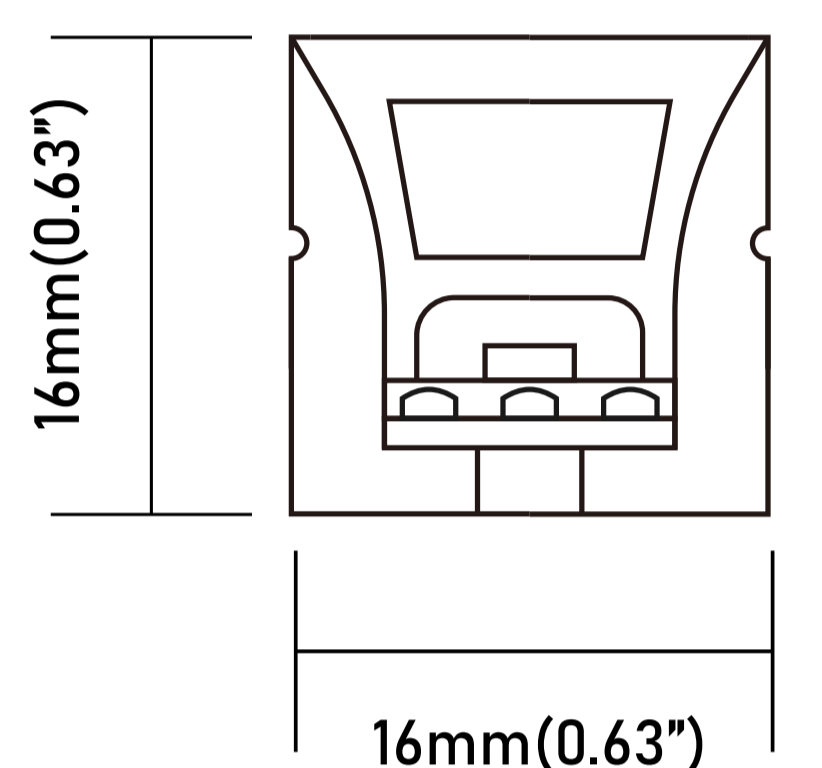
DYNAMIC PIXEL RGBW COLOR

12V

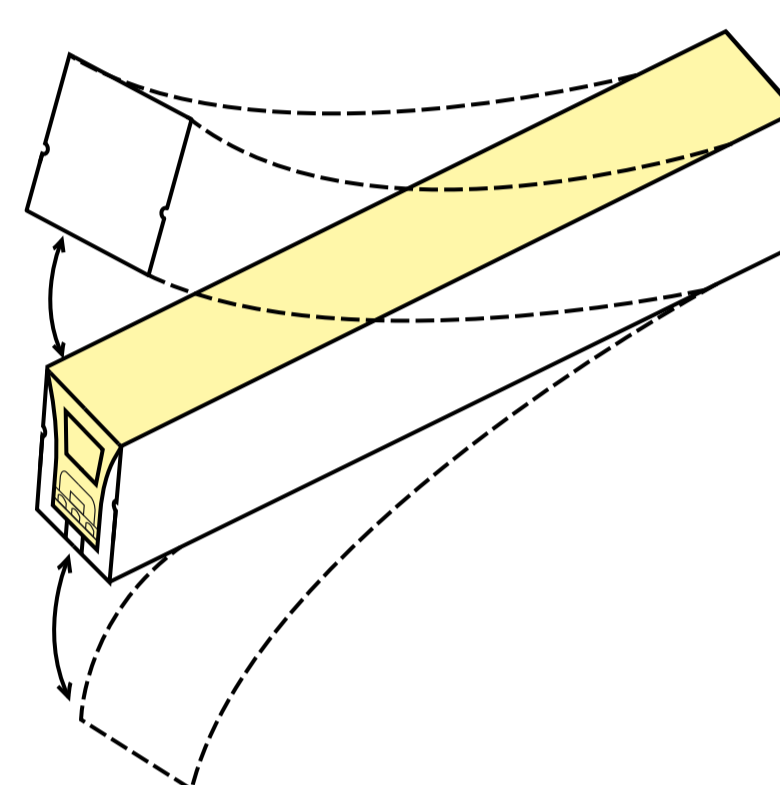
SKU:WJ-SNF-1616-D-RGBW-12V



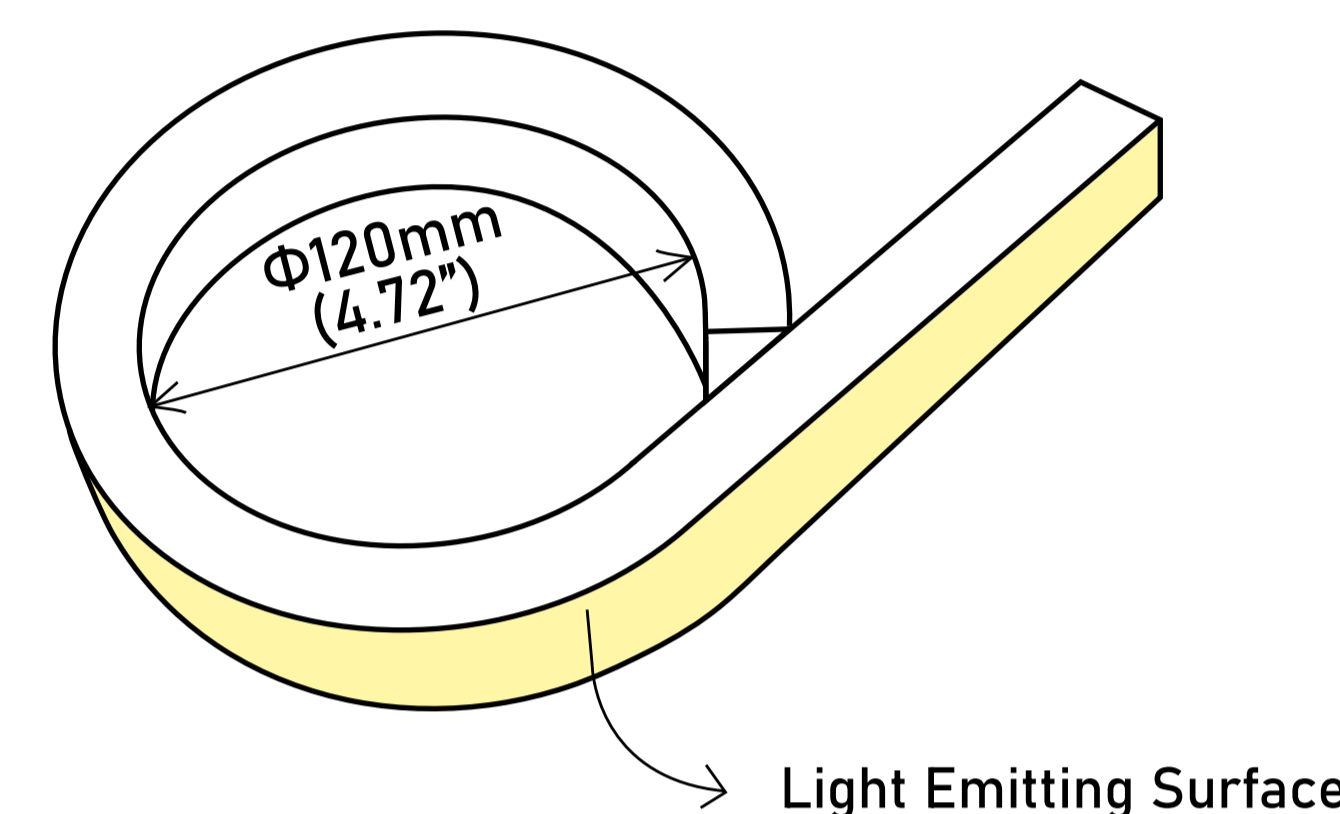
Structural Drawing & Bending Direction



FLAT SURFACE:120



BENDING DIRECTION:
VERTICAL



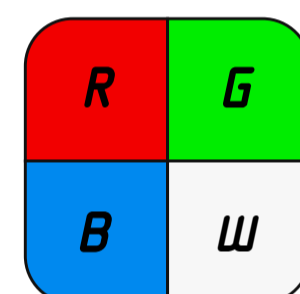
MINIMUM BENDING DIAMETER

Certifications



Technical Data

SPI-RGBW



Color Temp	Red: 625.1nm Green: 530.4nm Blue: 469.9nm White: 2749K(WW)/4000K(W) RGBW: 4042K (Color mixing)	Watts/m(12V Flat)	Red: 4.47 W Green: 4.44 W Blue: 4.43 W White: 8.25 W RGBW: 19.05 W (Color mixing)
Lumen/m (12V Flat)	Red: 55.98 lm Green: 138.39 lm Blue: 38.97 lm White: 186.59 lm RGBW: 630.26 lm (Color mixing)	Unit Cut(12V)	2.78cm
LED Quantity(m)	108 LEDs + 36 ICs	Max Loading(12V)	5m
		IC code: WS2811F (compatible with all ICs and controllers in the WS2811, 1804, and 1809 series)	

Optical Parameter Chart for Integrating Sphere Testing

Chroma Parameters
Chro.Coord.: x=0.3726 y=0.3533 u=0.2295 v=0.3264 duv=-0.0091
CCT: Tc= 4044K Dominant Wave.: 587.4nm Purity: 17.8%
Flux Ratio: R=24.6%,G=71.0%,B=4.4% Peak Wave.: 630.1nm Half Width: 32.6nm

Rendering Index: Ra= 78.1
R1 =70.6 R2 =80.2 R3 =91.6 R4 =77.3 R5 =73.2 R6 =70.1 R7 =87.6
R8 =74.7 R9 =37.9 R10=59.6 R11=68.5 R12=60.9 R13=70.8 R14=95.7
R15=71.8

Photo Parameters
Flux: 628.63lm Effi.: 33.0lm/W Radiant: 2177.2mW Iv: 0.0mcd

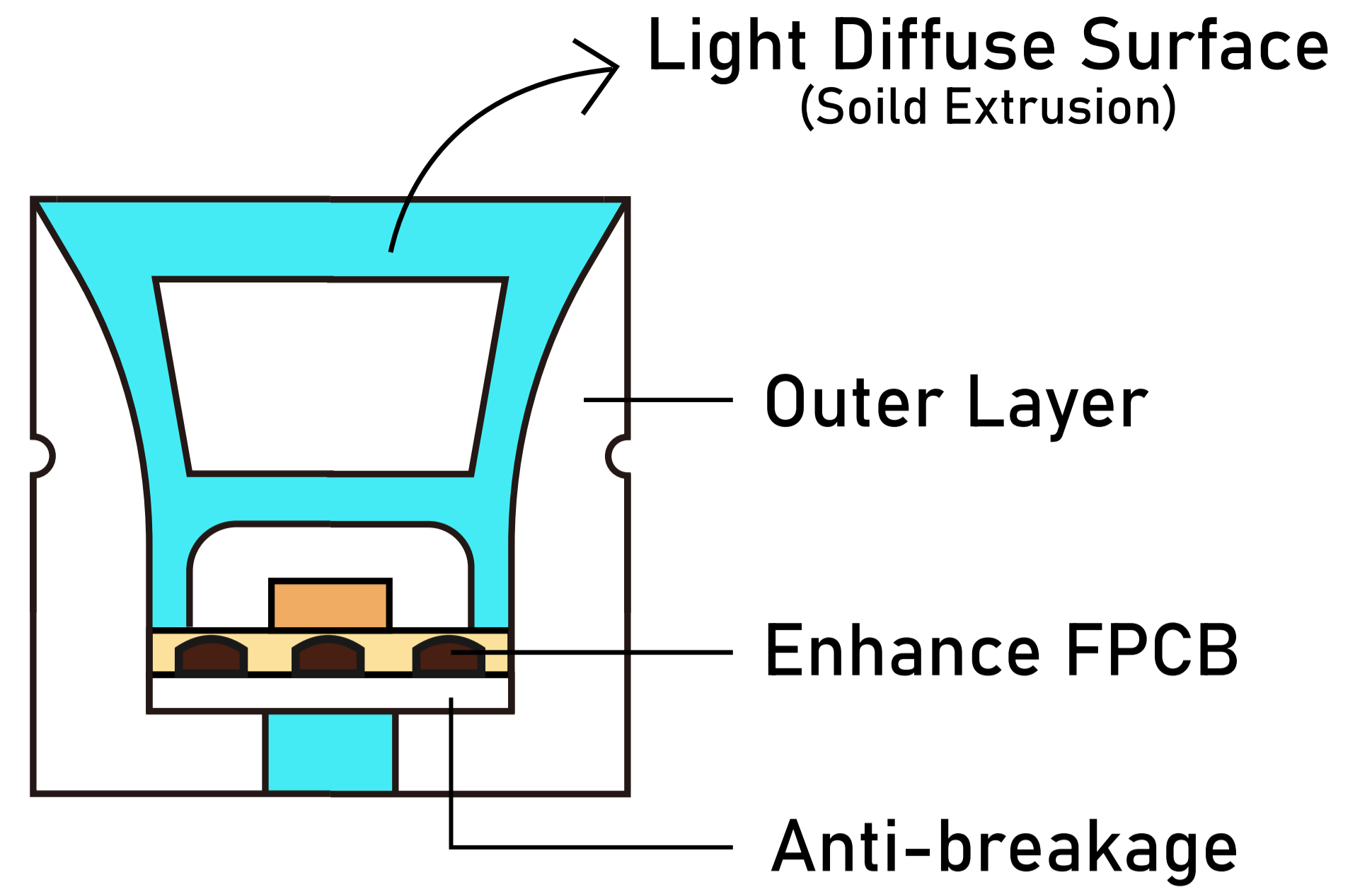
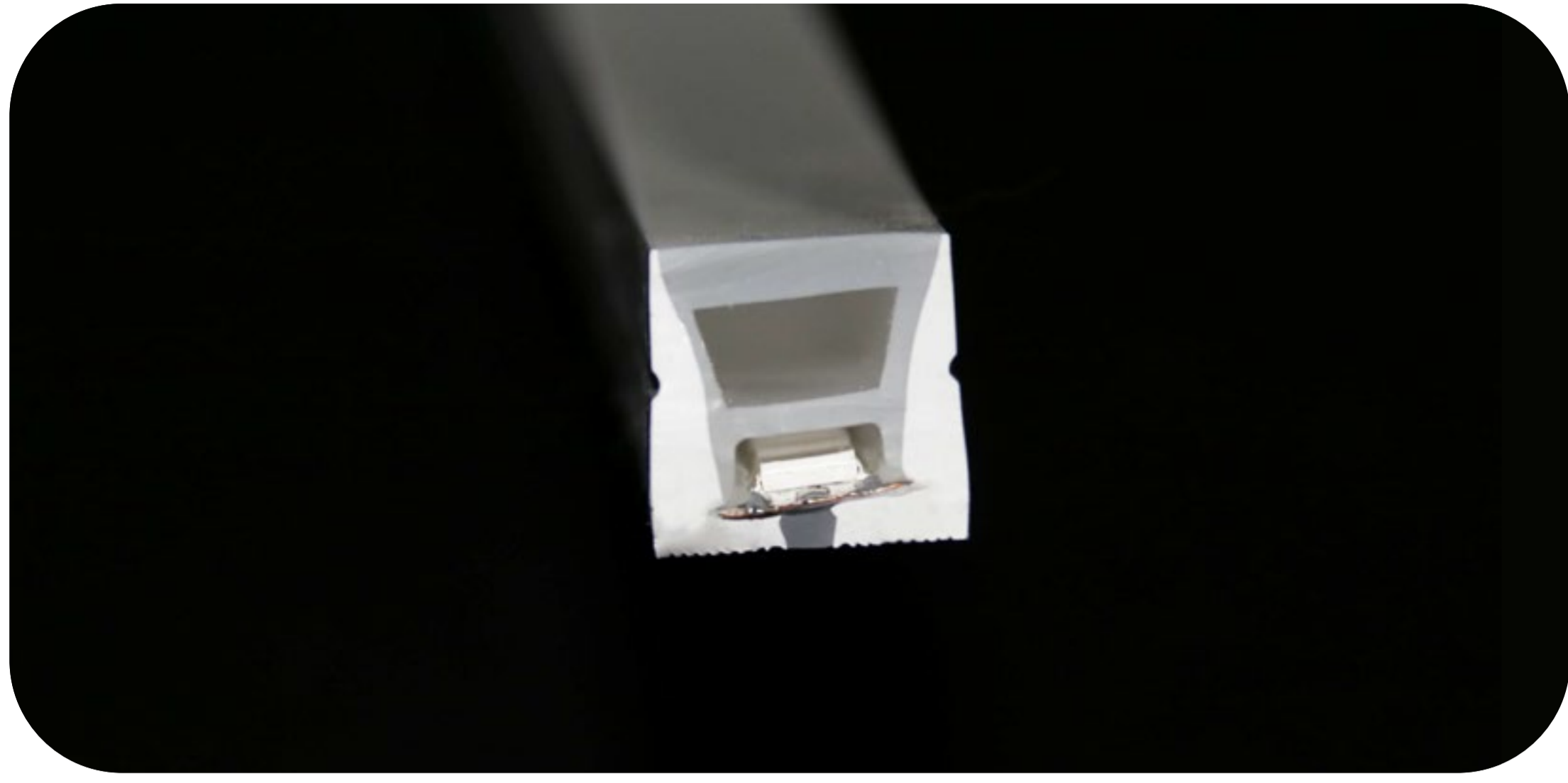
Ele. Parameters
Voltage:U=12.000V Current:I=1.5840A
Power:P=19.04W Power Factor:PF=1.000

Reliability test

TEST CATEGORY	TEST ITEMS	STANDARD/VALUE
Optical Test	Spectrum Analysis	IES LM 79(CCT, lumen, CRI, SDCM, XY, wavelength)
	Photometric Distribution	IES LM 79(lumen intensity distribution & Lux diagram)
	Lumen Maintenance & Lifetime	IES LM84 & IES TM 28
Temperature Test	Nomal Temperature Test -25°C	UL 1598 & UL2388 & IEC60598-1 & IEC60598-2-21
	Abnormal Operation Test -70°C	UL 1598 & UL2388 & IEC60598-1 & IEC60598-2-21
Physics Test	Bending Test	Manufacturer-defined, 1000 cycles
	Swing Test	UL2388, >750 cycles
	Tensile Test	Manufacturer-defined, >the weight of light in max. running length by double ends feed
	Twist Test	Manufacturer-defined, 200 cycles
	IK08	IEC62262
Weathering Test	Ball Impact	UL 1598 & UL2388 & IEC60598-1 & IEC60598-2-21
	Swimming Pool Water Immersion Test	GB9667, PH6.8-7.6, free chlorine 0.3-0.6mg/L
	Sea Water Immersion Test	IEC 60598-1, Salinity 4%
	Salt Spray Test	IEC68-2-11
Environment Test	Outdoor Exposure	Manufacturer-defined
	Flame Resistant Test	UL94
	UV Exposure Test	ASTMG154, UVA@340nm
	IPX5 IPX6 IPX7 IPX8	IEC60529
	Temperature Shock Test	Manufacturer-defined, -40°C-60°C(typical temperature range)
	Constant Temperature Test	Manufacturer-defined, 70°C(typical temperature range)

Wilgex specializes in engineering LED flexible neon lights and offers both standard and customized services. If you have specific requirements, please contact our sales department.

Four-star quality assurance



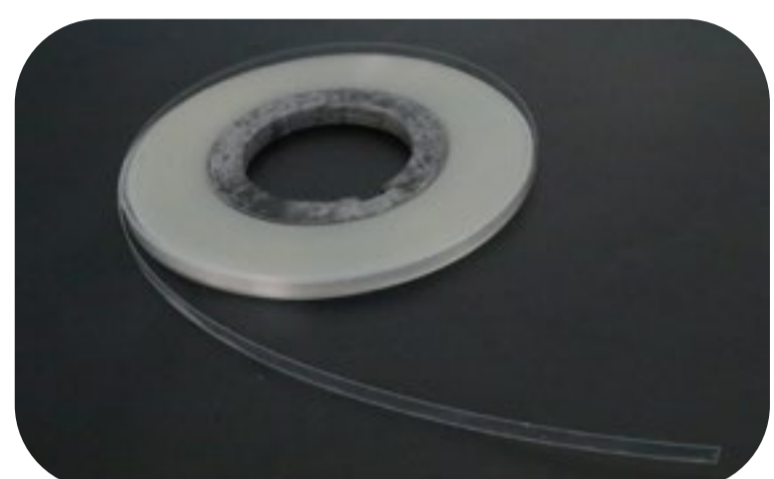
Unique Design



★ Enhance thickness FPC design principle



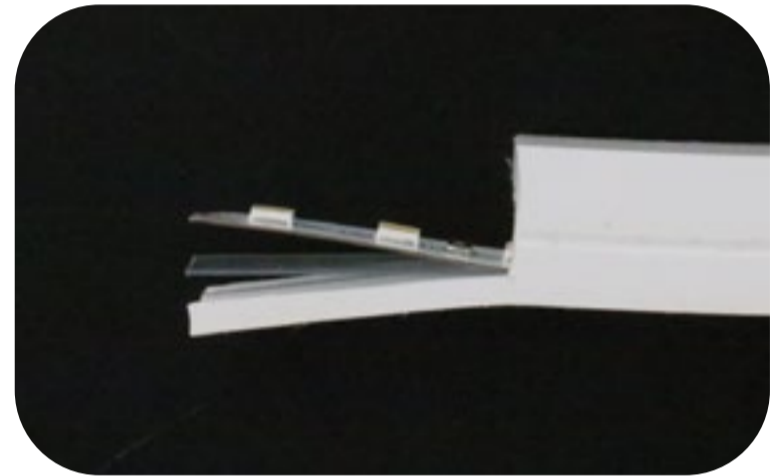
★ LED anti-death design



★ Add a break protection layer



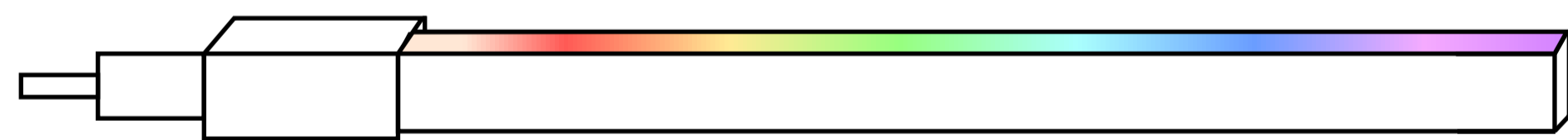
★ Solid extrusion design for exterior



Features:

1. Size: The bigger size of this LED Neon Flex is 16x16mm (Width x Height) Square Type.
2. High-density LED chips: The strips have a high density of LED chips, resulting in a brighter and more uniform light output
3. Flexible and bendable: Can be bent into various shapes and designs
4. Energy-efficient: Uses less power compared to traditional neon lights
5. Long lifespan: Can last up to 50,000 hours
6. Low heat emission: Does not emit as much heat as traditional neon lights
7. Wide color options: Available in a wide range of colors
8. Easy to install: Can be cut and connected to fit any desired length and shape
9. Durable and weather-resistant: Can withstand various weather conditions
10. Safe to use: Low voltage and does not contain hazardous materials like mercury
11. Cost-effective: Offers a cost-effective alternative to traditional neon lights.

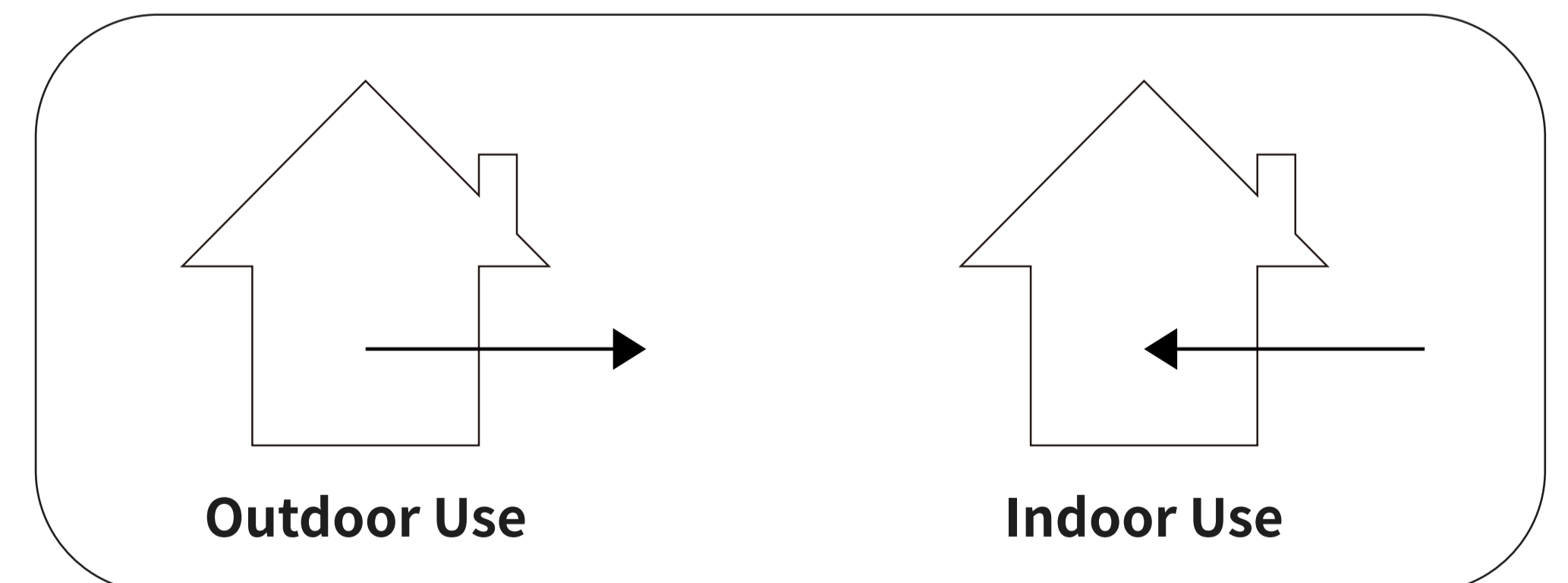
Wide Color Options



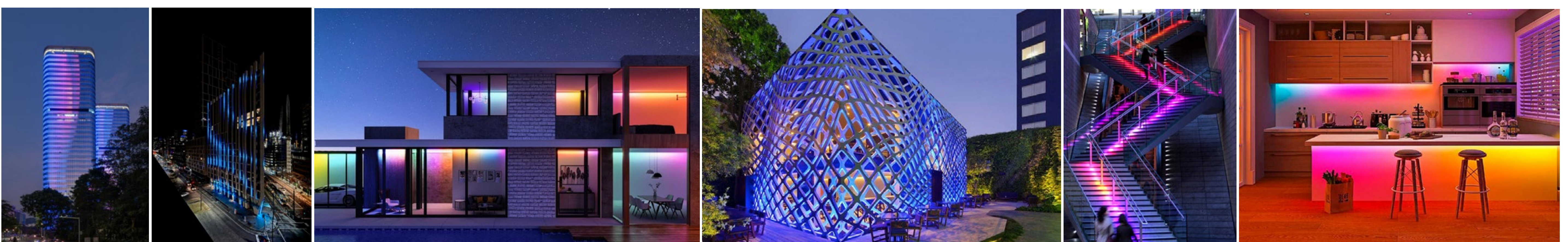
Dynamic Pixel RGBW

Recommended Usage Scenarios :

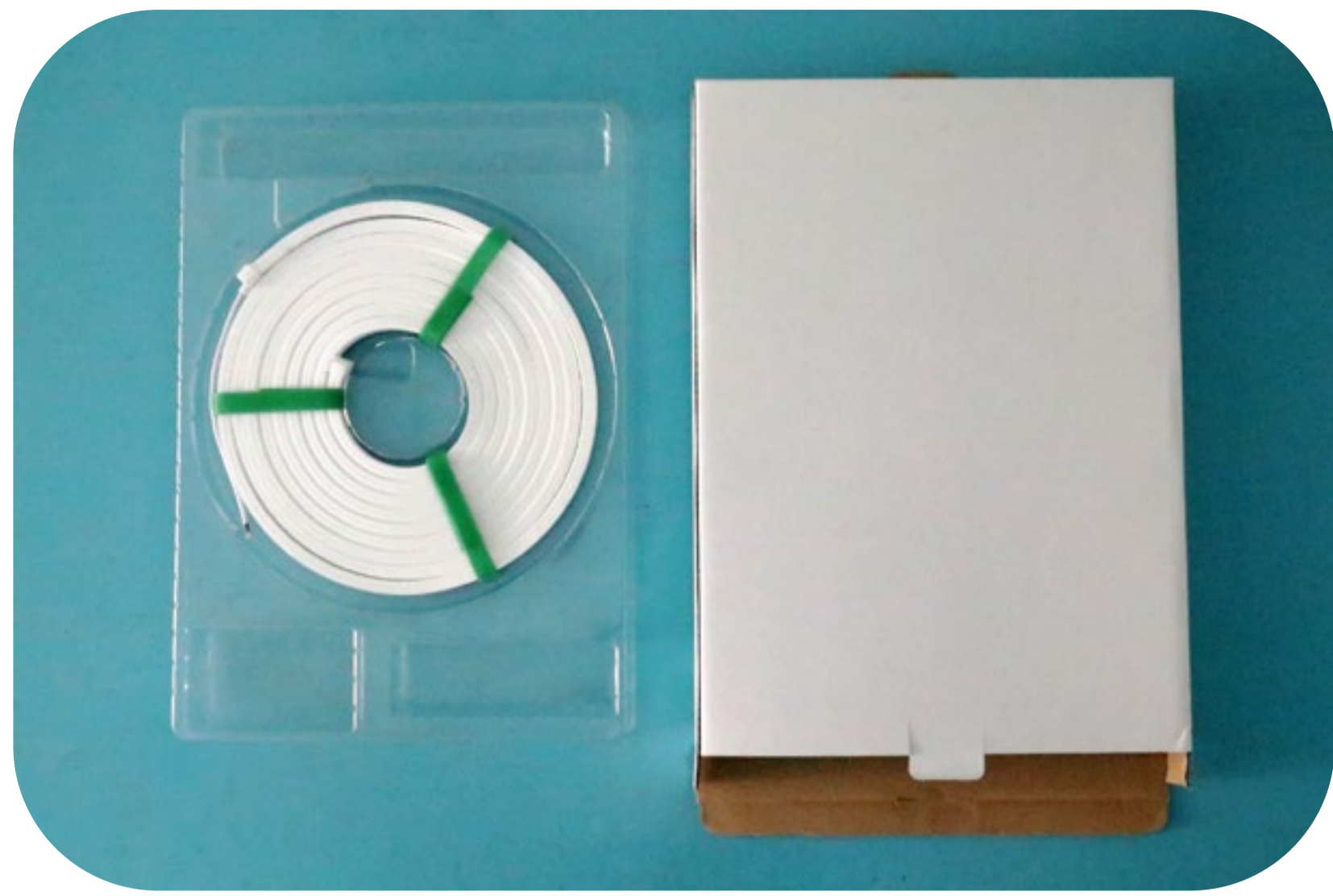
1. Indoor and outdoor architectural lighting decoration
2. Landscape lighting
3. Advertising signage lighting
4. Stage and theater lighting
5. Car and motorcycle lighting
6. Holiday and event lighting decoration
7. Cove lighting
8. Edge-lit lighting
9. Retail and display lighting
10. Restaurant and bar lighting



Please note that these are only recommended usage scenarios and it is important to consult the product specifications and guidelines before using flexible LED neon light strips in any application.



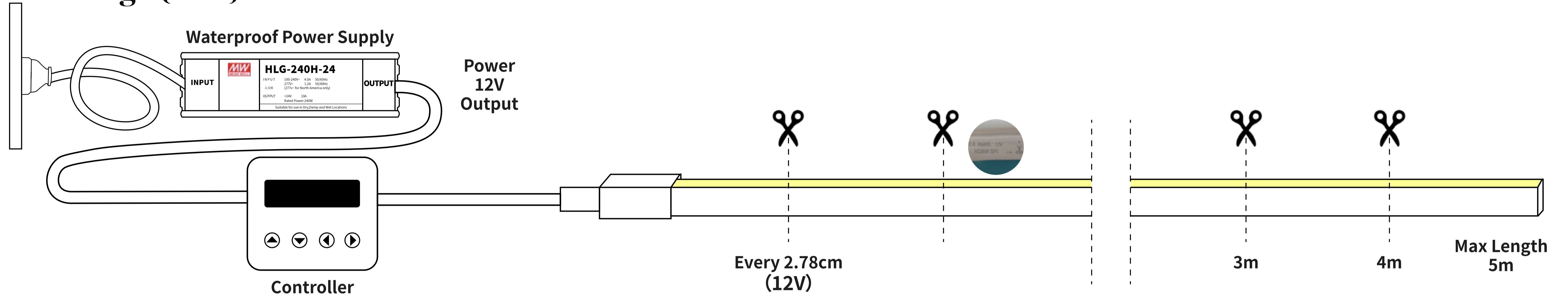
Package



Packing Method : Blister + White box
 Quantity / Box : 5 meters / reel
 Gross Weight : 1.32 Kg (2.91LB)
 Size of outer box : 46.2 x 33 x 4cm
 CBM : 0.006 m³ / box

Mini Cutting Length & Connection Length

• Voltage (12V)



Controller



SP108E LED WIFI Controller

IP68 (Injection Mould Connector/Seamless Connection)

• Voltage (12V)



SIDE EXIT (R)



SIDE EXIT (L)



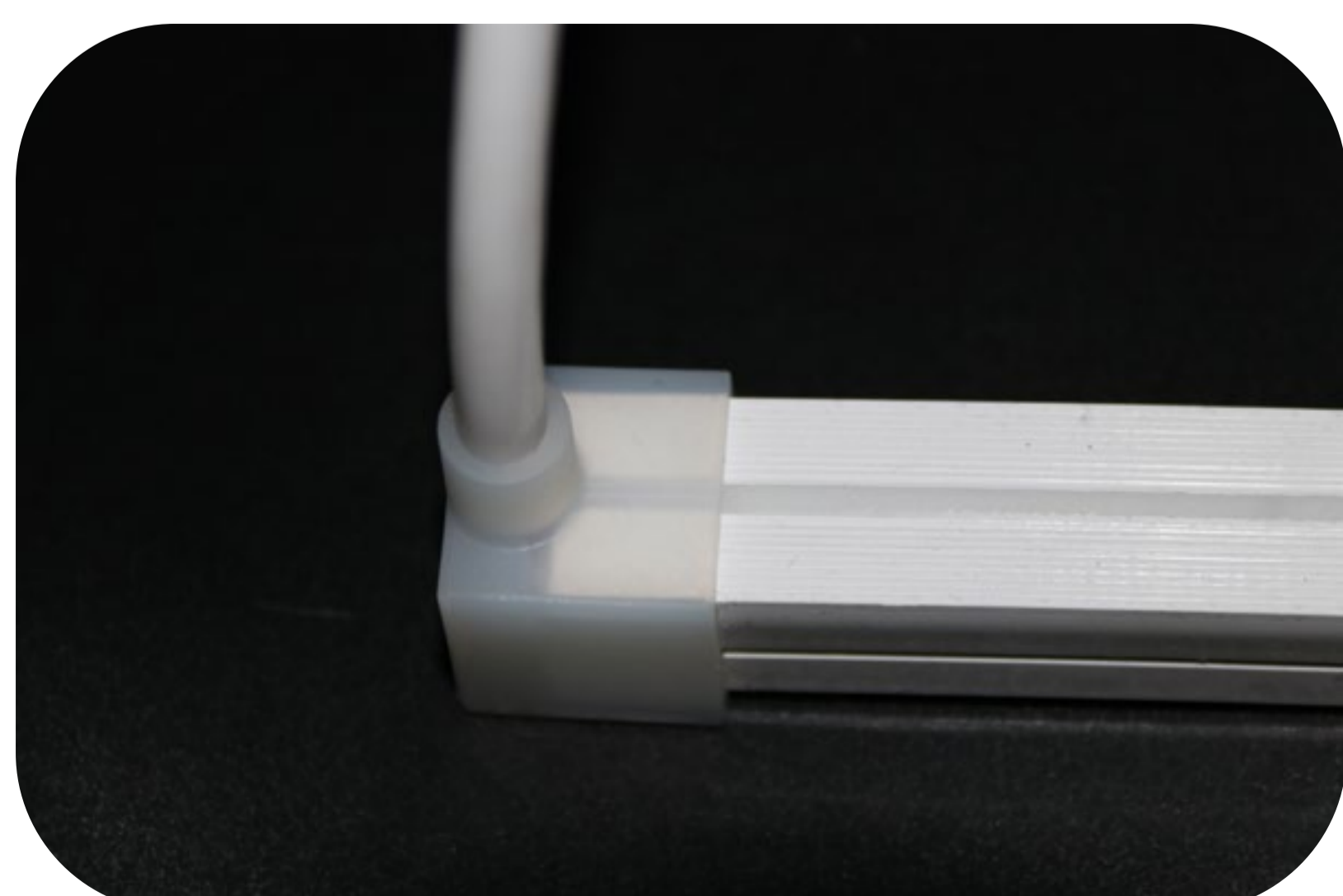
STRAIGHT EXIT



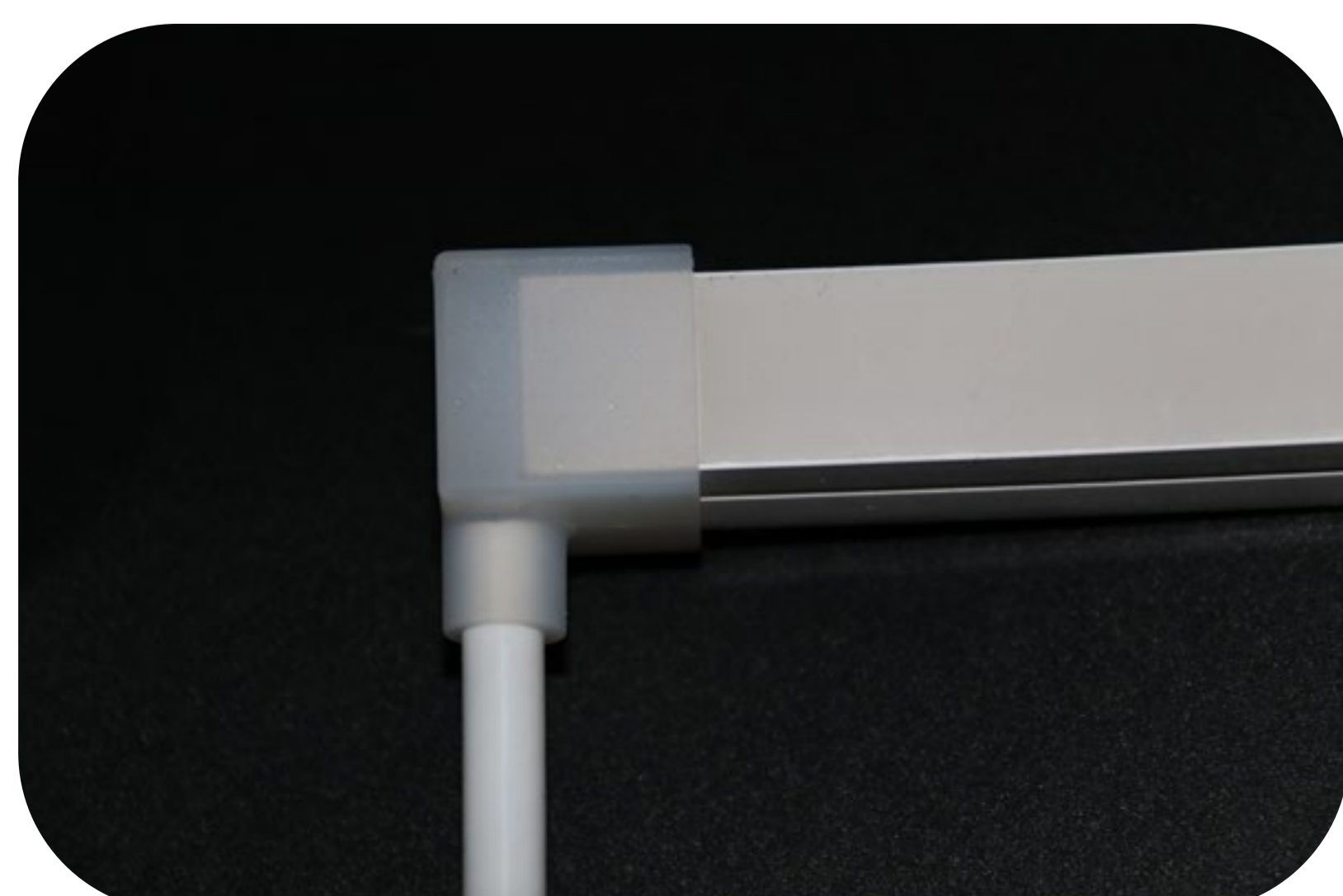
BOTTOM EXIT

IP65 (DIY Connector)

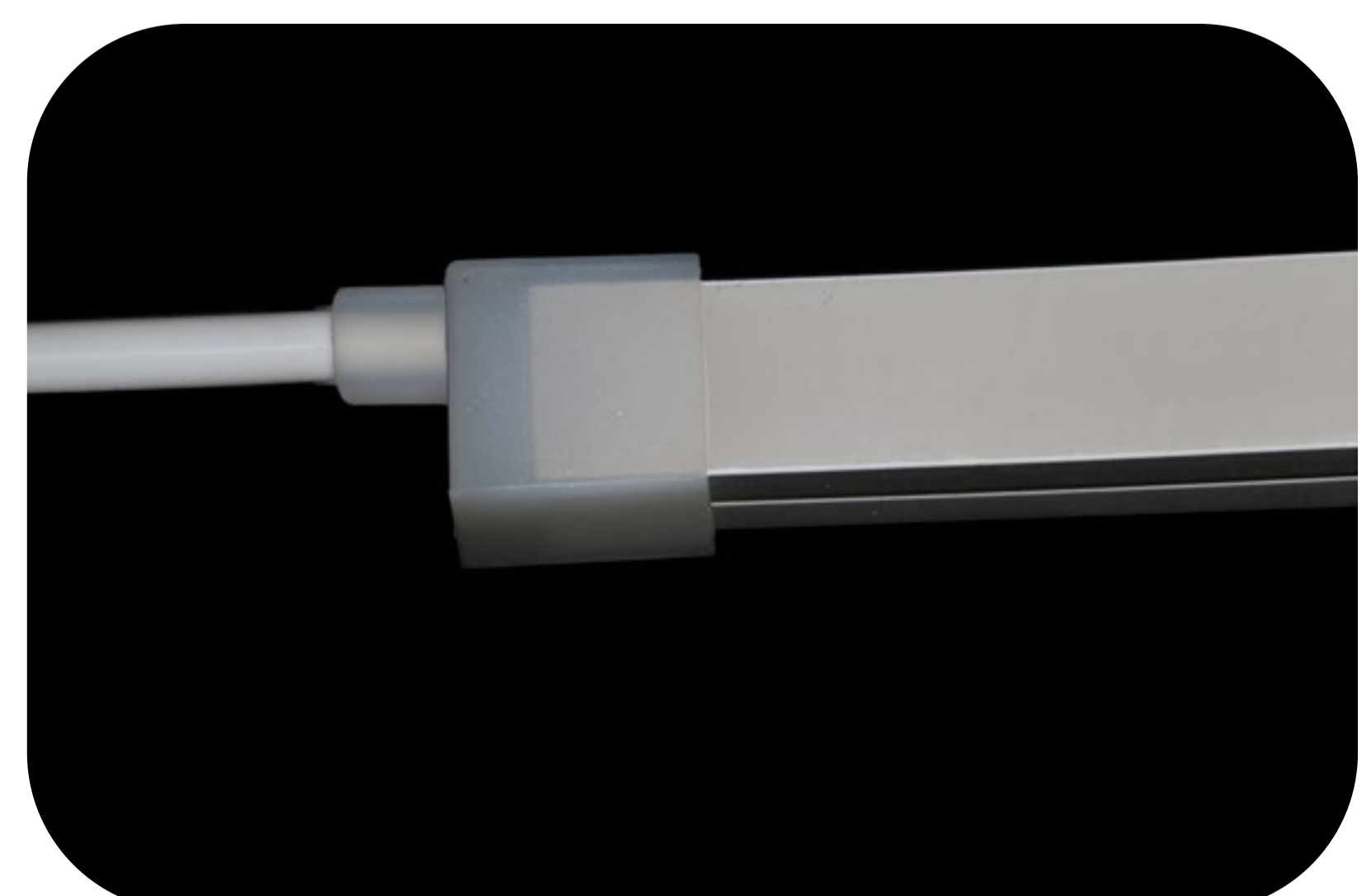
• Voltage (12V)



BOTTOM EXIT

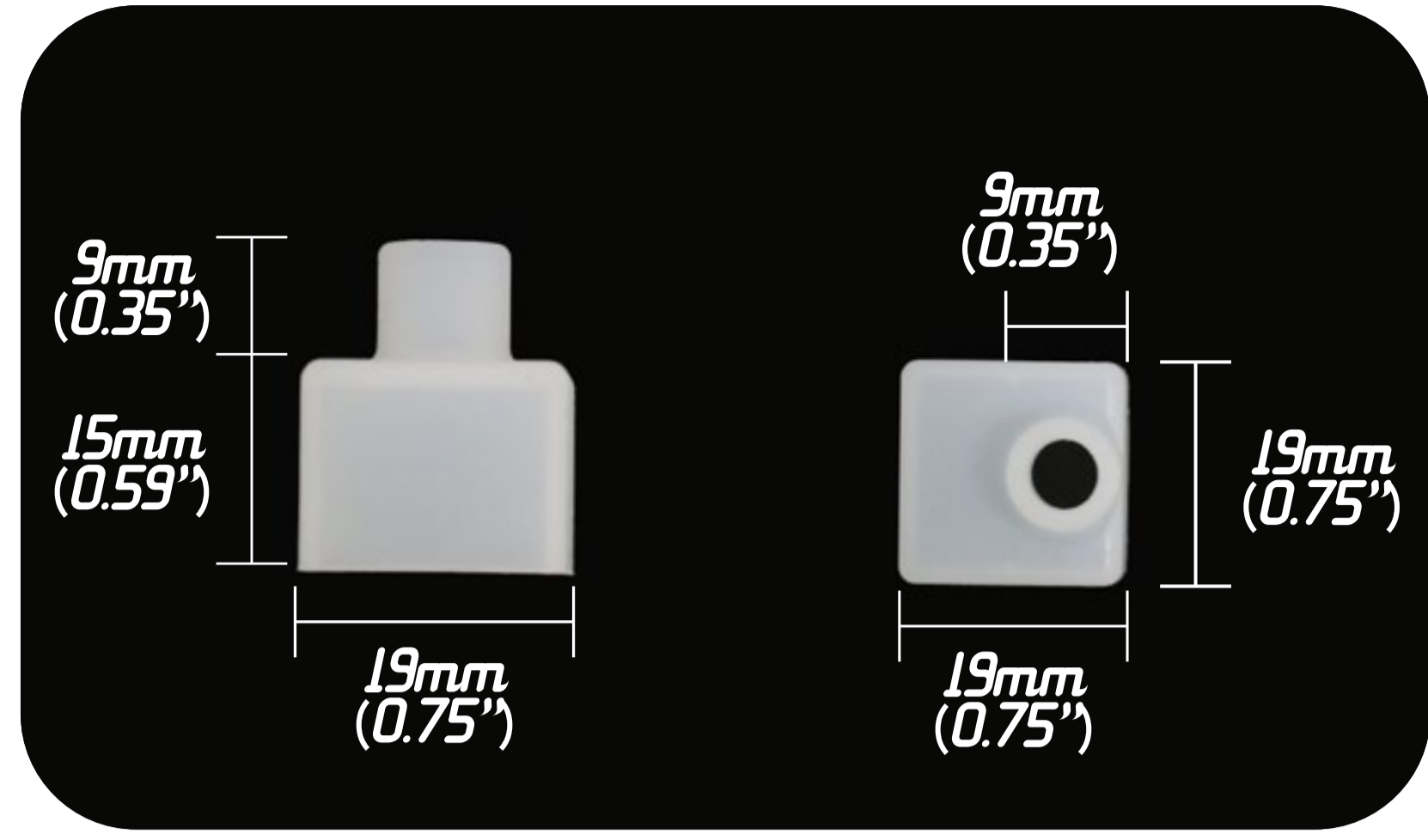


SIDE EXIT

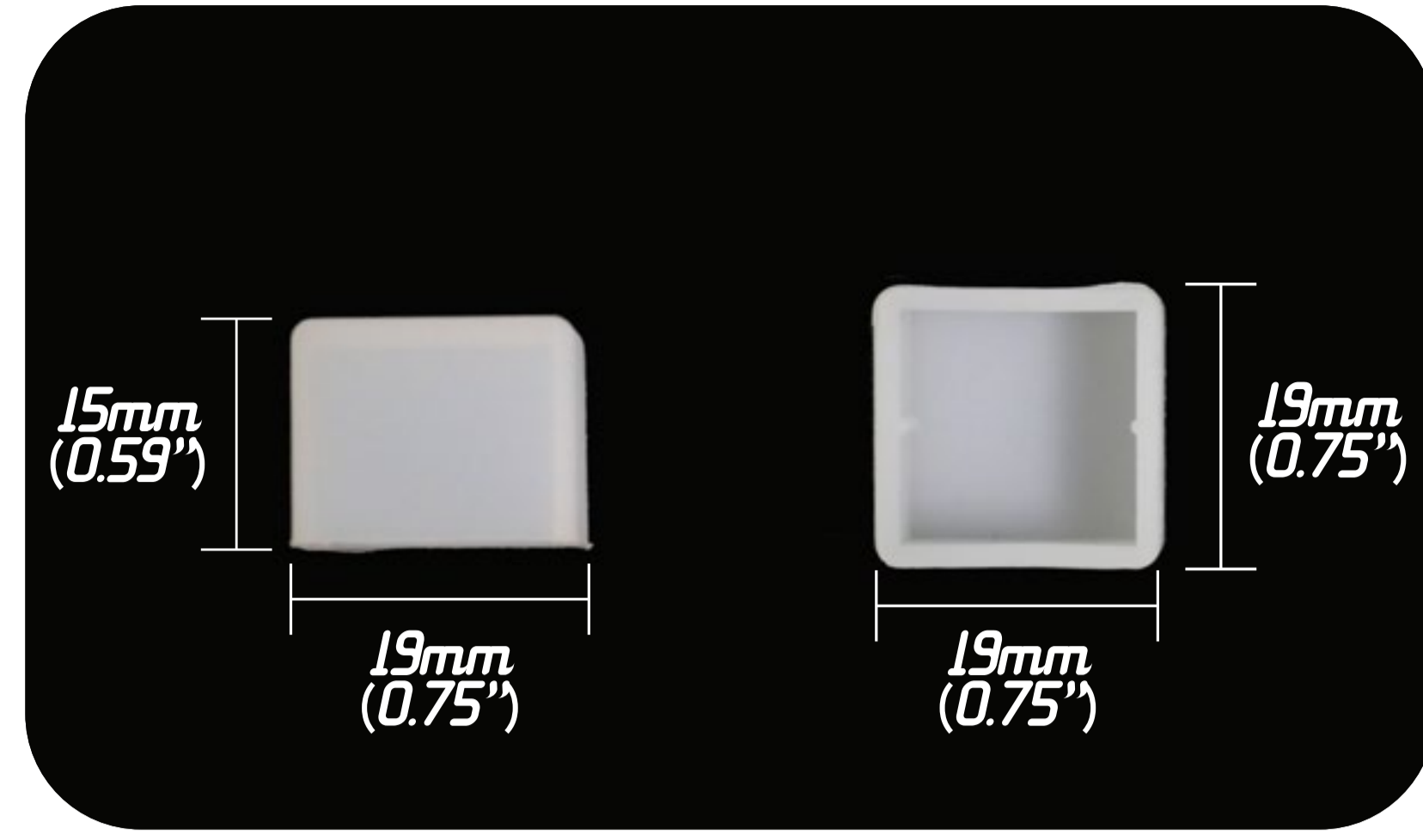


STRAIGHT EXIT

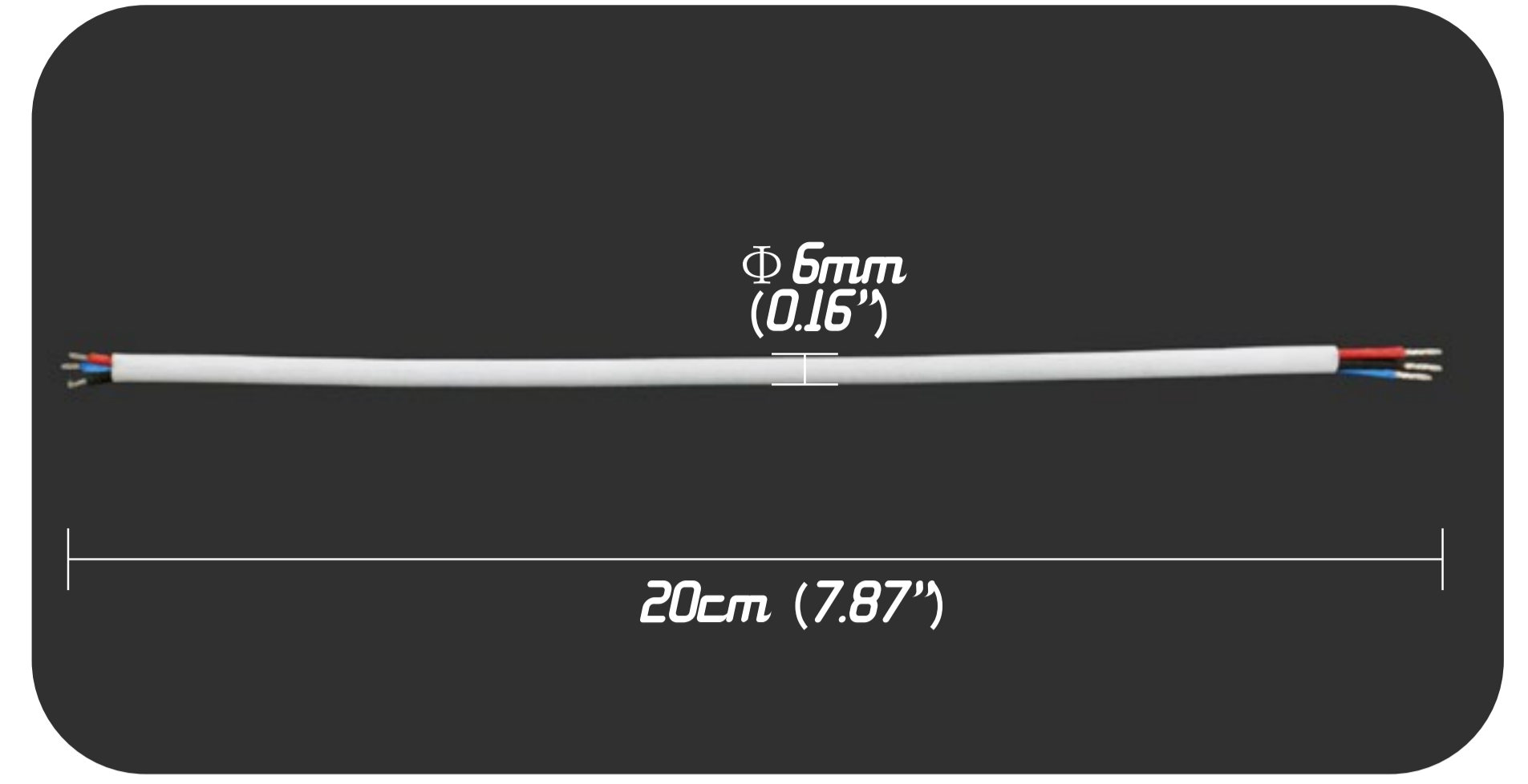
• Part Details



FRONT CONNECTION FITTING

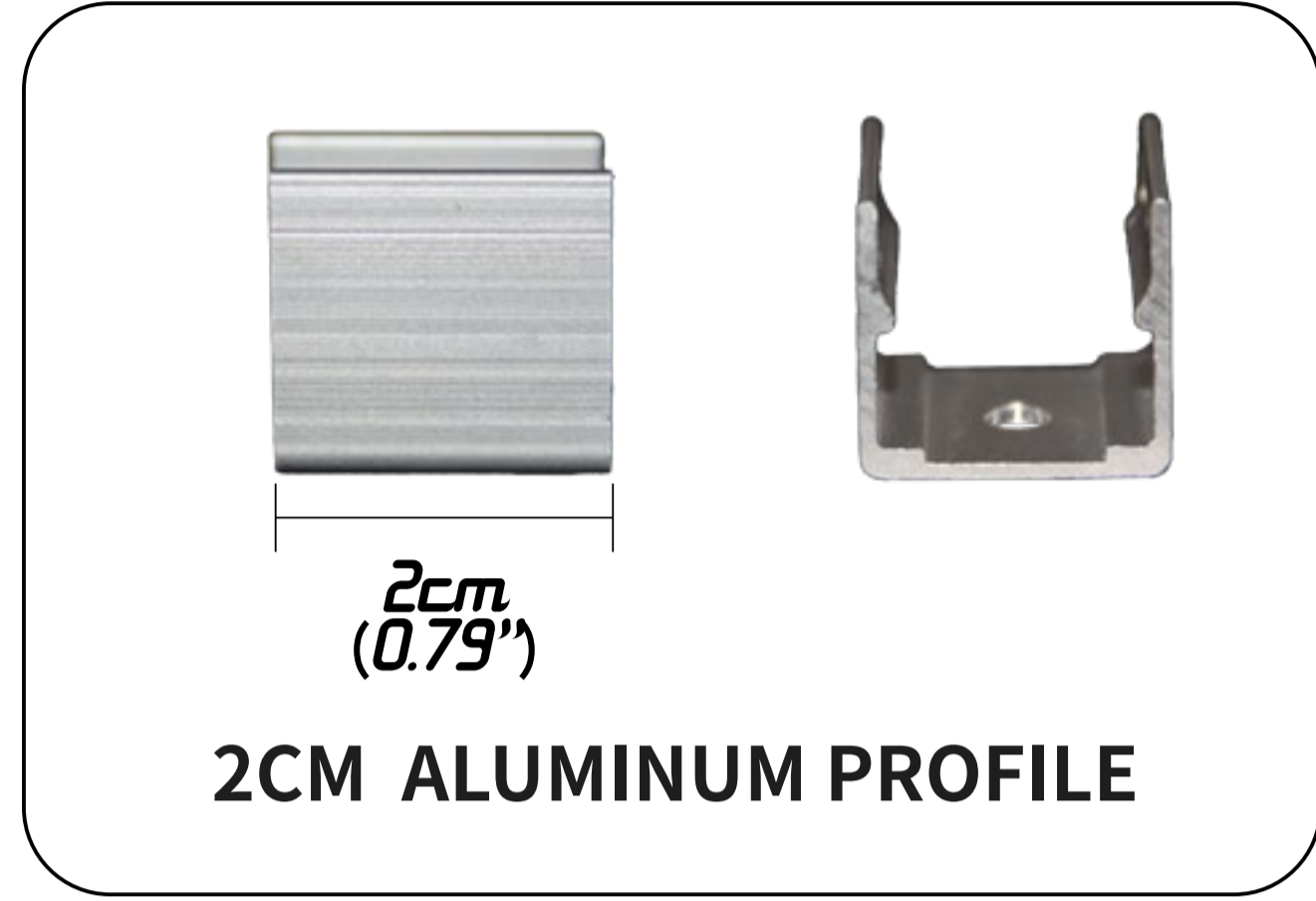


TAIL FITTING



SILICONE POWER WIRE (3 CORDS)

Mounting Aluminum Channel



2CM ALUMINUM PROFILE



ALUMINUM CHANNEL (1M)

