

Wilgex®

Professional LED Light Manufacturer
Since 2008

www.wilgex-led.com

(86) 769-28820681

info@wilgex-led.com

15x26mm DOME/FLAT

LED NEON FLEX

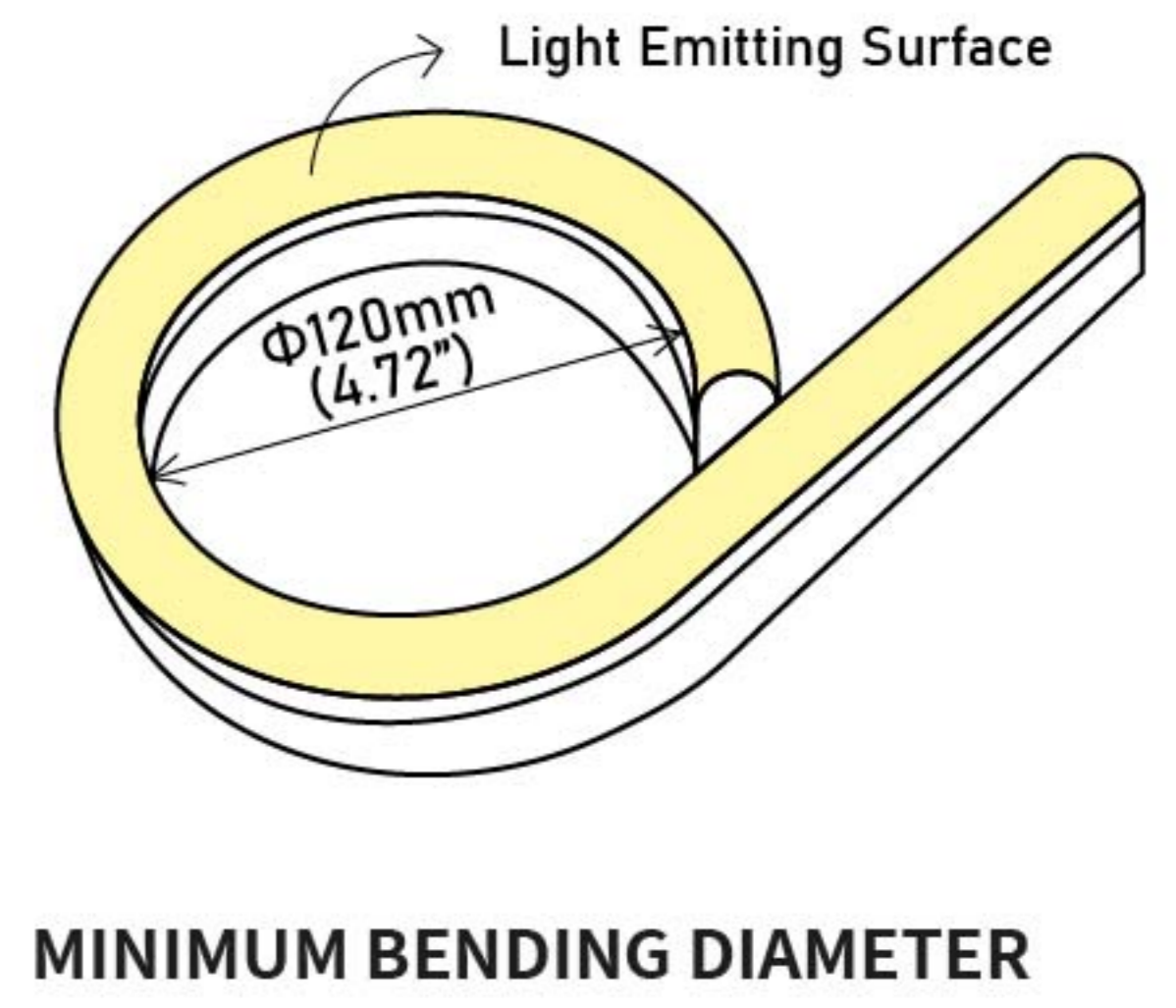
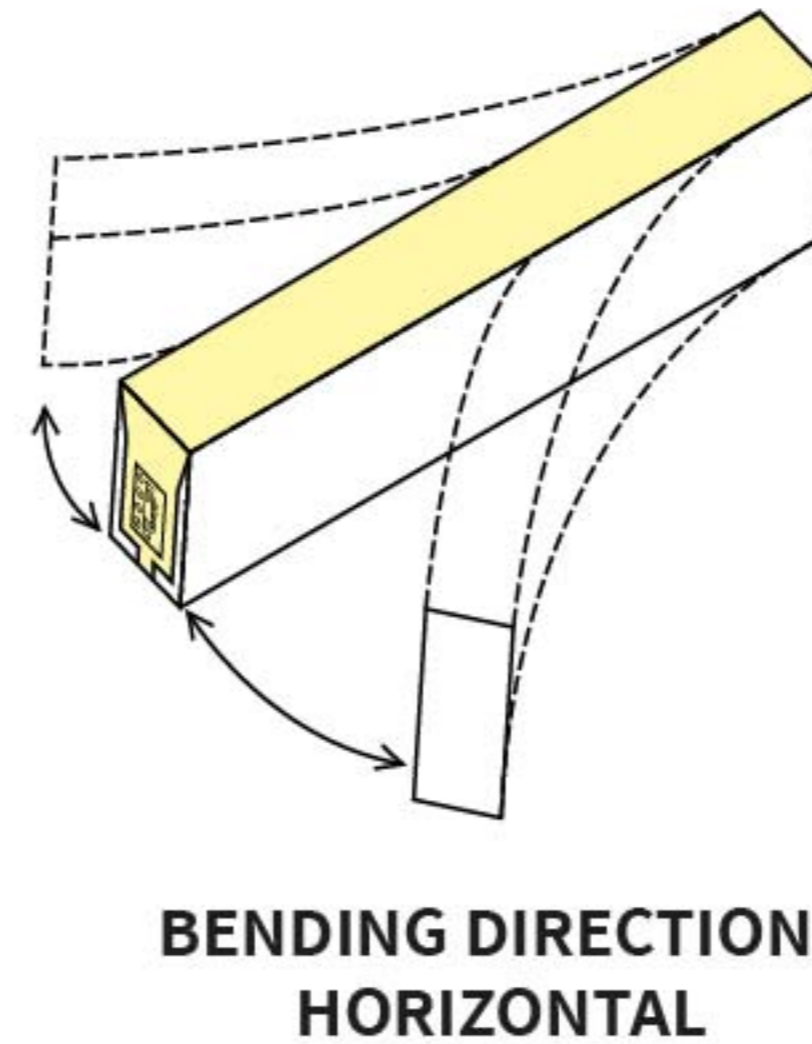
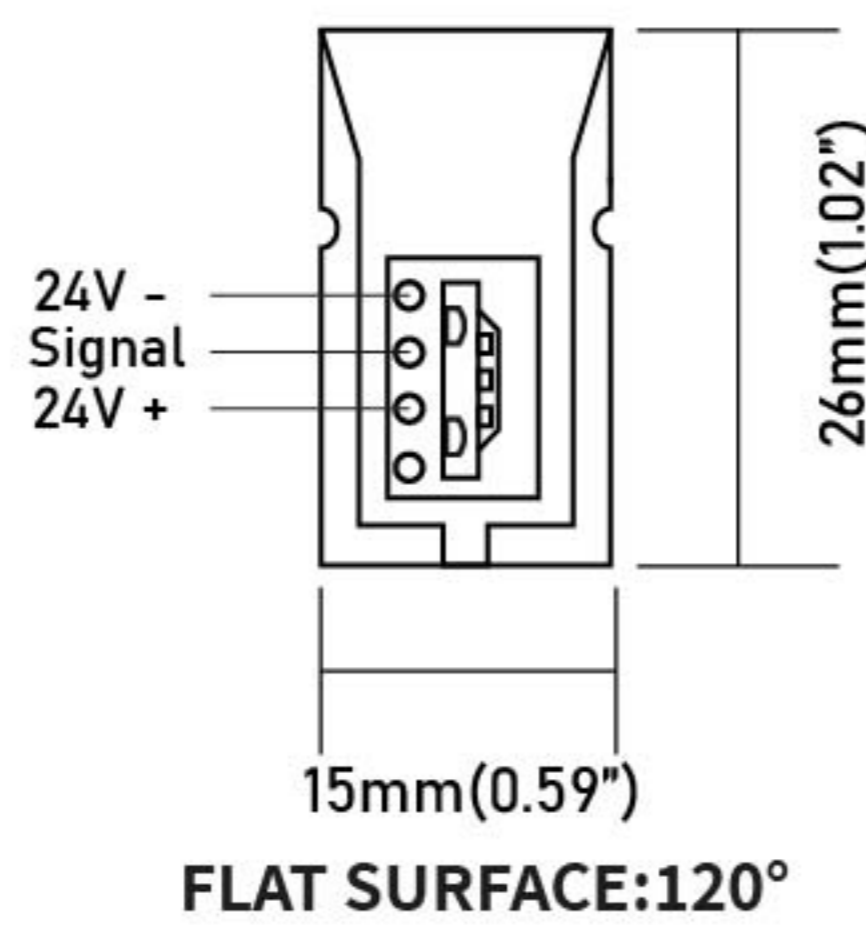
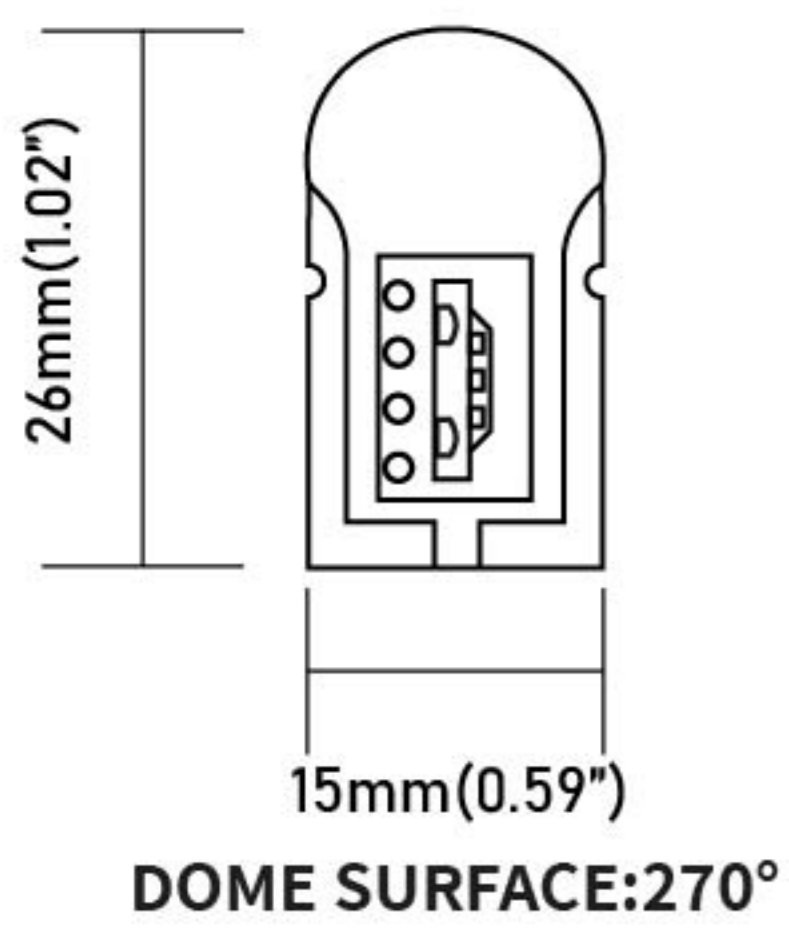
DYNAMIC PIXEL RGB COLOR

24V

SKU:WJ-PNF-1526-D-RGB-24V



Structural Drawing & Bending Direction

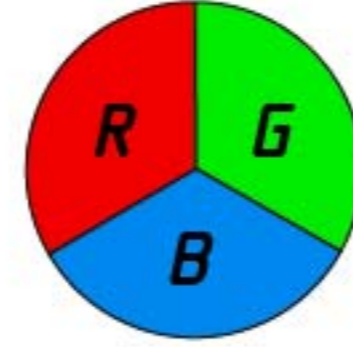


Certifications



Technical Data

SPI-RGB



| | |
|----------------------------|---|
| Color Temp | Red: 625.7nm Green: 524.8nm Blue: 470.5nm White: 6500K (Color mixing) |
| Lumen/m (24V Dome) | Red: 39.49 lm Green: 77.89 lm Blue: 15.42 lm White: 129.32 lm (Color mixing) |
| LED Quantity(m) | 60 LEDs + 10 ICs IC code: SM16703P (compatible with all ICs and controllers in the WS2811, 1804, and 1809 series) |

| | |
|---------------------------|---|
| Watts/m(24V Dome) | Red: 4.84 W Green: 4.89 W Blue: 5.17 W White: 11.83 W (Color mixing) |
| Unit Cut(24V) | 10cm |
| Max Loading(24V) | 20m |

Optical Parameter Chart for Integrating Sphere Testing

Chroma Parameters
Chro. Coor.: x=0.2659 y=0.2622 u=0.1894 v=0.2802 duvw=-0.0042
CCT: Tc=15540K Dominant Wave.: 476.9nm Purity: 29.7%
Flux Ratio: R=27.4%,G=62.7%,B=10.0% Peak Wave.: 631.9nm Half Width: 16.5nm

Rendering Index: Ra= 12.7
R1 =-30.6 R2 =14.0 R3 =59.8 R4 =41.2 R5 =39.8 R6 =37.8 R7 =15.4
R8 =-75.6 R9 =-330.2 R10=-82.3 R11=20.6 R12=45.3 R13=-29.2 R14=77.5
R15=-52.7

Photo Parameters
Flux: 129.46lm Effl.: 10.9lm/W Radiant: 546.5mW Iv: 0.0mod

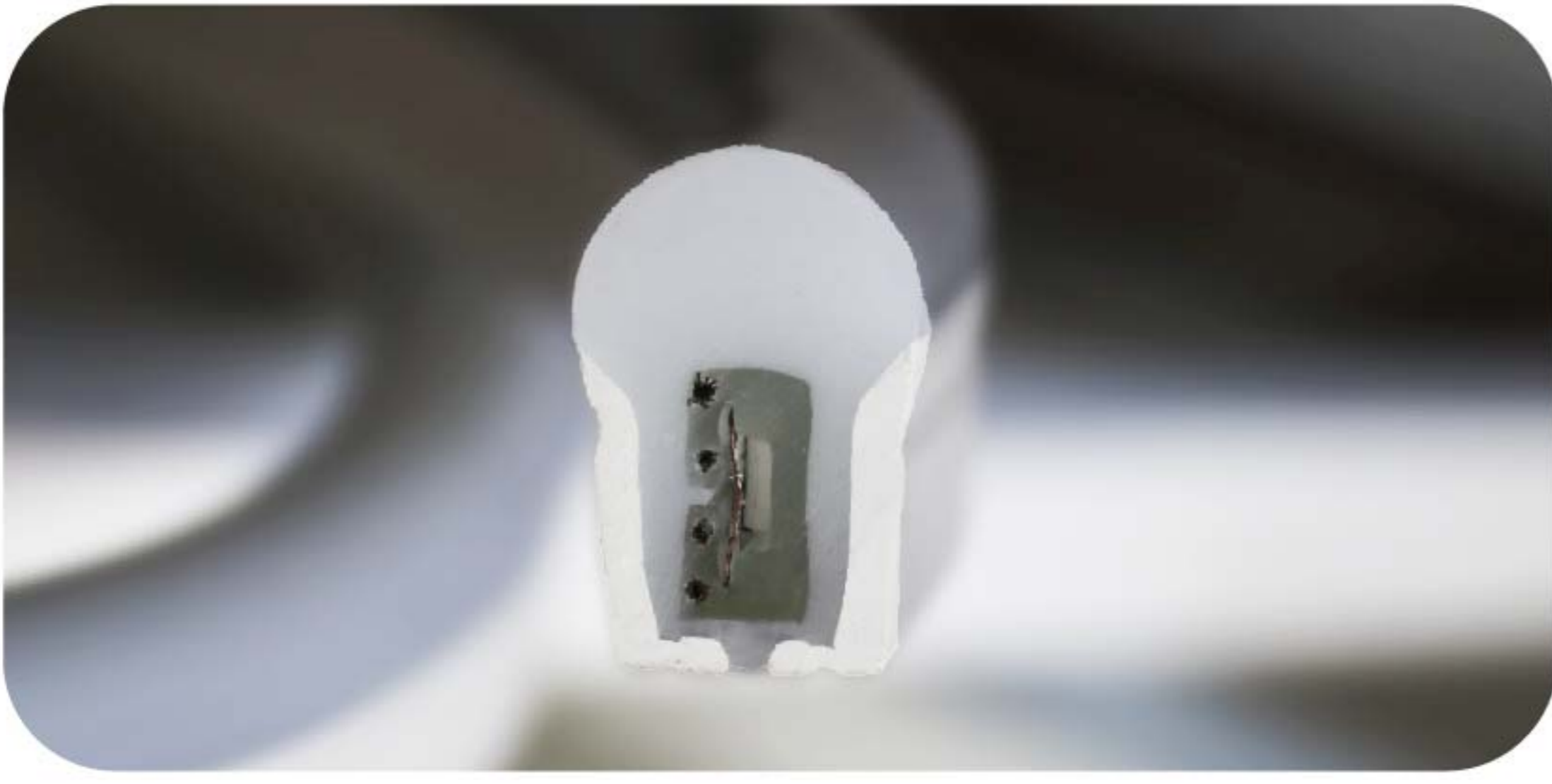
Ele. Parameters
Voltage: U=24.000V Current: I=0.4930A
Power: P=11.84W Power Factor: PF=1.000

Reliability test

| TEST CATEGORY | TEST ITEMS | STANDARD/VALUE |
|------------------------|------------------------------------|---|
| Optical Test | Spectrum Analysis | IES LM 79(CCT, lumen, CRI, SDCM, XY, wavelength) |
| | Photometric Distribution | IES LM 79(lumen intensity distribution & Lux diagram) |
| Temperature Test | Lumen Maintenance & Lifetime | IES LM84 & IES TM 28 |
| | Nomal Temperature Test -25°C | UL 1598 & UL2388 & IEC60598-1 & IEC60598-2-21 |
| Physics Test | Abnormal Operation Test -70°C | UL 1598 & UL2388 & IEC60598-1 & IEC60598-2-21 |
| | Bending Test | Manufacturer-defined, 1000 cycles |
| | Swing Test | UL2388, >750 cycles |
| | Tensile Test | Manufacturer-defined, >the weight of light in max. running length by double ends feed |
| | Twist Test | Manufacturer-defined, 200 cycles |
| Weathering Test | IK08 | IEC62262 |
| | Ball Impact | UL 1598 & UL2388 & IEC60598-1 & IEC60598-2-21 |
| | Swimming Pool Water Immersion Test | GB9667, PH6.8-7.6, free chlorine 0.3-0.6mg/L |
| | Sea Water Immersion Test | IEC 60598-1, Salinity 4% |
| Environment Test | Salt Spray Test | IEC68-2-11 |
| | Outdoor Exposure | Manufacturer-defined |
| | Flame Resistant Test | UL94 |
| | UV Exposure Test | ASTMG154, UVA@340nm |
| | IPX5 IPX6 IPX7 IPX8 | IEC60529 |
| Temperature Shock Test | Temperature Shock Test | Manufacturer-defined, -40°C-60°C(typical temperature range) |
| | Constant Temperature Test | Manufacturer-defined, 70°C(typical temperature range) |

Wilgex specializes in engineering LED flexible neon lights and offers both standard and customized services. If you have specific requirements, please contact our sales department.

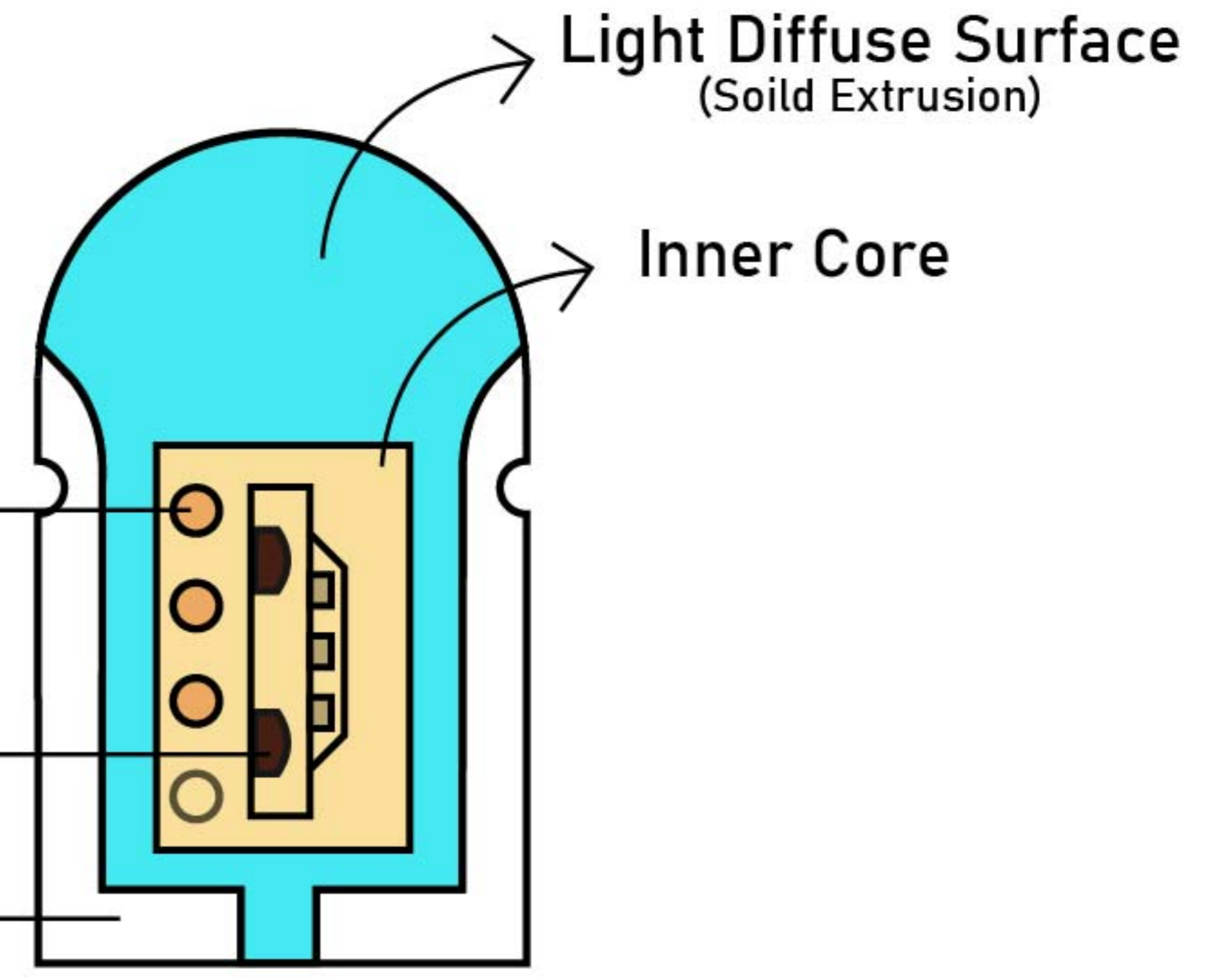
Five-star quality assurance



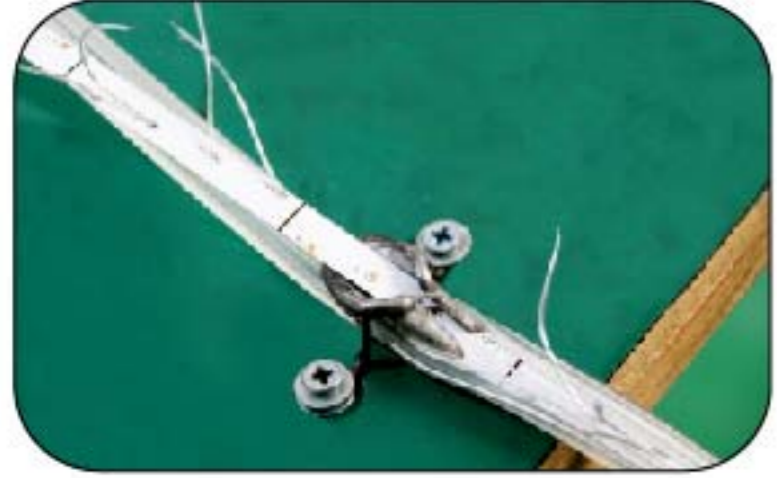
22 AWG tinned copper wire
(22X0.15mm)

Enhance FPCB

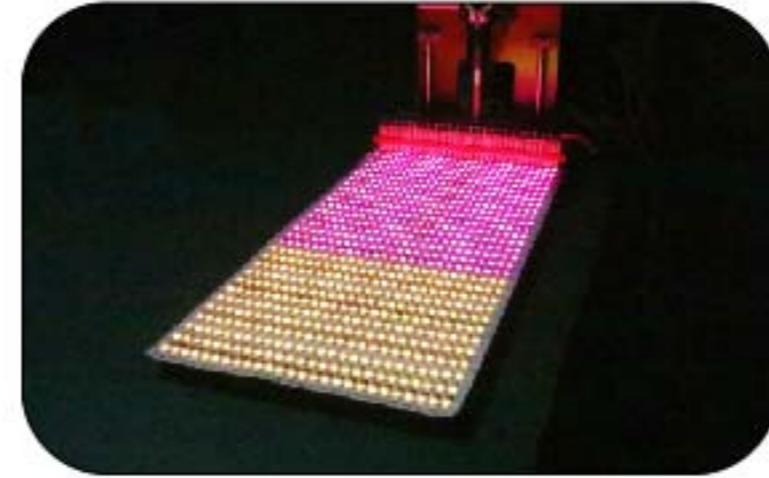
Outer Layer



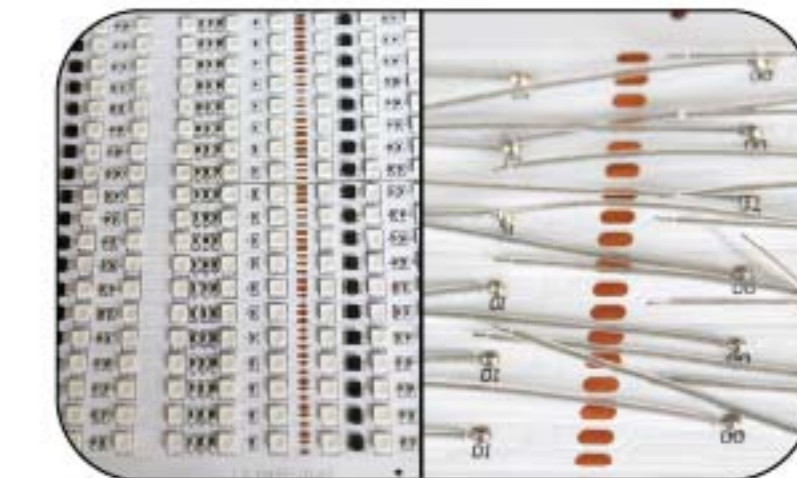
Unique Design



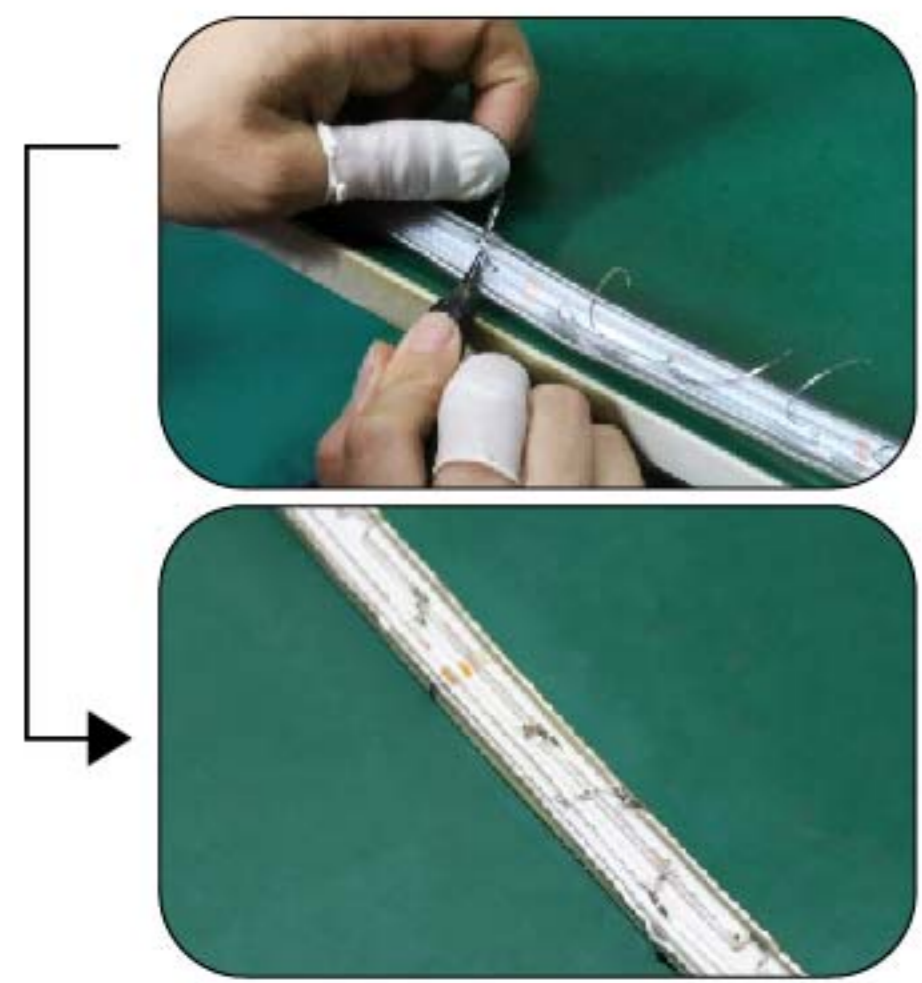
★ Dual Power Supply Design



★ Enhance thickness
★ FPCB design principle



★ LED anti-death design



★ Stronger inner core protection design



★ Solid extrusion design for exterior

Features:

1. Size: The bigger size of this LED Neon Flex is 15x26mm (Width x Height)
2. High-density LED chips: The strips have a high density of LED chips, resulting in a brighter and more uniform light output
3. Flexible and bendable: Can be bent into various shapes and designs
4. Energy-efficient: Uses less power compared to traditional neon lights
5. Long lifespan: Can last up to 50,000 hours
6. Low heat emission: Does not emit as much heat as traditional neon lights
7. Wide color options: Available in a wide range of colors
8. Easy to install: Can be cut and connected to fit any desired length and shape
9. Durable and weather-resistant: Can withstand various weather conditions
10. Safe to use: Low voltage and does not contain hazardous materials like mercury
11. Cost-effective: Offers a cost-effective alternative to traditional neon lights.

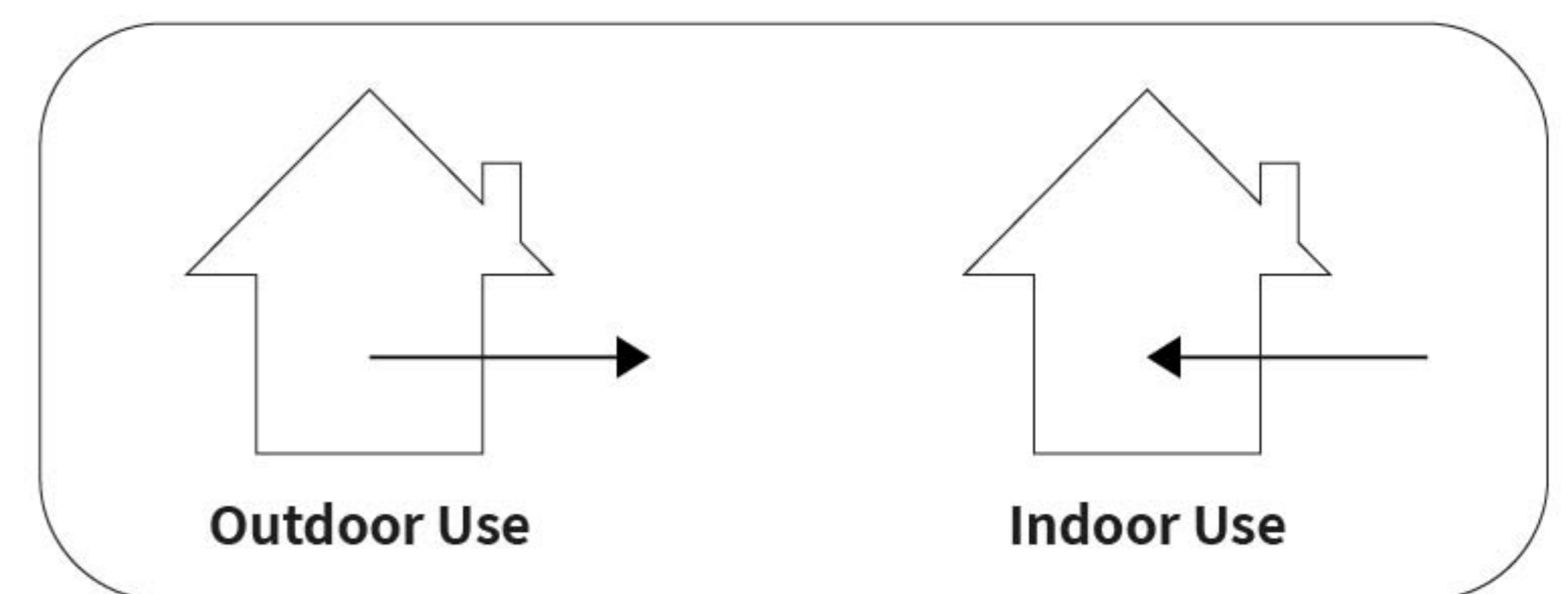
Wide Color Options



Dynamic Pixel RGB

Recommended Usage Scenarios :

1. Indoor and outdoor architectural lighting decoration
2. Landscape lighting
3. Advertising signage lighting
4. Stage and theater lighting
5. Car and motorcycle lighting
6. Holiday and event lighting decoration
7. Cove lighting
8. Edge-lit lighting
9. Retail and display lighting
10. Restaurant and bar lighting



Please note that these are only recommended usage scenarios and it is important to consult the product specifications and guidelines before using flexible LED neon light strips in any application.



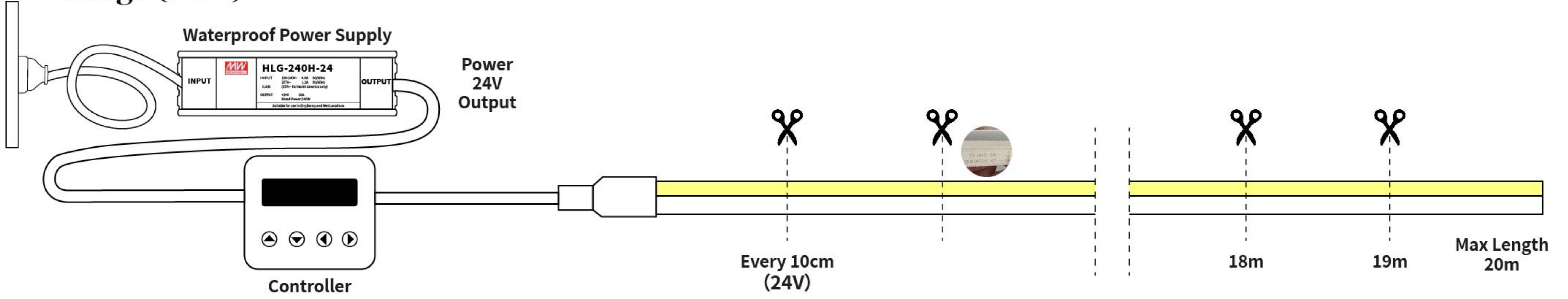
Package



Packing Method : Reel + boardcards
 Quantity / Box : 50 meters / reel
 Gross Weight : 25 Kg (55.16LB)
 Size of outer box : 34 x 34 x 40cm
 CBM : 0.046 m³ / box

Mini Cutting Length & Connection Length

• Voltage (24V)



Controller Selection



HC100
Updated version
SPI magic color controller

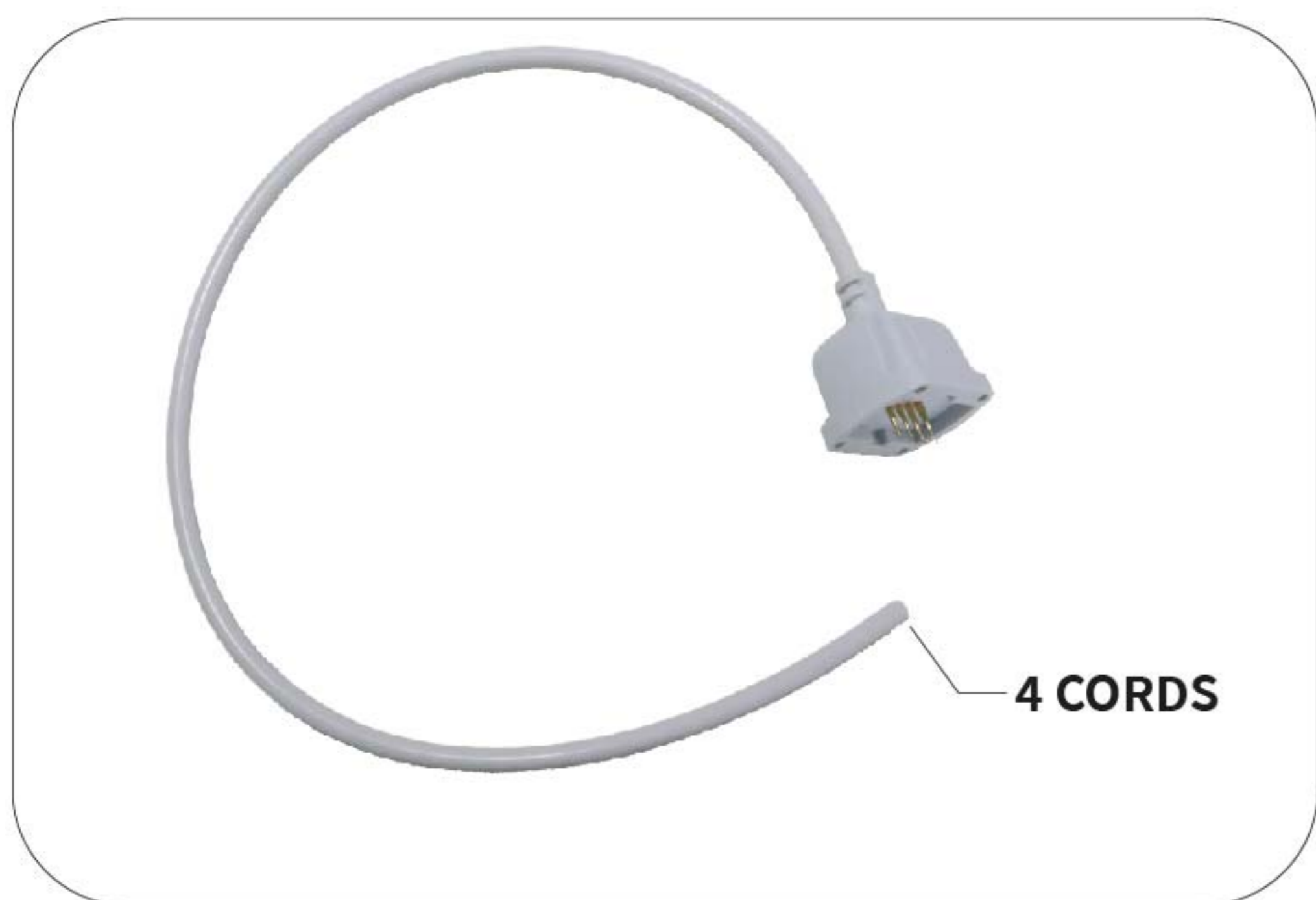


LT-200
LED Digital Controller

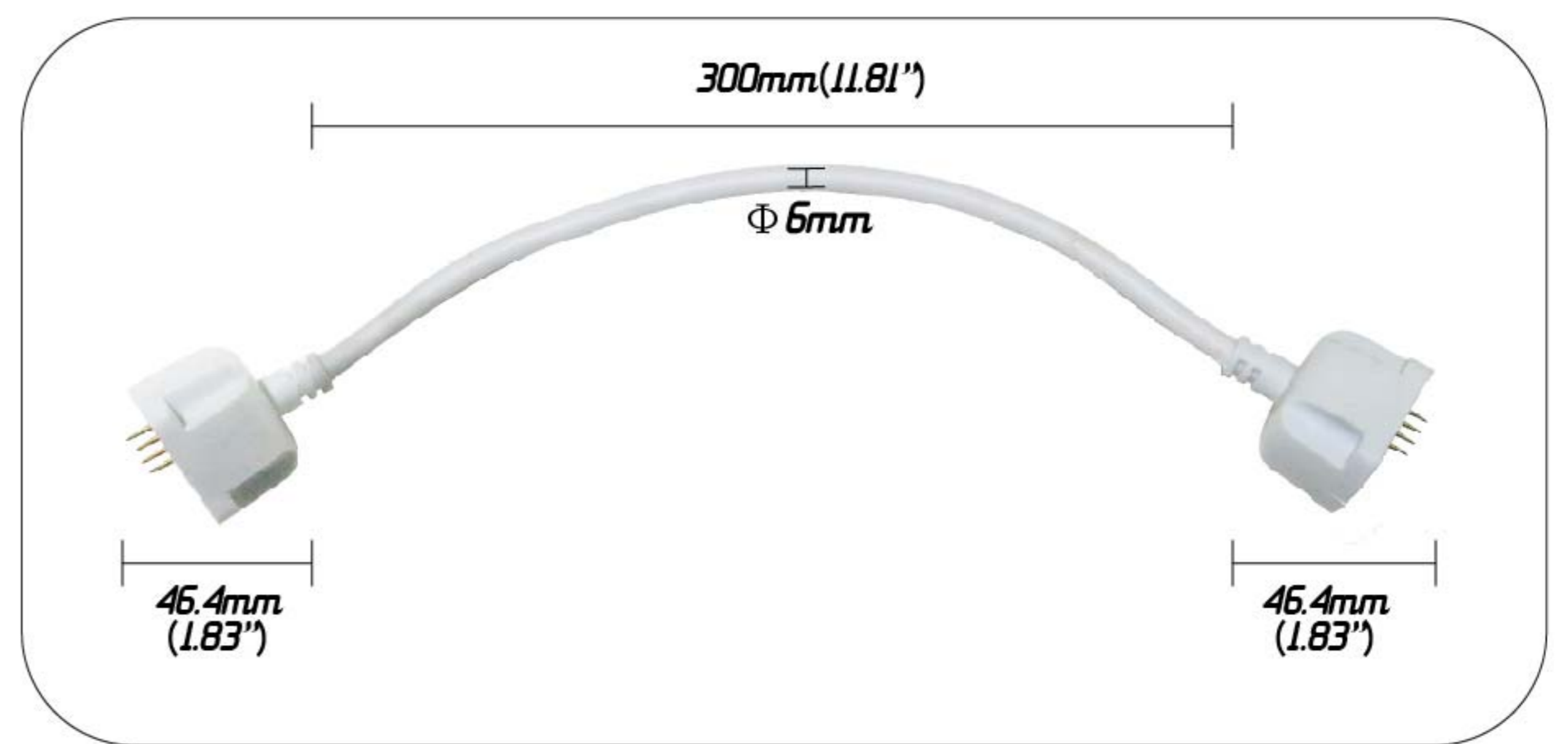


SP108E LED WIFI Controller

IP68 (DIY Screw & Snap Connector)

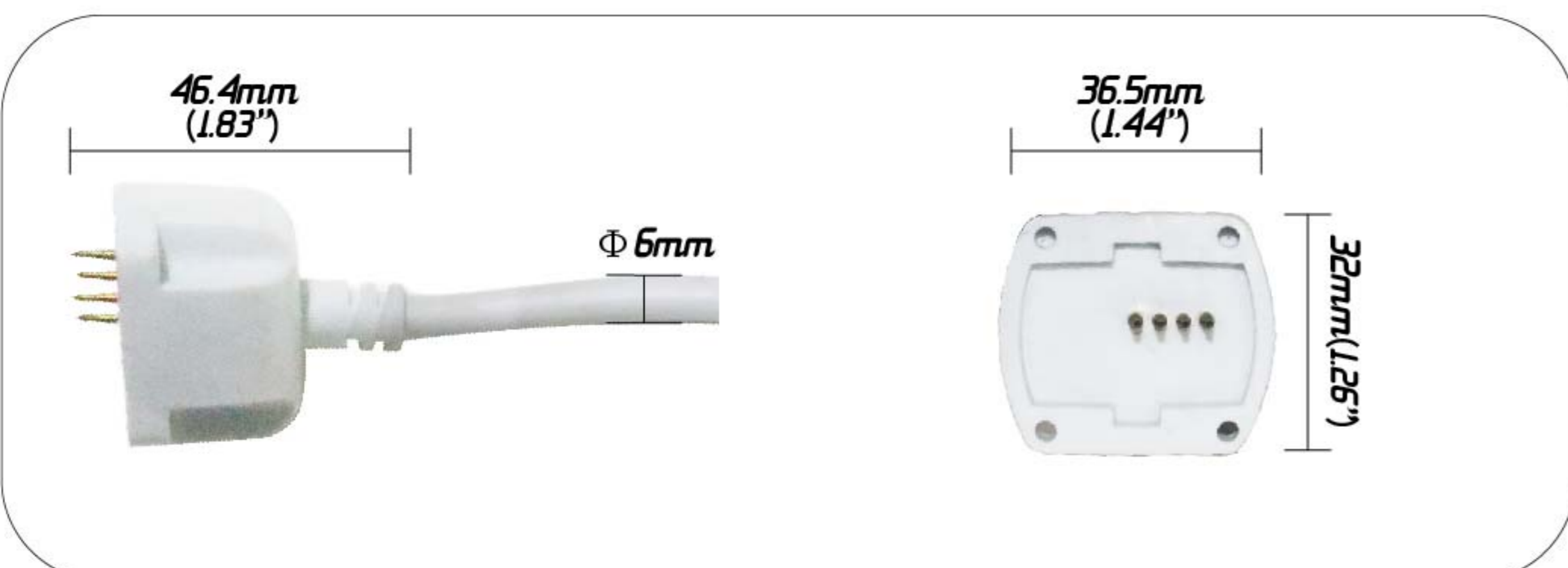


Cable Length: 50cm

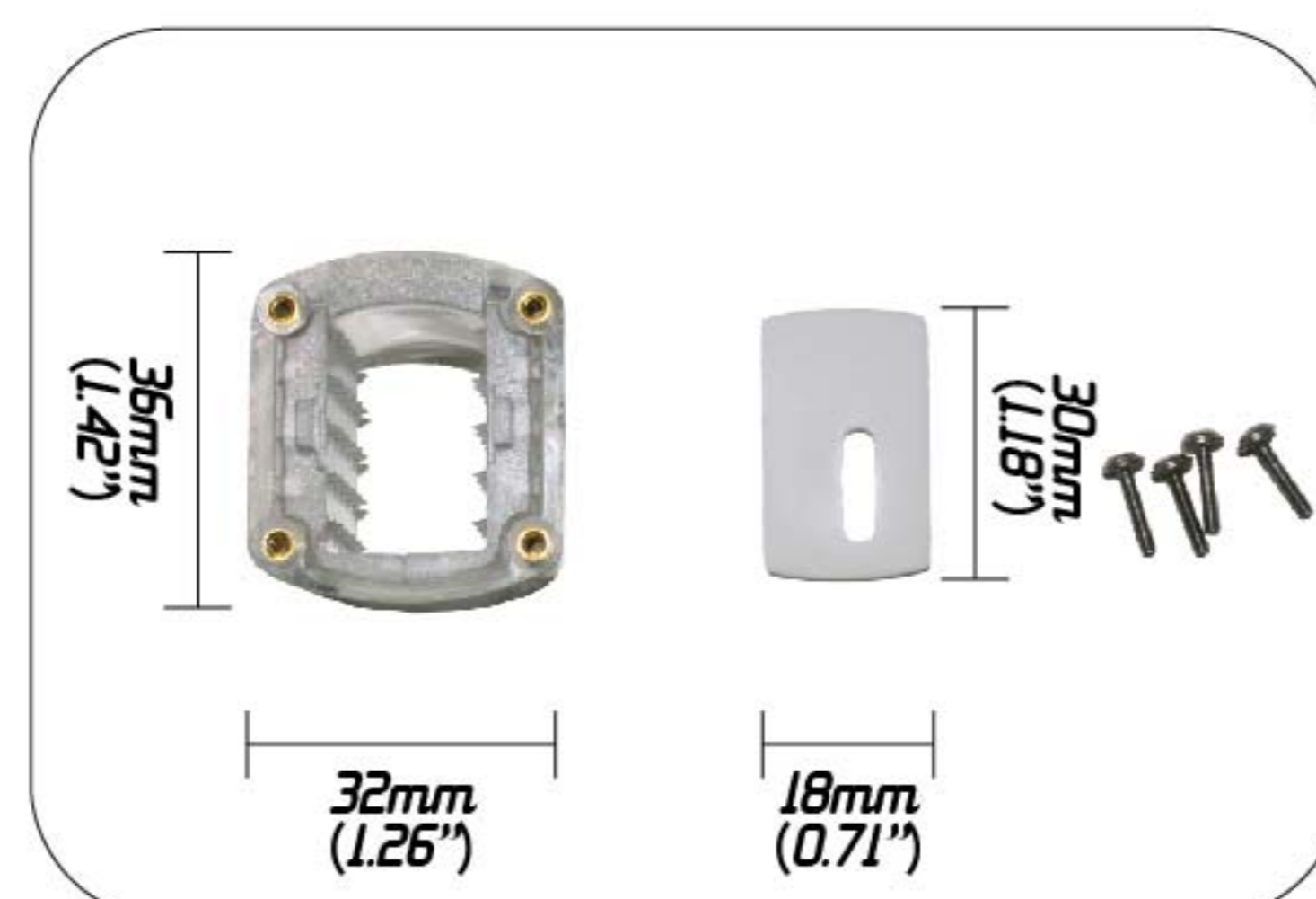


MIDDLE CONNECTOR

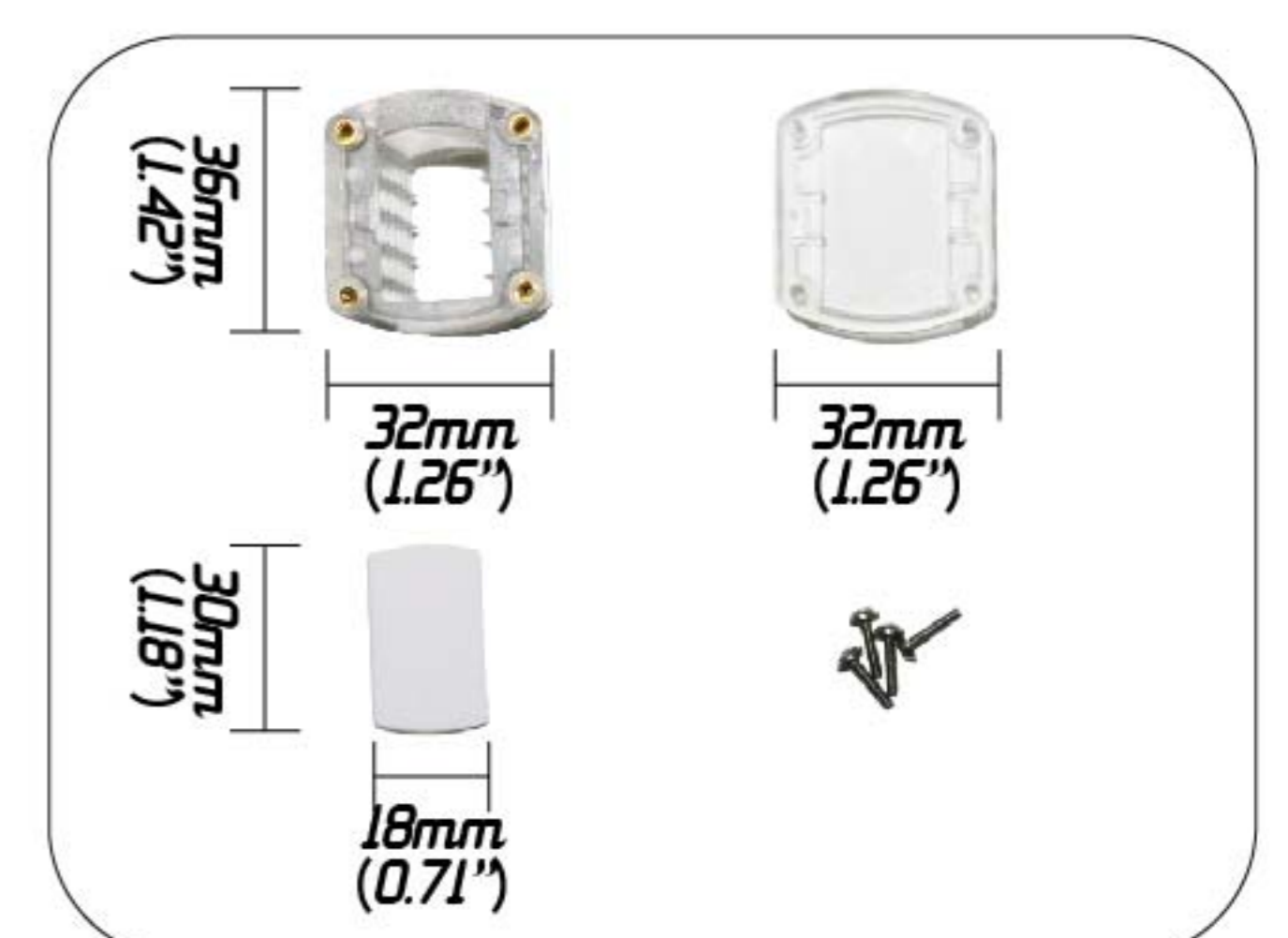
• Part Details



FRONT CONNECTOR

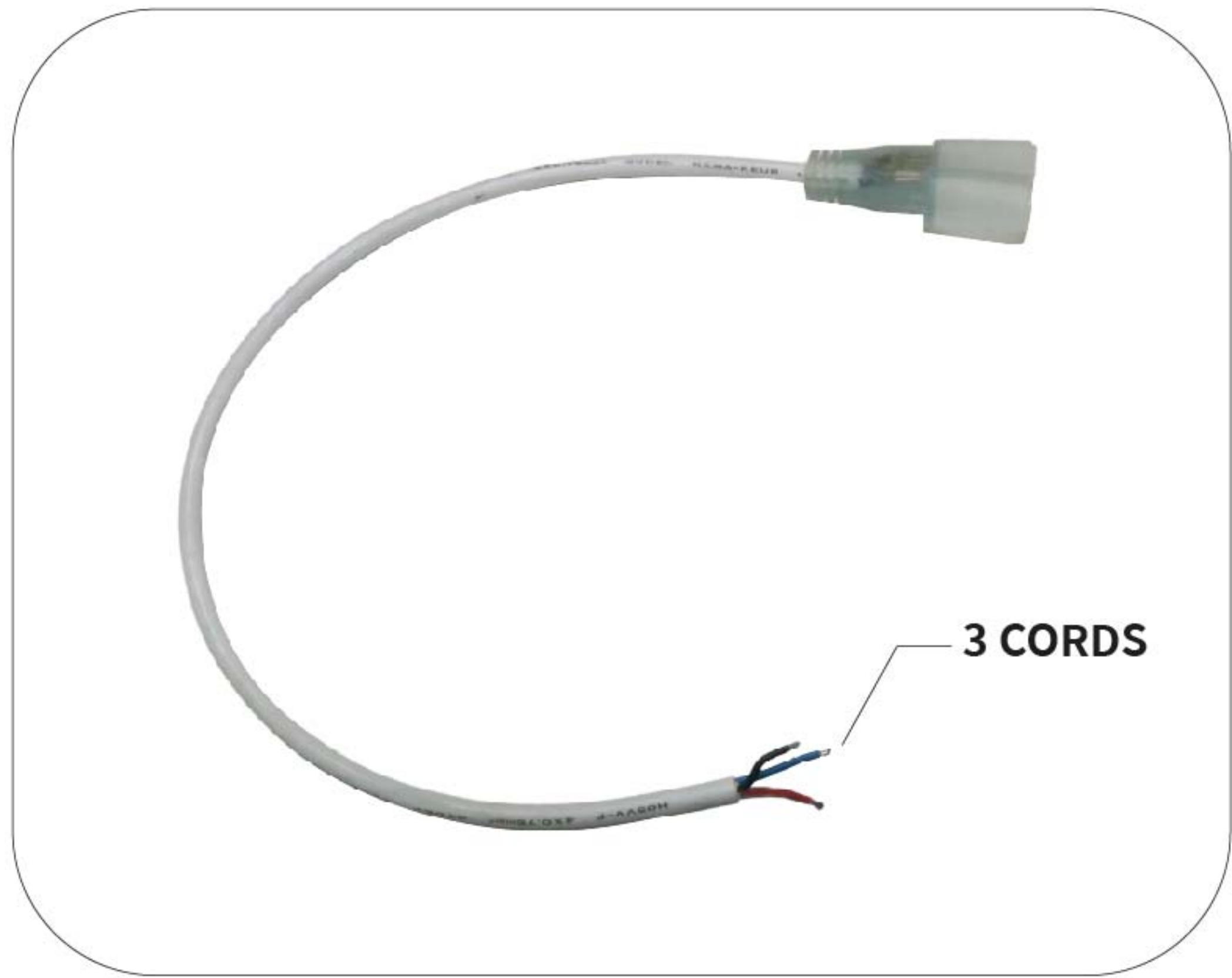


FRONT POWER CONNECTOR

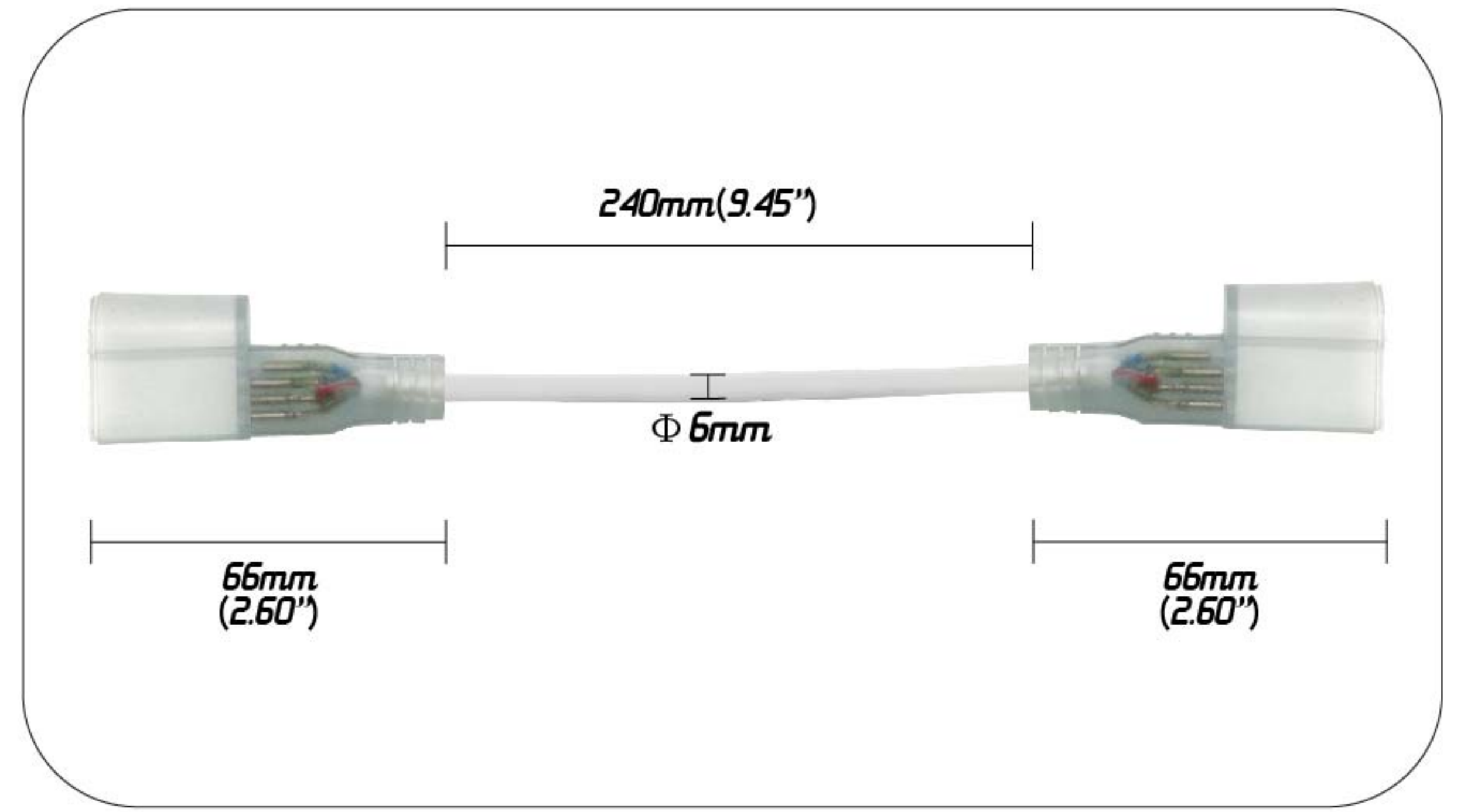


END CAP

IP65 (DIY Connector)

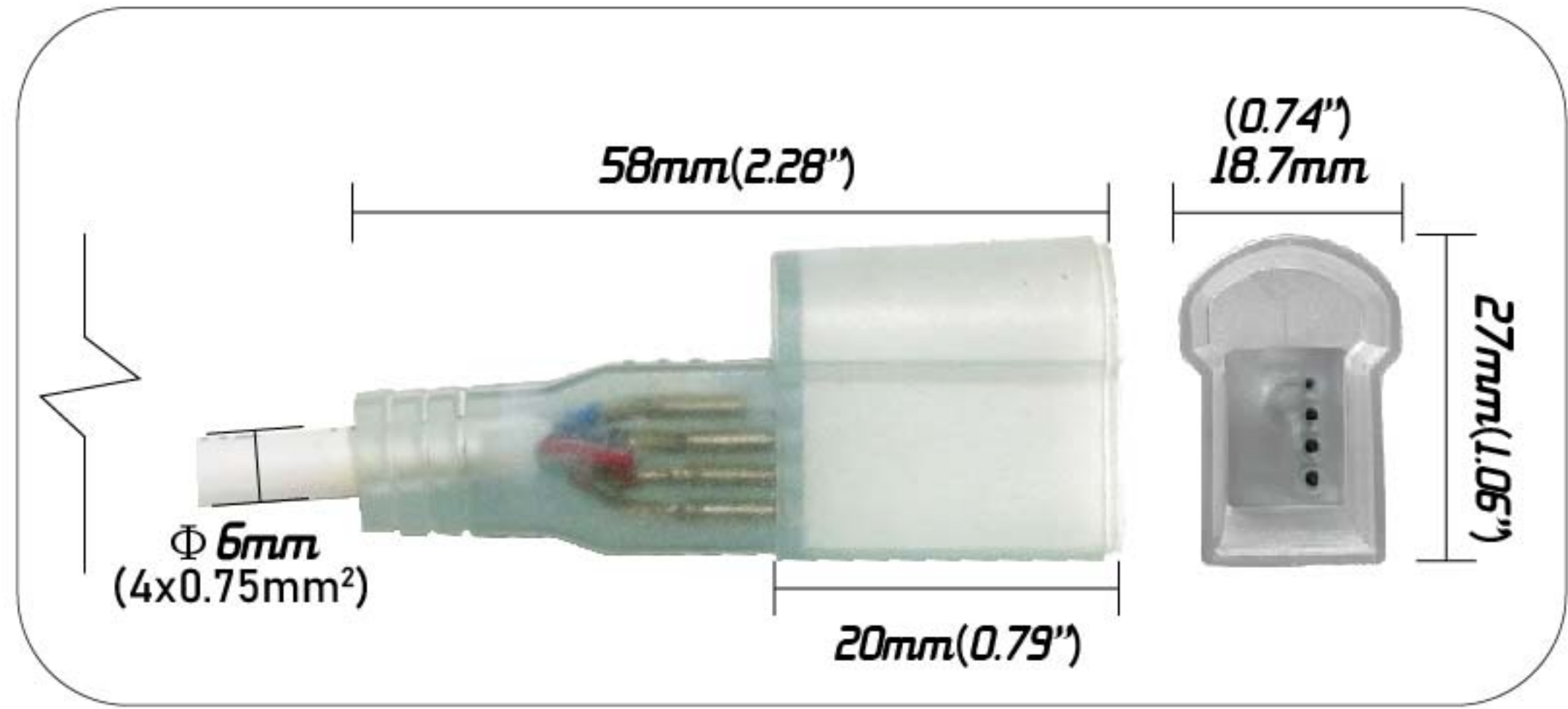


Cable Length: 50cm

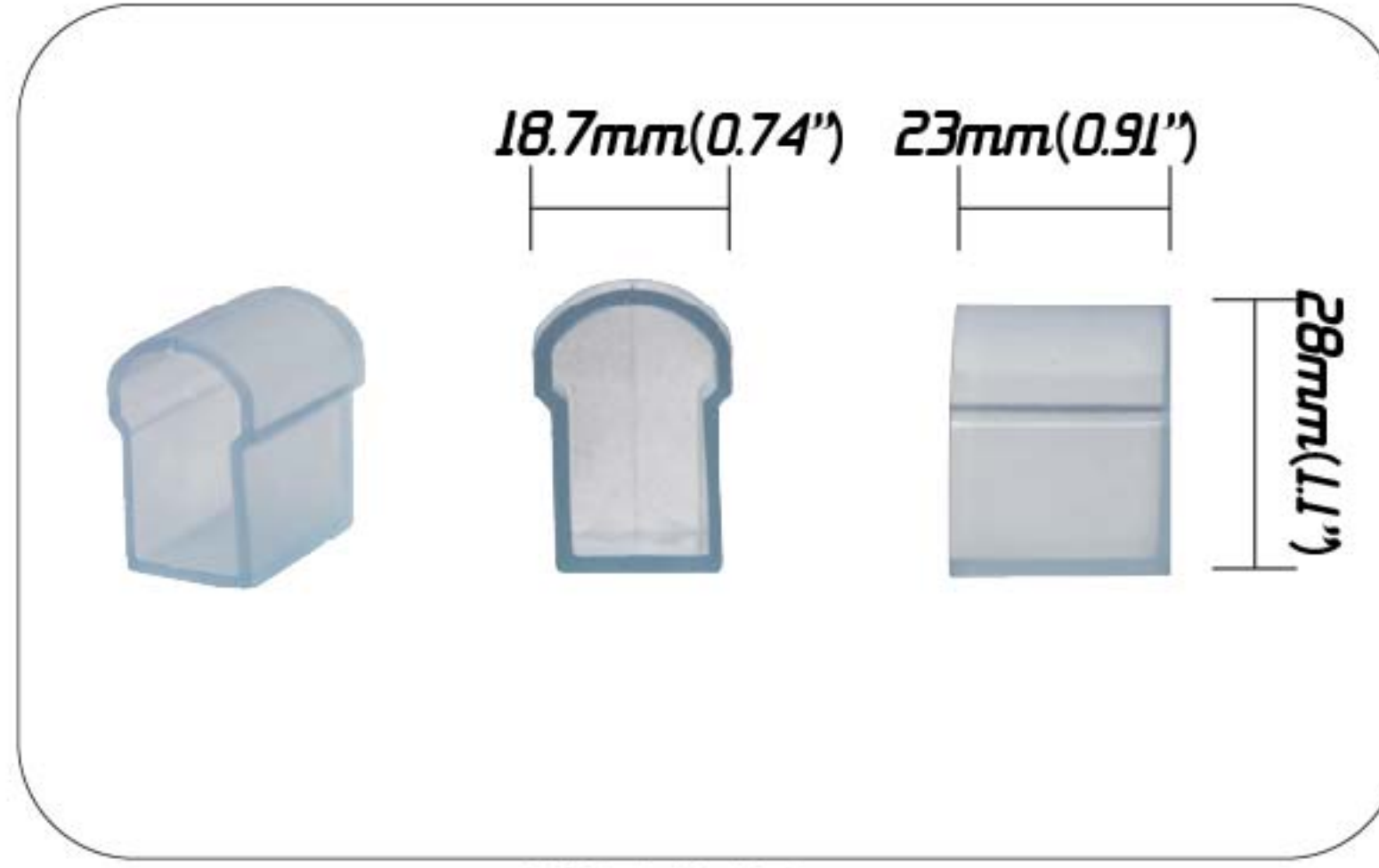


MIDDLE CONNECTOR

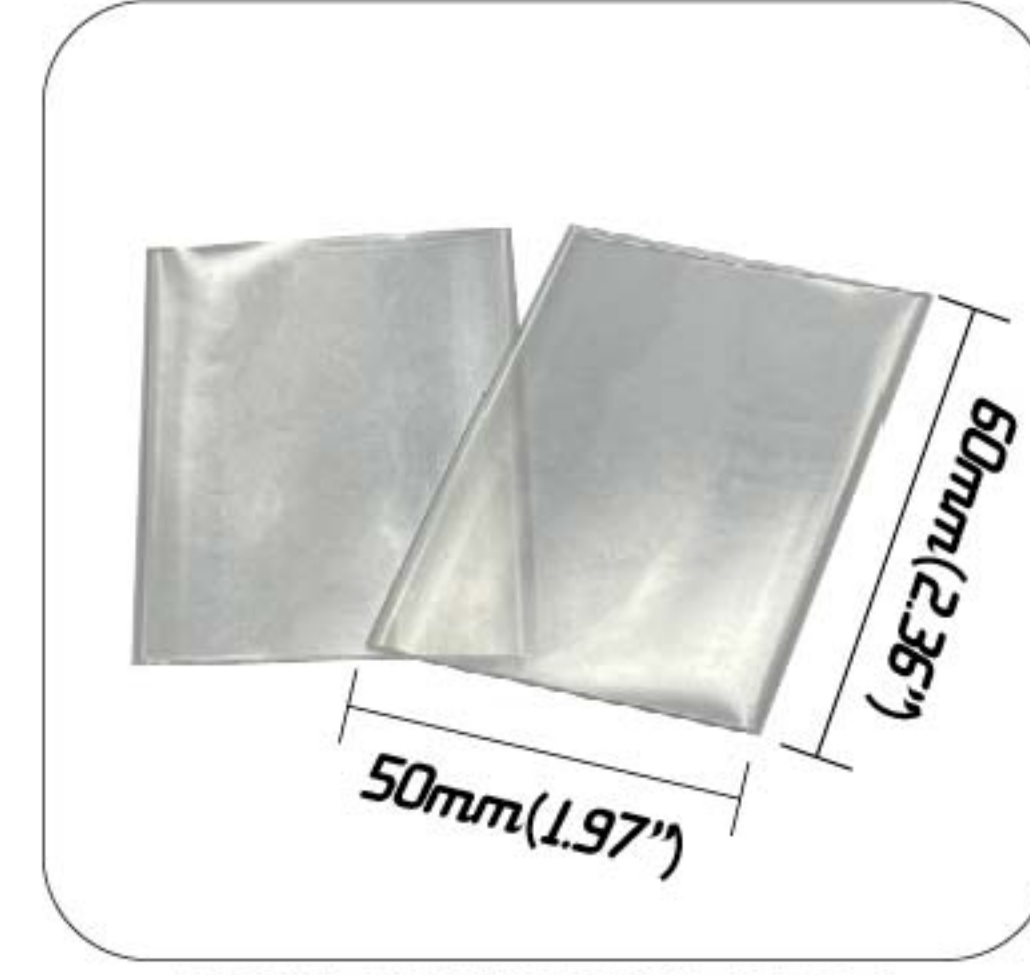
• Part Details



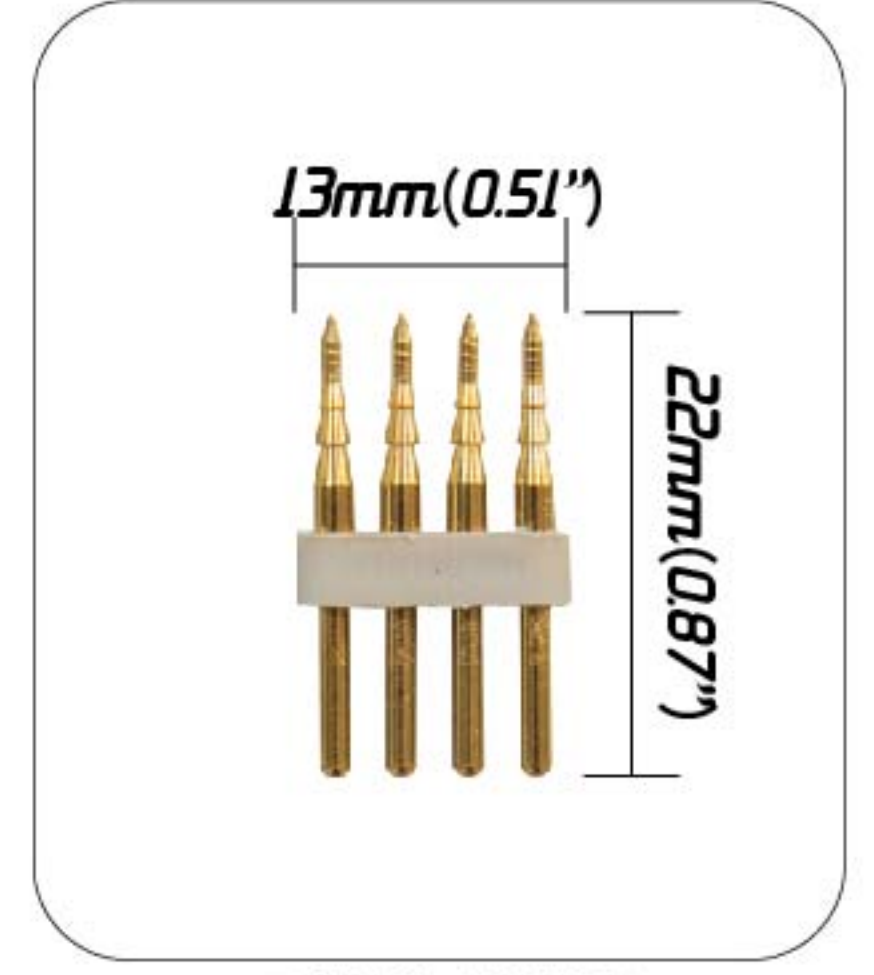
FRONT CONNECTOR



END CAP

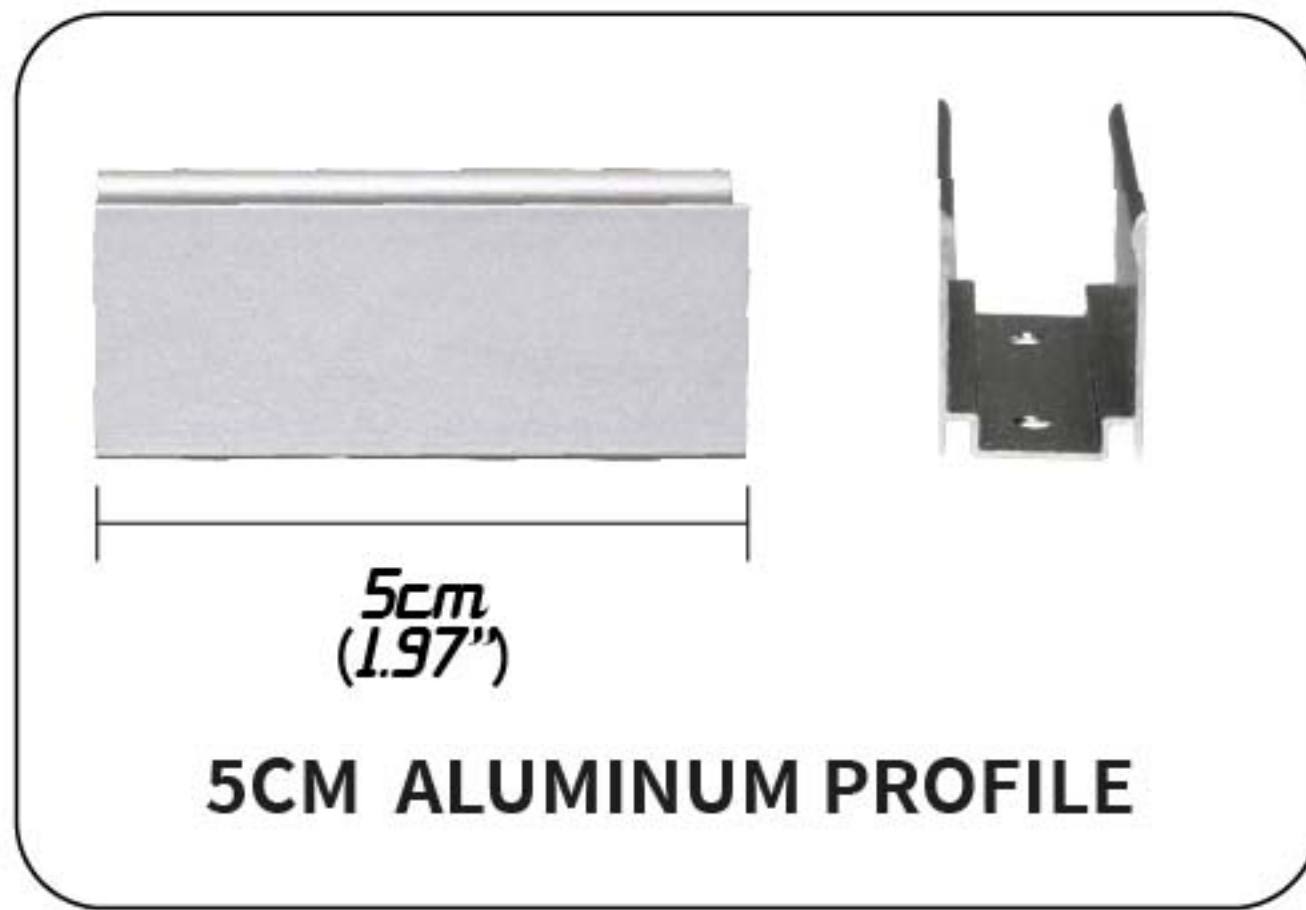


HEAT-SHRINK TUBE



PIN2-PINS FOR MONO COLOR

Mounting Aluminum Channel



5CM ALUMINUM PROFILE



ALUMINUM CHANNEL (1M, 2M, 3M)

