



Professional LED Light Manufacturer  
Since 2008

[www.wilgex-led.com](http://www.wilgex-led.com)

(86) 769-28820681

[info@wilgex-led.com](mailto:info@wilgex-led.com)

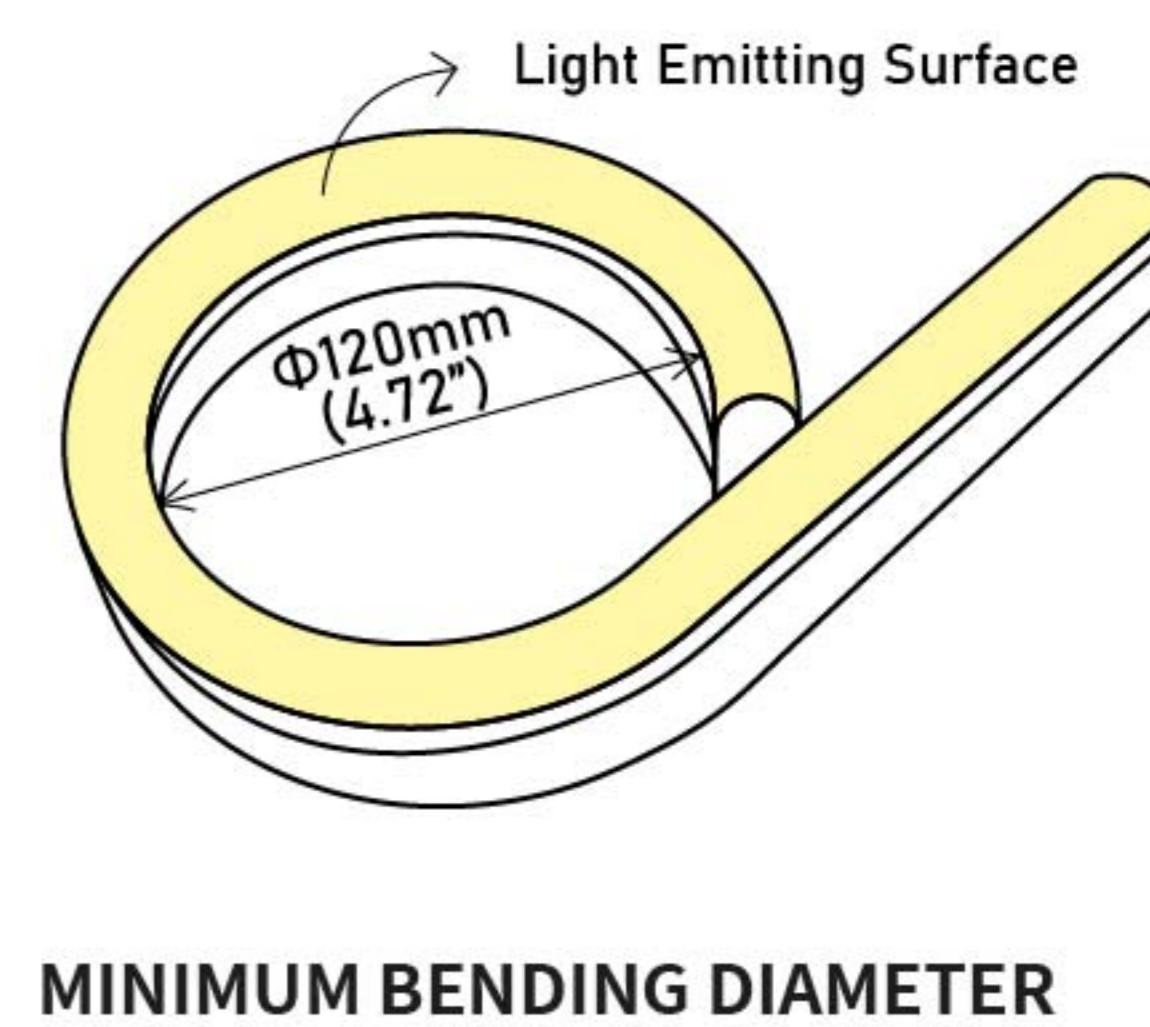
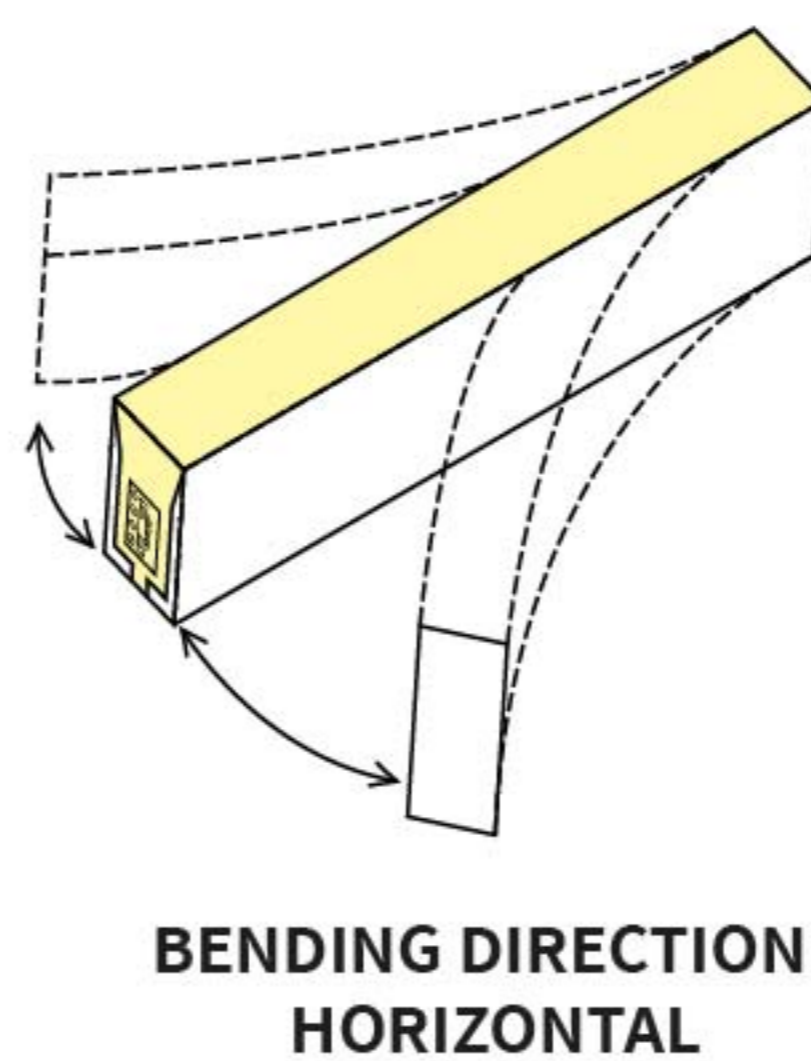
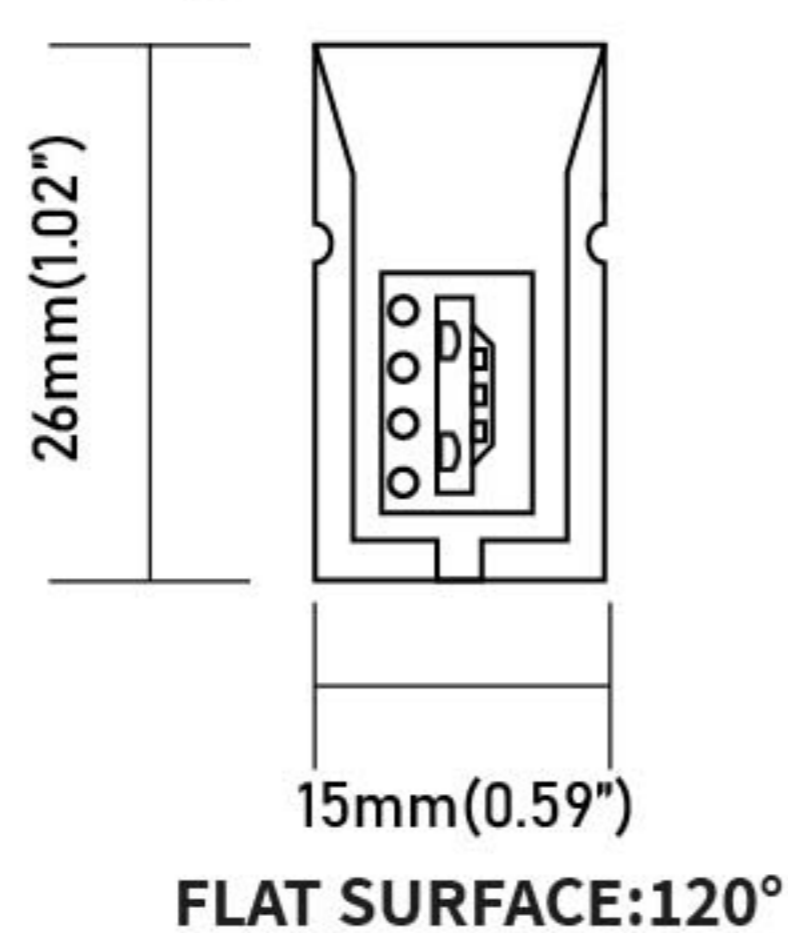
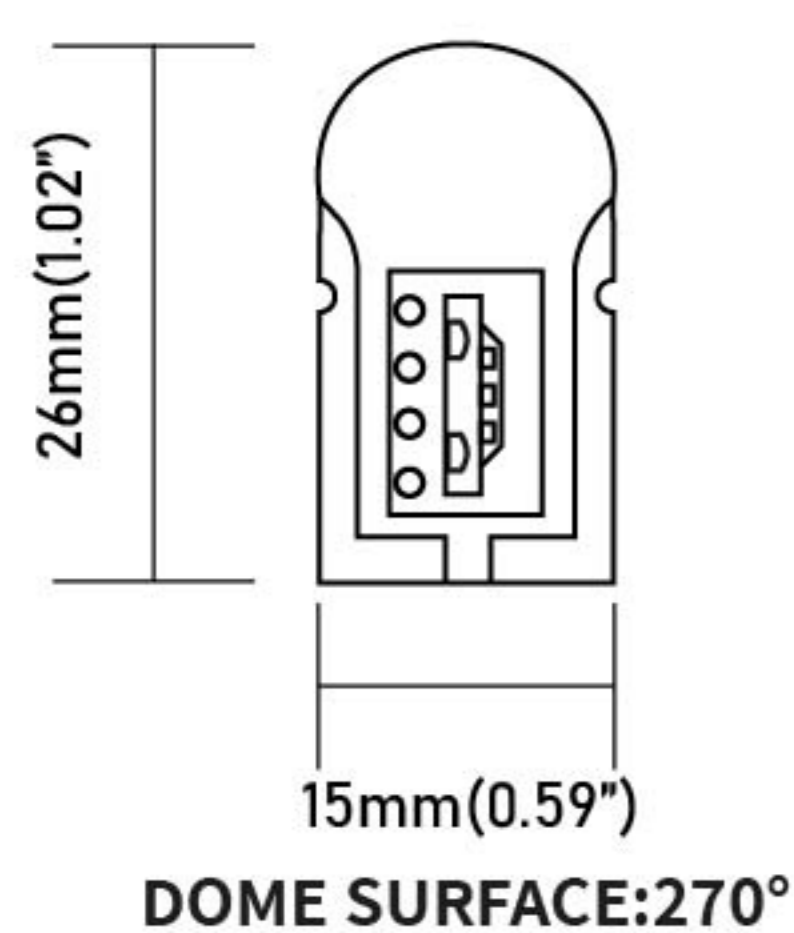
LED NEON FLEX

15X26mm  
DOME/FLAT

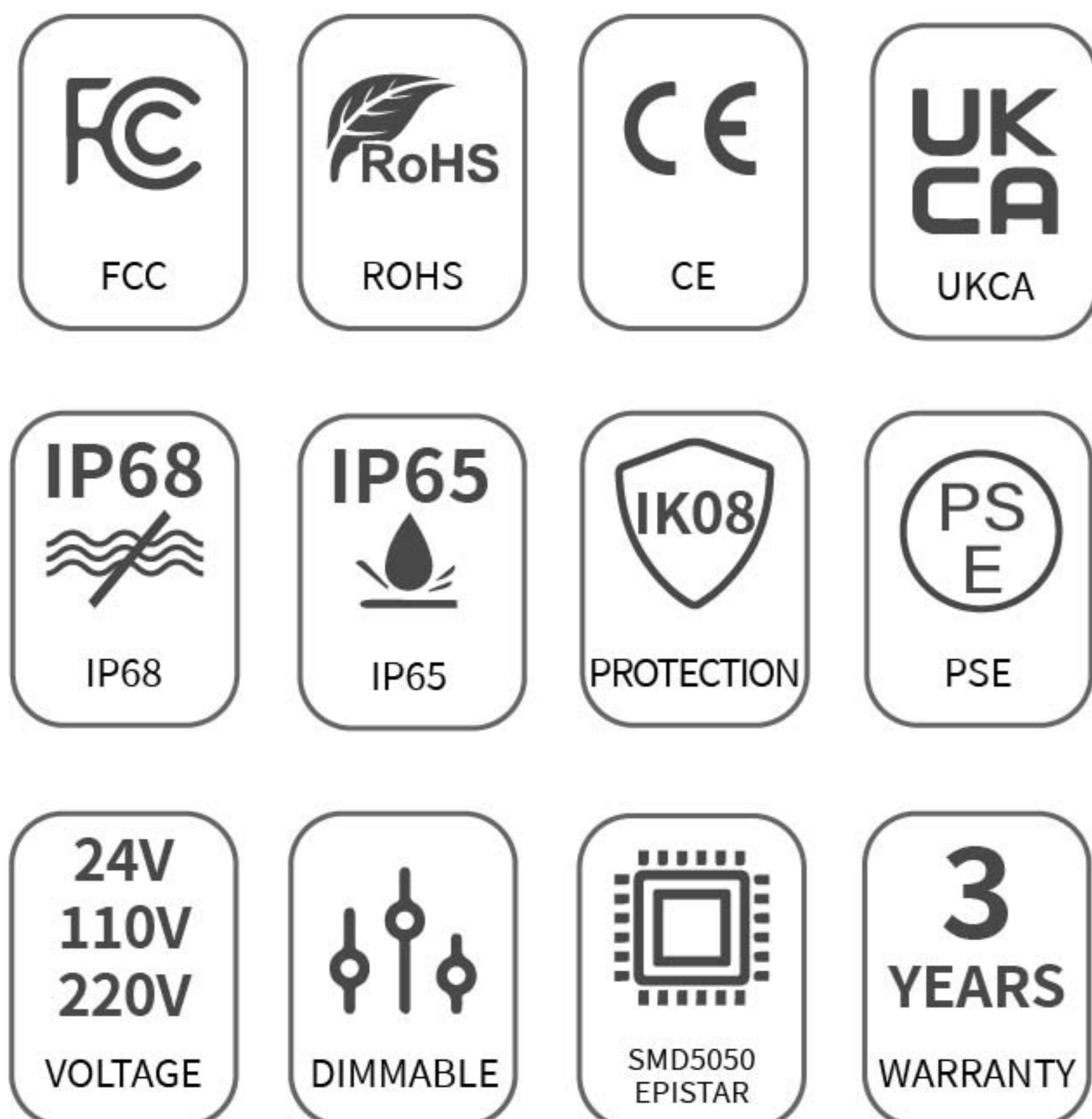
RGB COLOR  
24V/110V/220V



Structural Drawing & Bending Direction



Certifications



Technical Data



<b>Color Temp</b>	Red: 624.4nm Green: 524.6nm Blue: 469.9nm White: 6500K (Color mixing)	<b>Watts/m (24V Dome)</b>	Red: 3.48 W Green: 3.95 W Blue: 4.31 W White: 11.70 W (Color mixing)
<b>Lumen/m (24V Dome)</b>	Red: 41.41 lm Green: 85.42 lm Blue: 17.21 lm White: 138.53 lm (Color mixing)	<b>Unit Cut (24V)</b>	8.33cm
<b>LED Quantity(m)</b>	72 LEDs	<b>Unit Cut (110V/220V)</b>	50cm/100cm
		<b>Max Loading (24V)</b>	20m
		<b>Max Loading (110V/220V)</b>	50m

Optical Parameter Chart for Integrating Sphere Testing

Chroma Parameters  
Chro.Coor.: x=0.2574 y=0.2585 u=0.1843 v=0.2776 duv=-0.0003  
CCT: Tc=19325K Dominant Wave.: 478.3nm Purity: 32.8%  
Flux Ratio: R=24.1%, G=65.0%, B=10.9% Peak Wave.: 464.3nm Half Width: 22.2nm

Bending Index: Ra= 30.3  
R1=11.2 R2=42.4 R3=64.0 R4=34.2 R5=35.4 R6=40.1 R7=44.4  
R8=-29.0 R9=-283.4 R10=-37.0 R11=24.7 R12=45.9 R13=14.3 R14=75.3  
R15=-11.7

Photo Parameters  
Flux: 138.51lm Effi.: 11.8lm/W Radiant: 614.0mW Iv: 0.0mod

Ele. Parameters  
Voltage: U=24.000V Current: I=0.4870A  
Power: P=11.70W Power Factor: PF=1.000

Reliability test

TEST CATEGORY	TEST ITEMS	STANDARD/VALUE
Optical Test	Spectrum Analysis	IES LM 79(CCT, lumen, CRI, SDCM, XY, wavelength)
	Photometric Distribution	IES LM 79(lumen intensity distribution & Lux diagram)
Temperature Test	Lumen Maintenance & Lifetime	IES LM84 & IES TM 28
	Nomal Temperature Test -25°C	UL 1598 & UL2388 & IEC60598-1 & IEC60598-2-21
Physics Test	Abnormal Operation Test -70°C	UL 1598 & UL2388 & IEC60598-1 & IEC60598-2-21
	Bending Test	Manufacturer-defined, 1000 cycles
	Swing Test	UL2388, >750 cycles
	Tensile Test	Manufacturer-defined, >the weight of light in max. running length by double ends feed
	Twist Test	Manufacturer-defined, 200 cycles
Weathering Test	IK08	IEC62262
	Ball Impact	UL 1598 & UL2388 & IEC60598-1 & IEC60598-2-21
	Swimming Pool Water Immersion Test	GB9667, PH6.8-7.6, free chlorine 0.3-0.6mg/L
	Sea Water Immersion Test	IEC 60598-1, Salinity 4%
Environment Test	Salt Spray Test	IEC68-2-11
	Outdoor Exposure	Manufacturer-defined
	Flame Resistant Test	UL94
	UV Exposure Test	ASTMG154, UVA@340nm
Environment Test	IPX5 IPX6 IPX7 IPX8	IEC60529
	Temperature Shock Test	Manufacturer-defined, -40°C-60°C (typical temperature range)
	Constant Temperature Test	Manufacturer-defined, 70°C (typical temperature range)

Wilgex specializes in engineering LED flexible neon lights and offers both standard and customized services. If you have specific requirements, please contact our sales department.

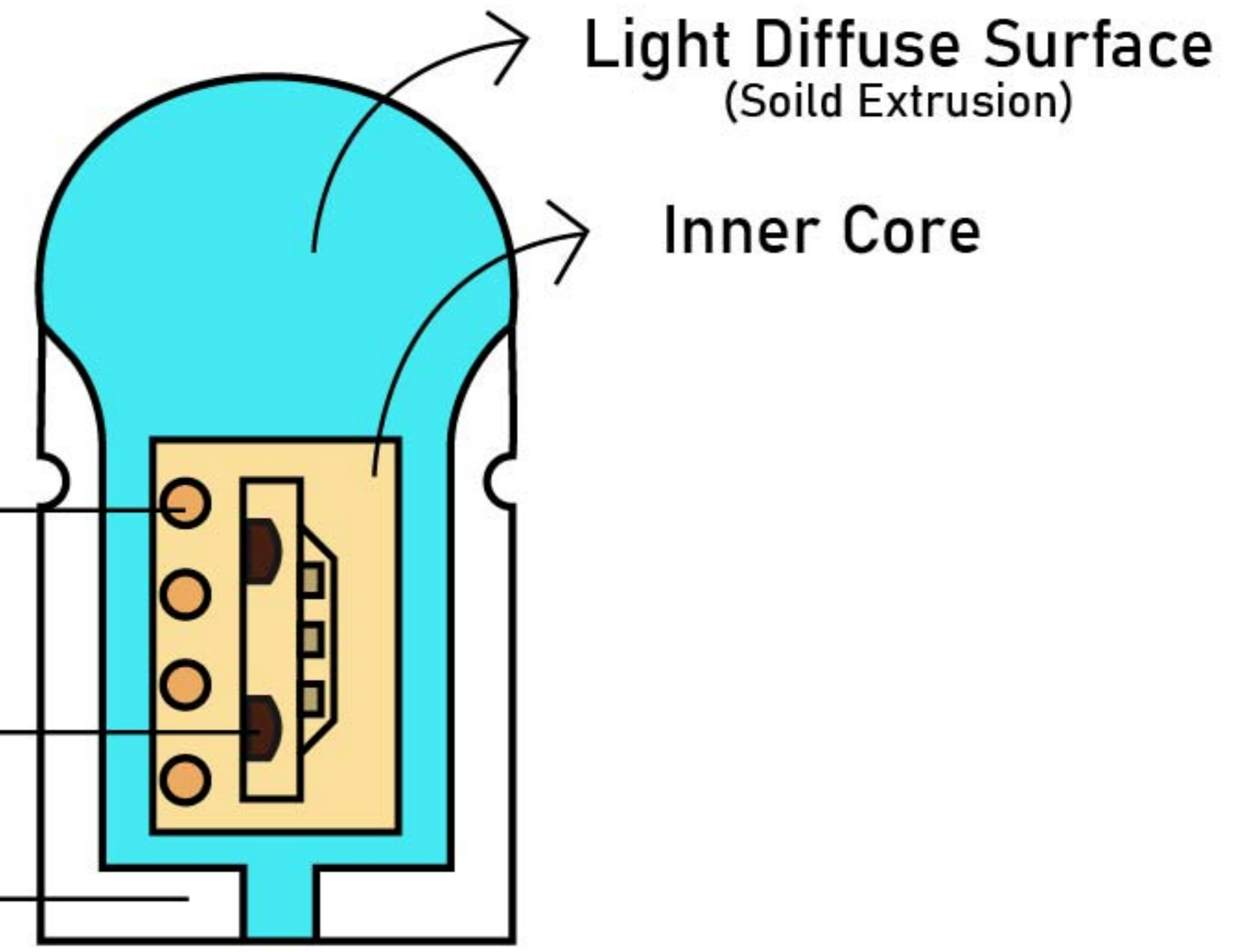
**Five-star quality assurance**



22 AWG tinned copper wire  
(22X0.15mm)

Enhance FPCB

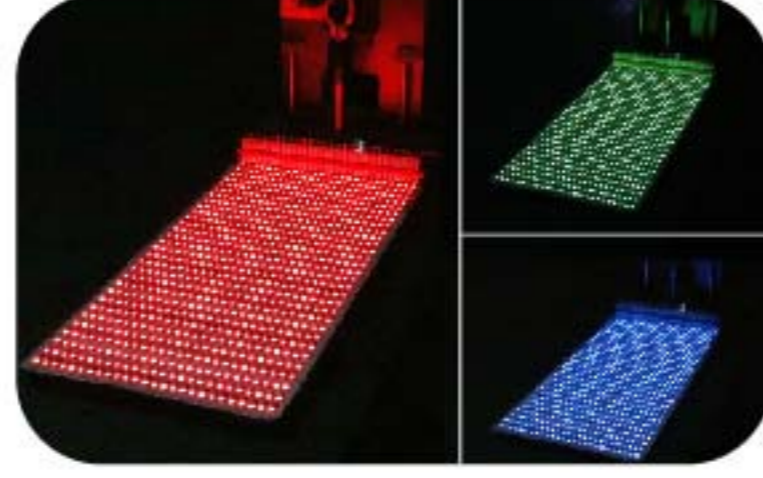
Outer Layer



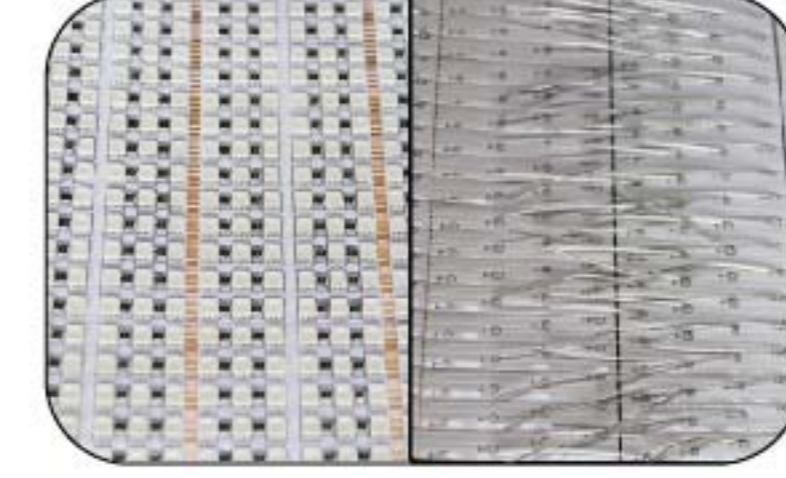
**Unique Design**



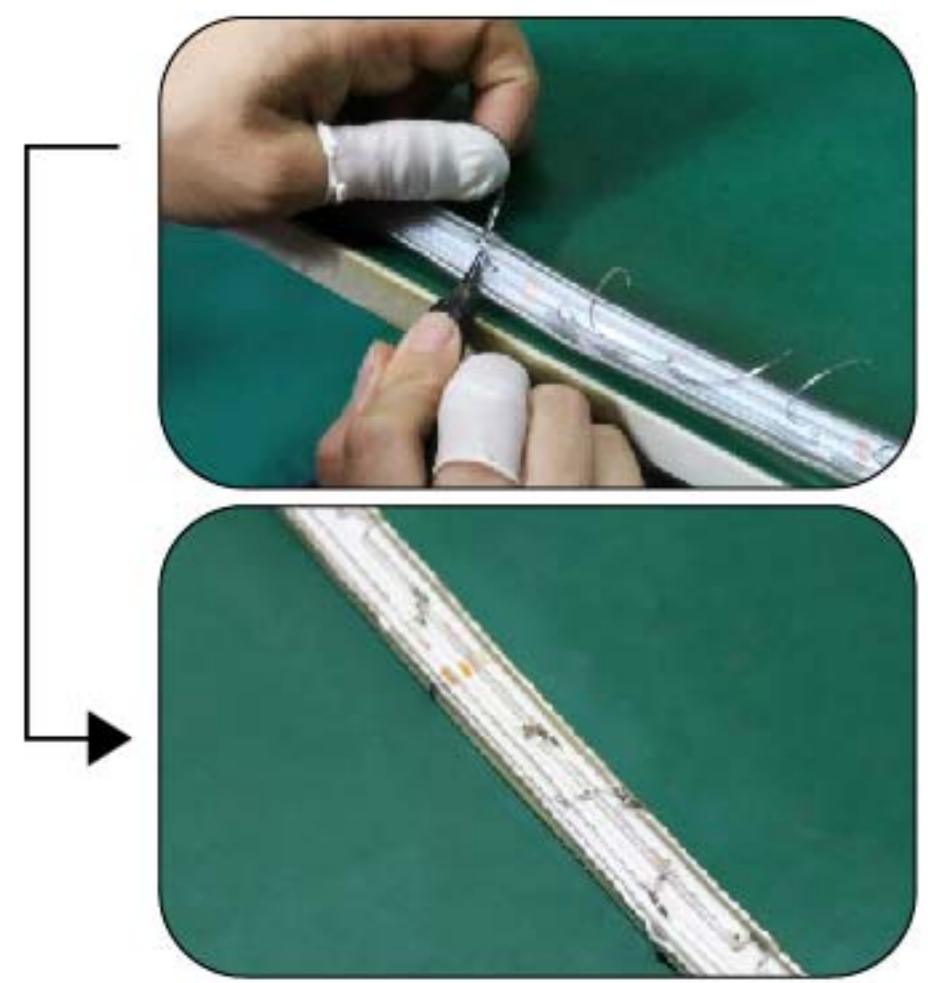
★ Dual Power Supply Design



★ Enhance thickness FPC design principle



★ LED anti-death design



★ Stronger inner core protection design

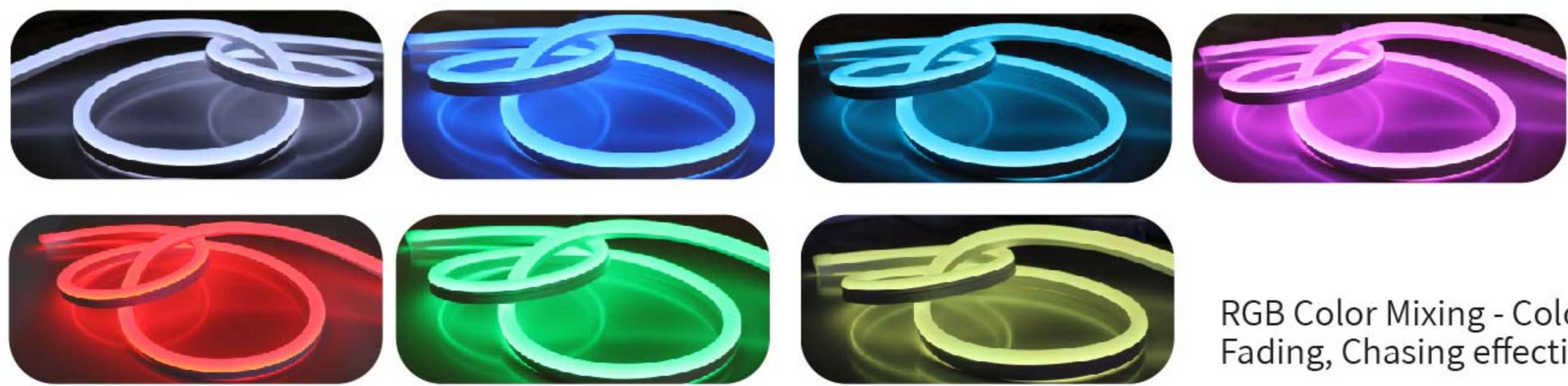


★ Solid extrusion design for exterior

**Features:**

1. Size: The bigger size of this LED Neon Flex is 15x26mm ( Width x Height)
2. RGB flexible neon lights are a type of LED lighting that can display a wide range of colors by utilizing red, green, and blue (RGB) LEDs. With the ability to display millions of colors, these lights can create dynamic and eye-catching effects.
3. The flexibility of these neon lights allows them to be shaped and mounted in various ways, making them suitable for a variety of applications. They are often used for accent lighting, signage, and decorative purposes in both indoor and outdoor settings. Additionally, their energy-efficient design means they consume less power than traditional neon lights.
4. RGB flexible neon lights typically come with a remote control or a programmable controller that allows the user to adjust the color, brightness, and effects of the lighting. Some models also come with sound sensors, which enable the lights to respond to music or ambient noise.
5. Overall, RGB flexible neon lights are a versatile and vibrant lighting solution that can add a colorful and dynamic element to any space or event.

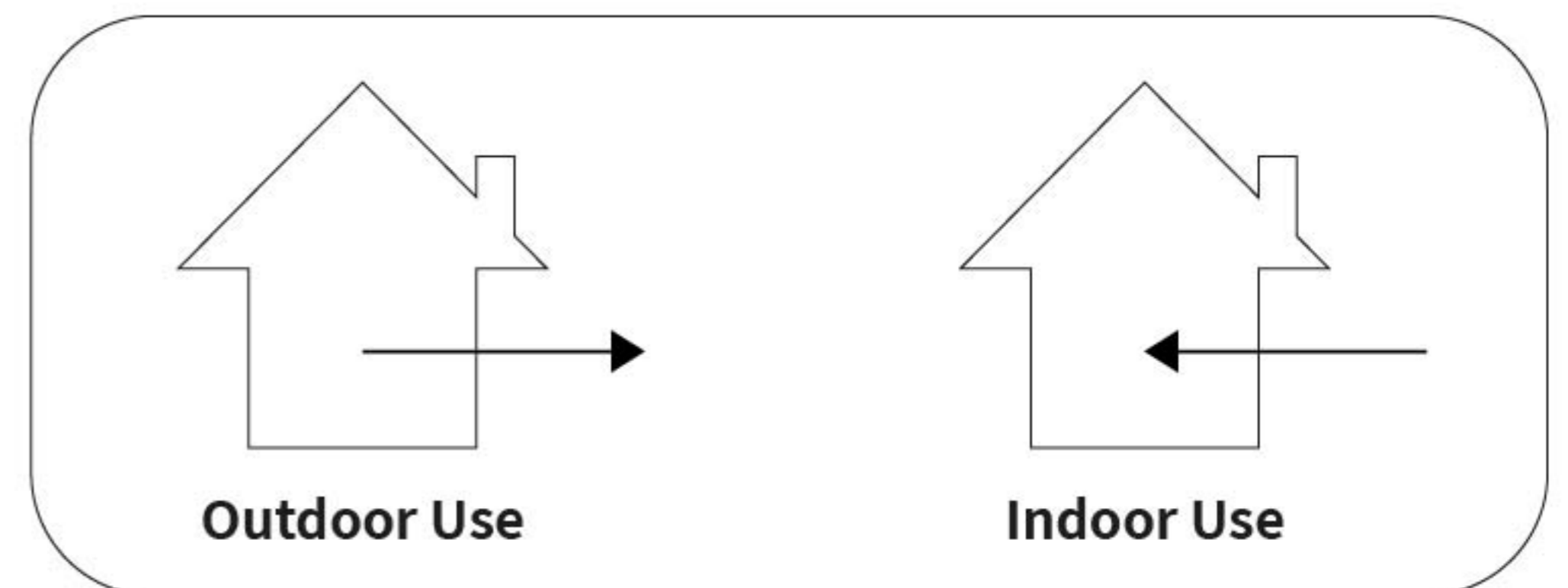
**Wide Color Options**



RGB Color Mixing - Color changing, Fading, Chasing effect

**Recommended Usage Scenarios :**

1. Indoor and outdoor architectural lighting decoration
2. Landscape lighting
3. Advertising signage lighting
4. Stage and theater lighting
5. Car and motorcycle lighting
6. Holiday and event lighting decoration
7. Cove lighting
8. Edge-lit lighting
9. Retail and display lighting
10. Restaurant and bar lighting



Please note that these are only recommended usage scenarios and it is important to consult the product specifications and guidelines before using flexible LED neon light strips in any application.



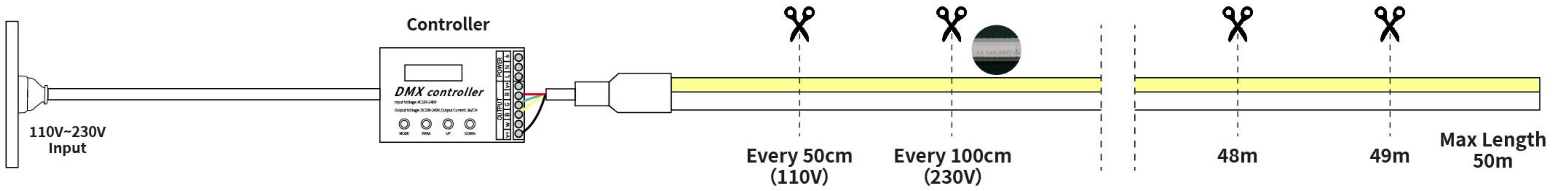
**Package**



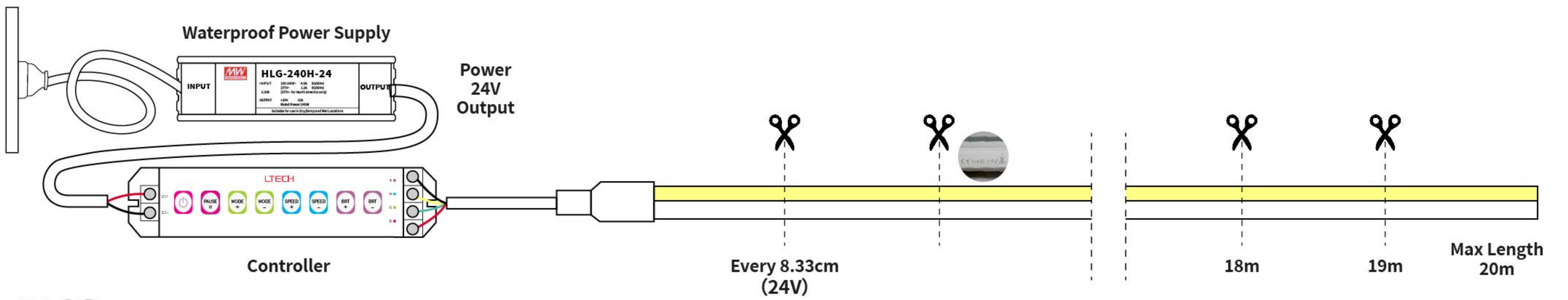
Packing Method : Reel + boardcards  
 Quantity / Box : 50 meters / reel  
 Gross Weight : 25 Kg ( 55.16LB)  
 Size of outer box : 34 x 34 x 40cm  
 CBM : 0.046 m<sup>3</sup> / box

**Mini Cutting Length & Connection Length**

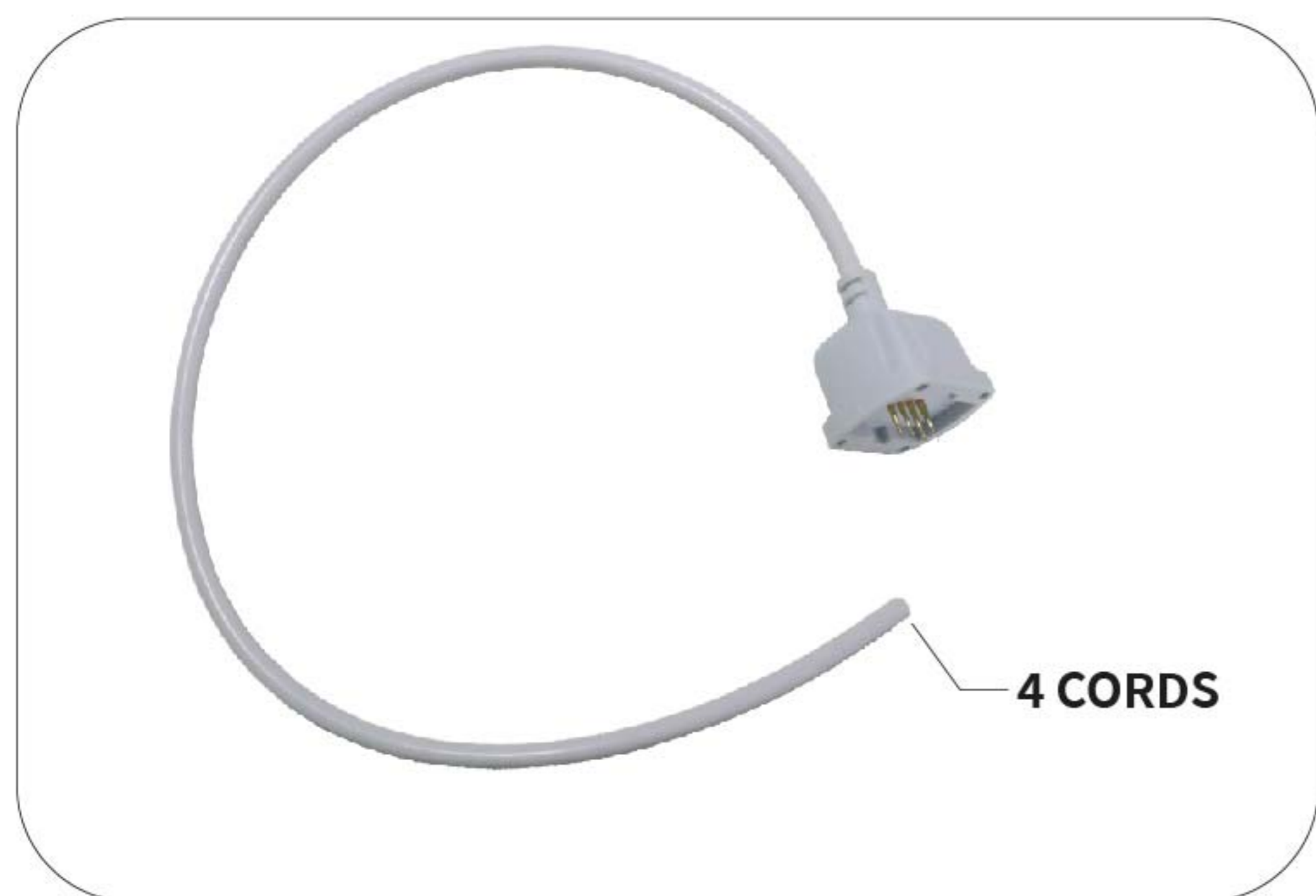
**• High Voltage ( 110V / 230V)**



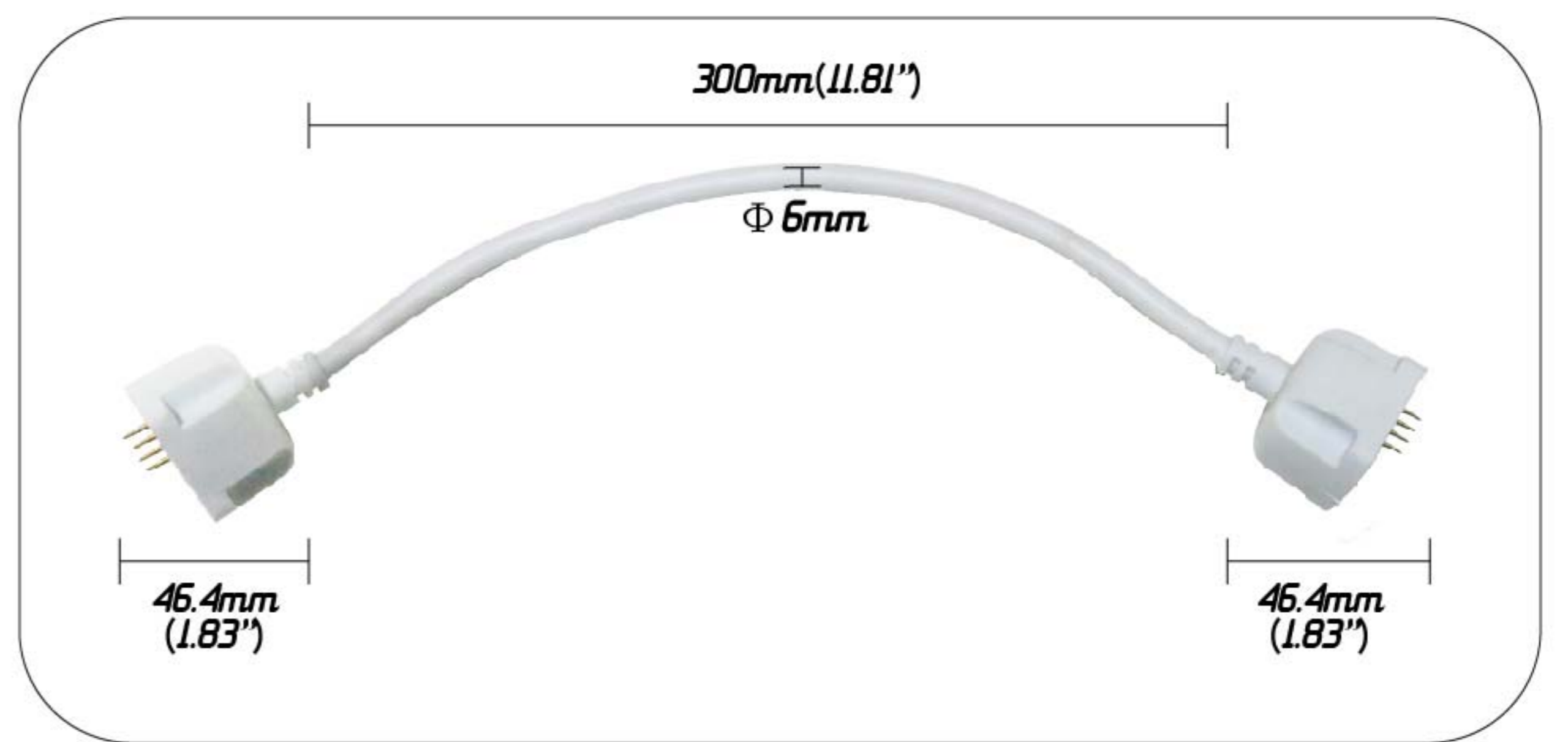
**• Low Voltage ( 24V)**



**IP68 (DIY Screw & Snap Connector)**

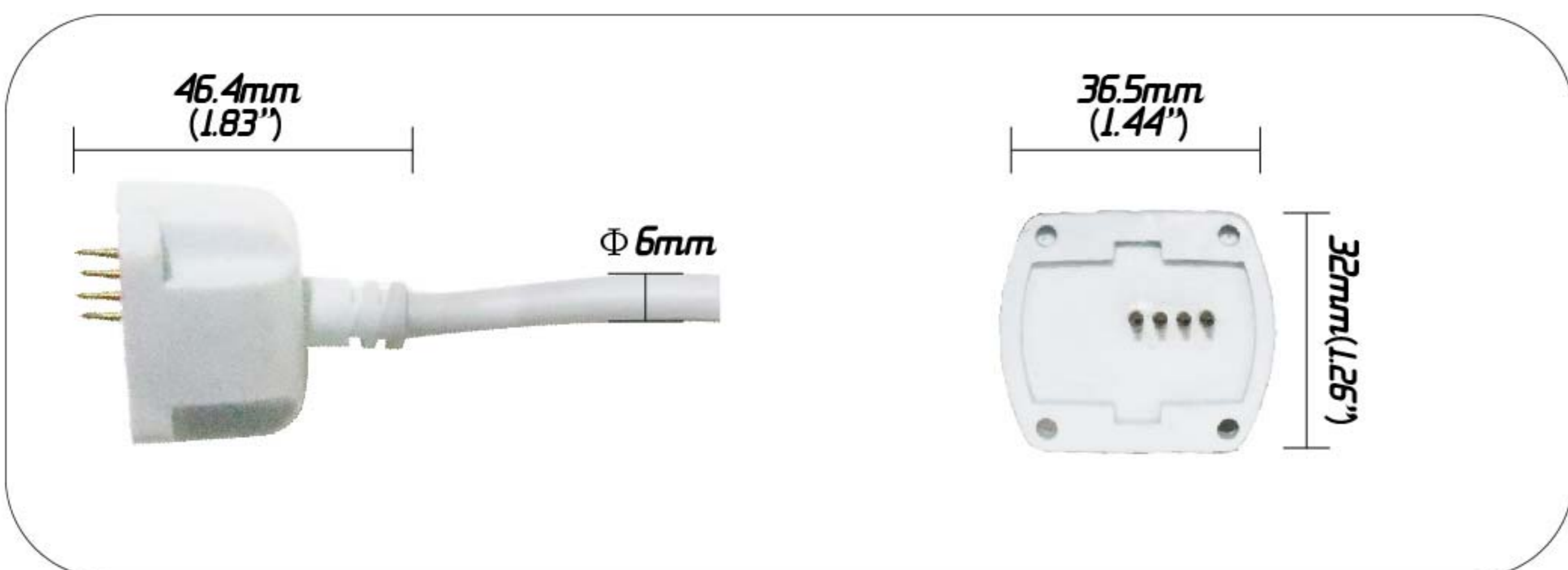


Cable Length: 50cm

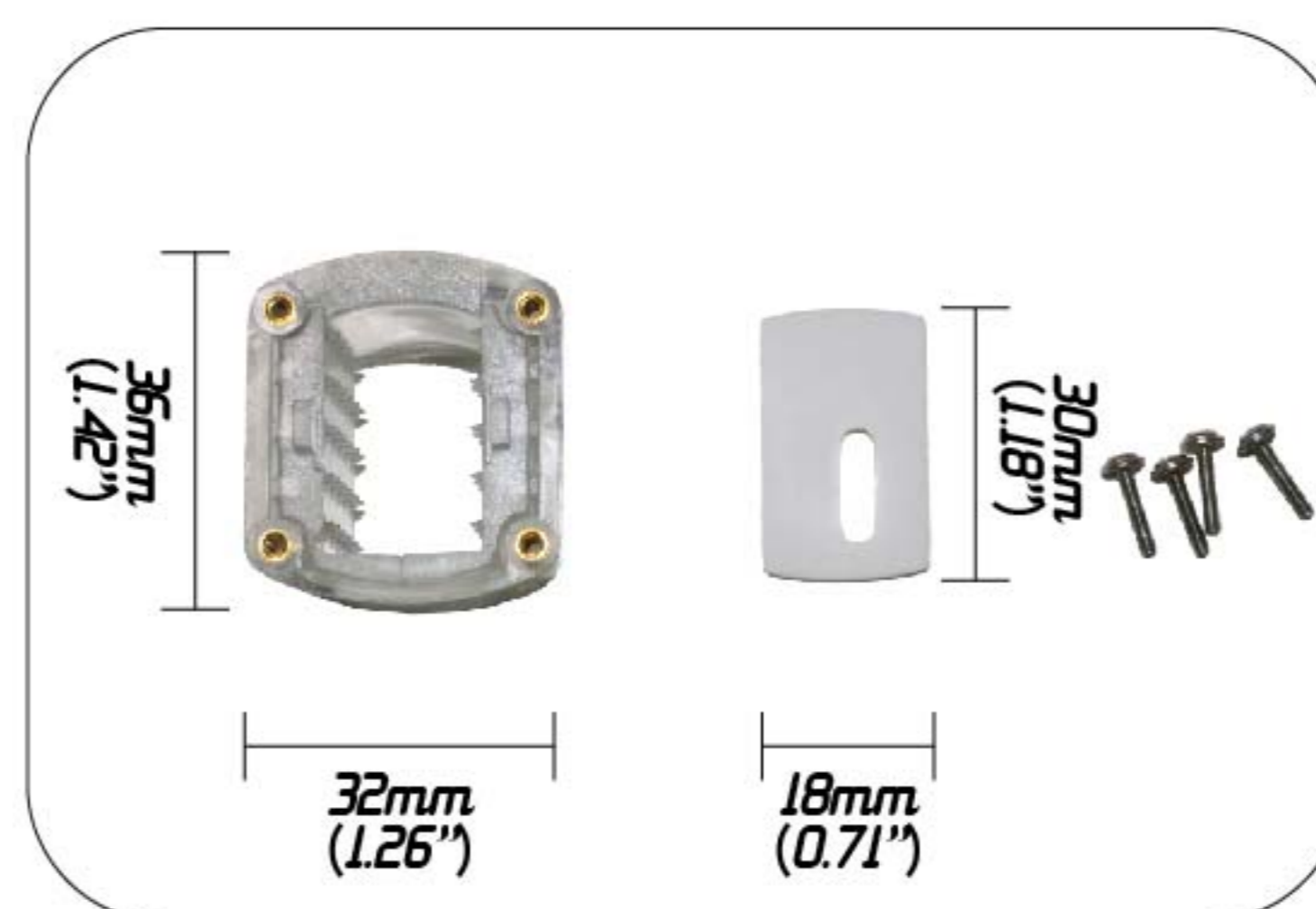


MIDDLE CONNECTOR

**• Part Details**



FRONT CONNECTOR

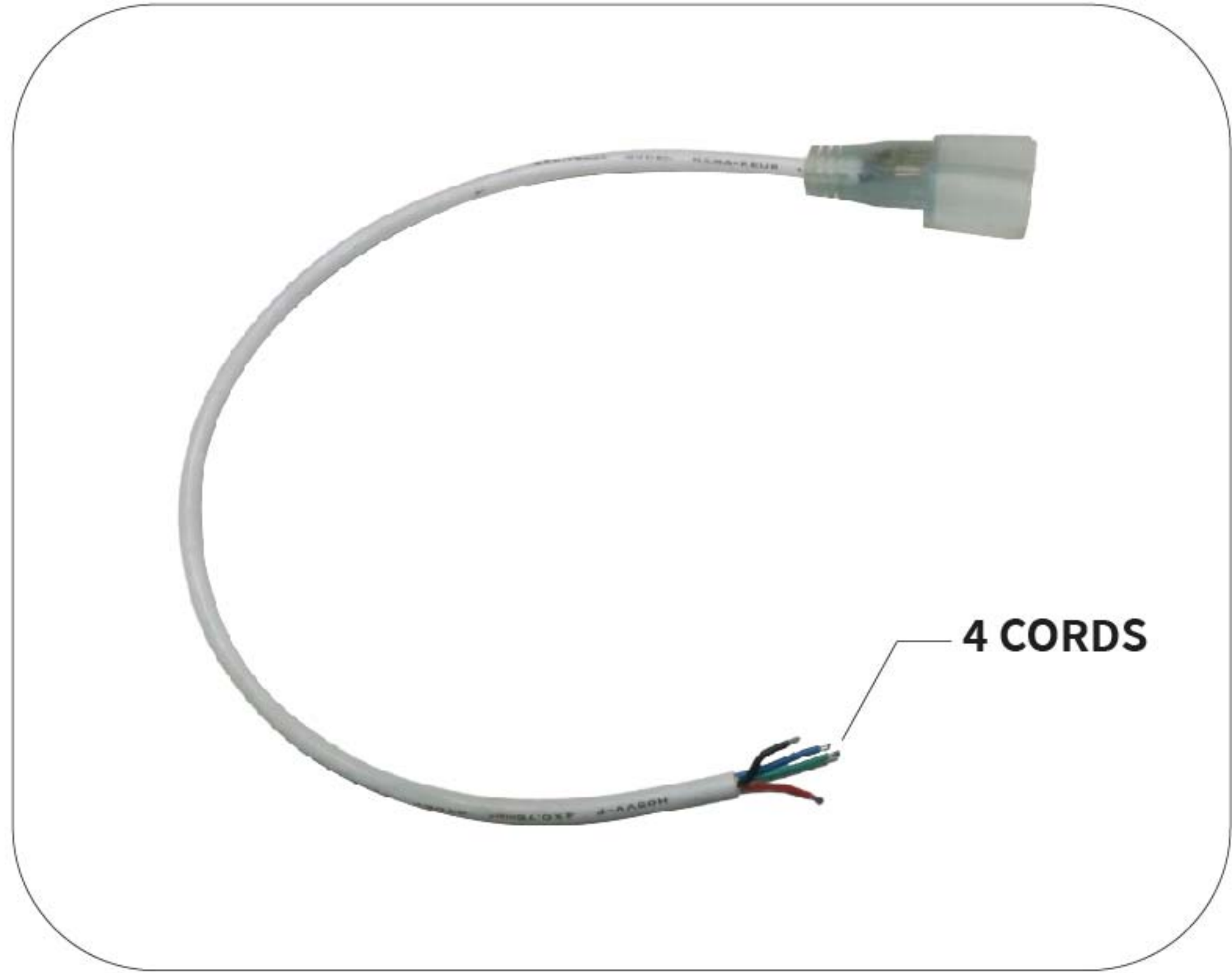


FRONT POWER CONNECTOR

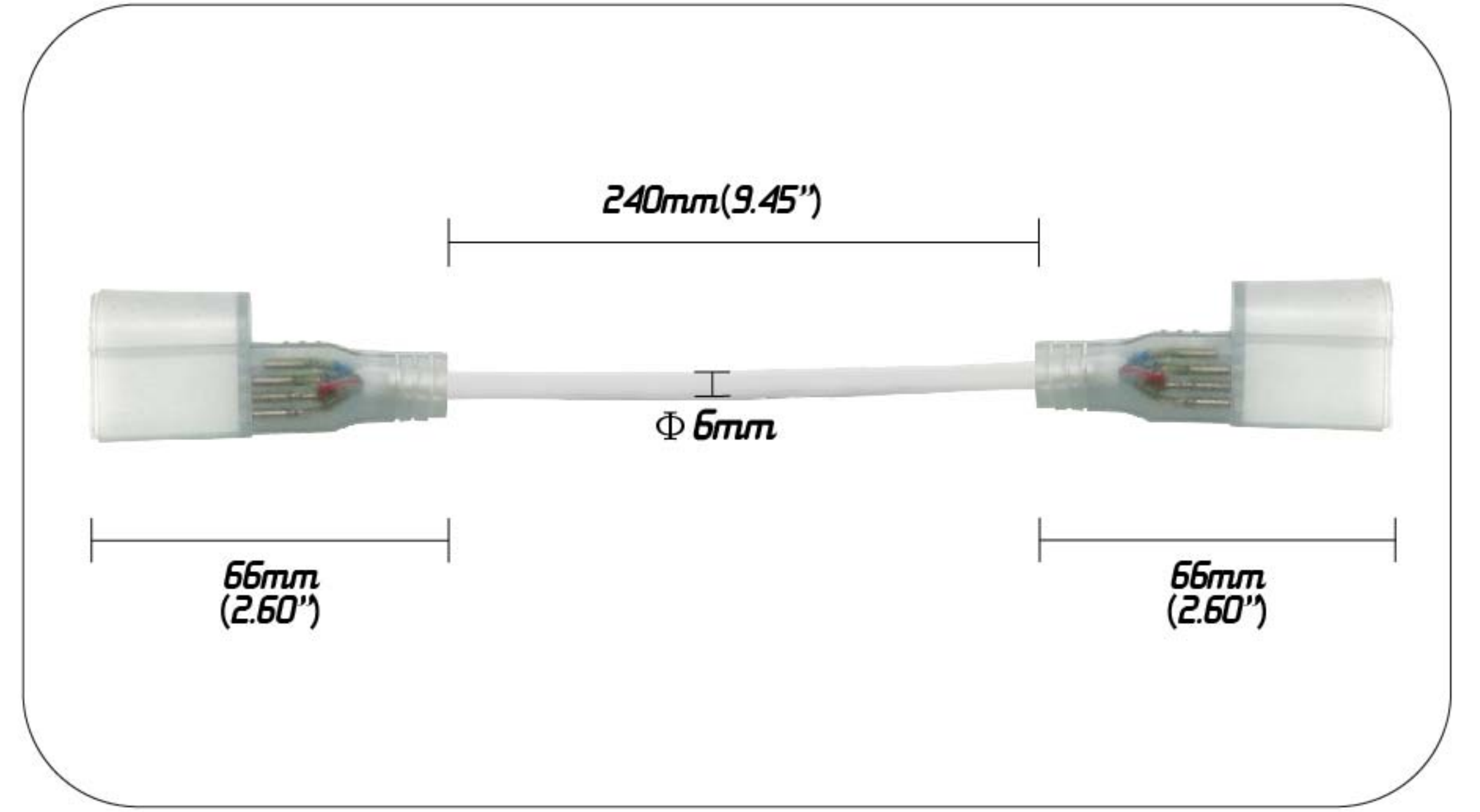


END CAP

**IP65 (DIY Connector)**

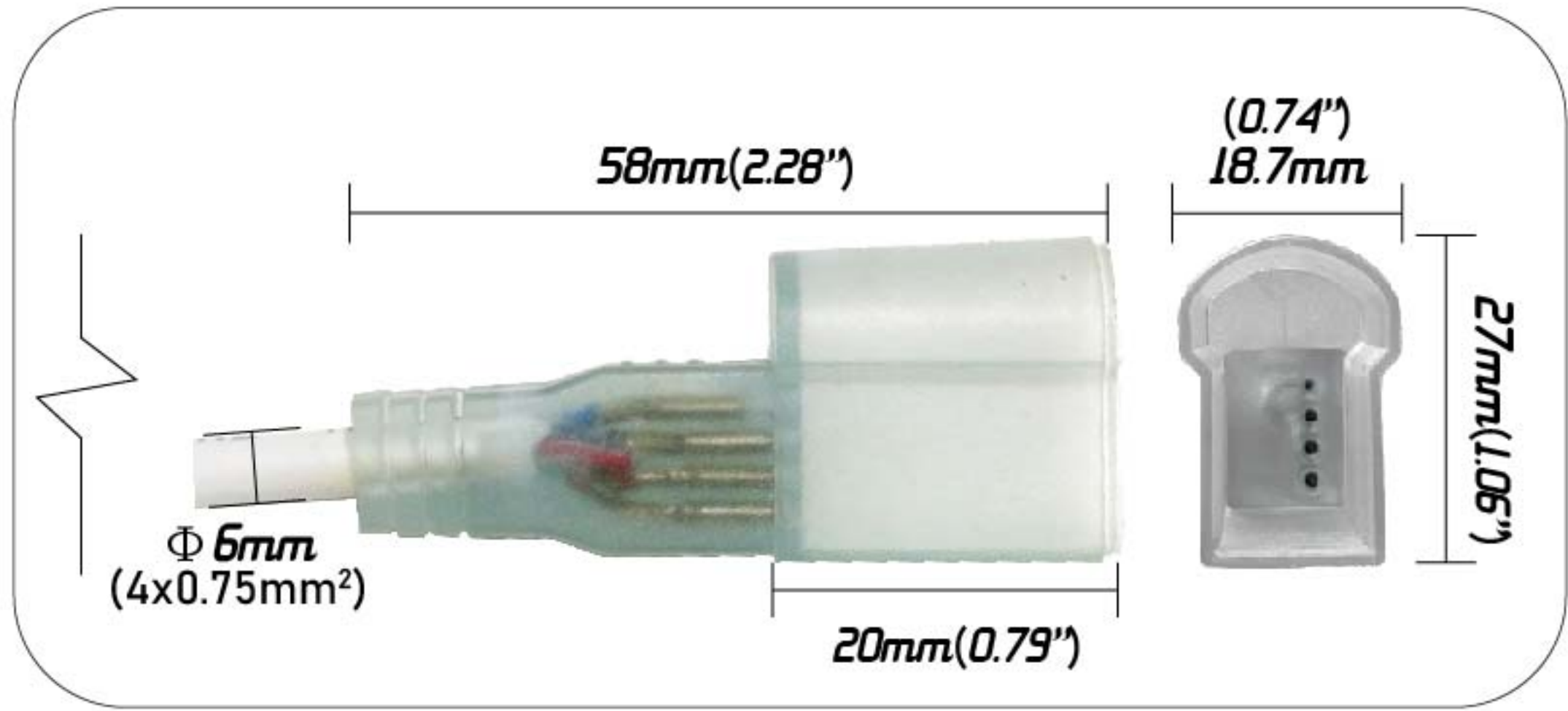


Cable Length: 50cm

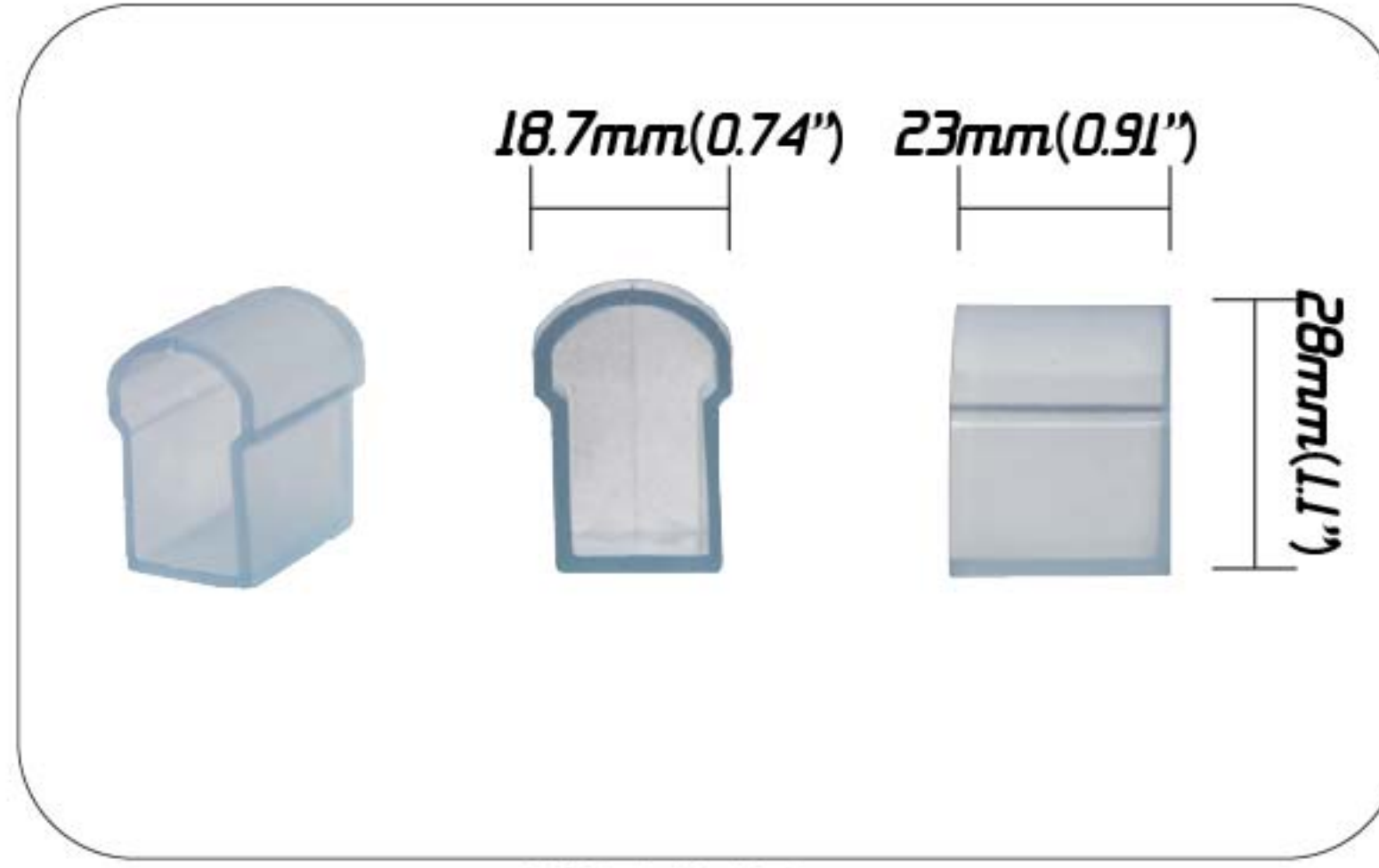


**MIDDLE CONNECTOR**

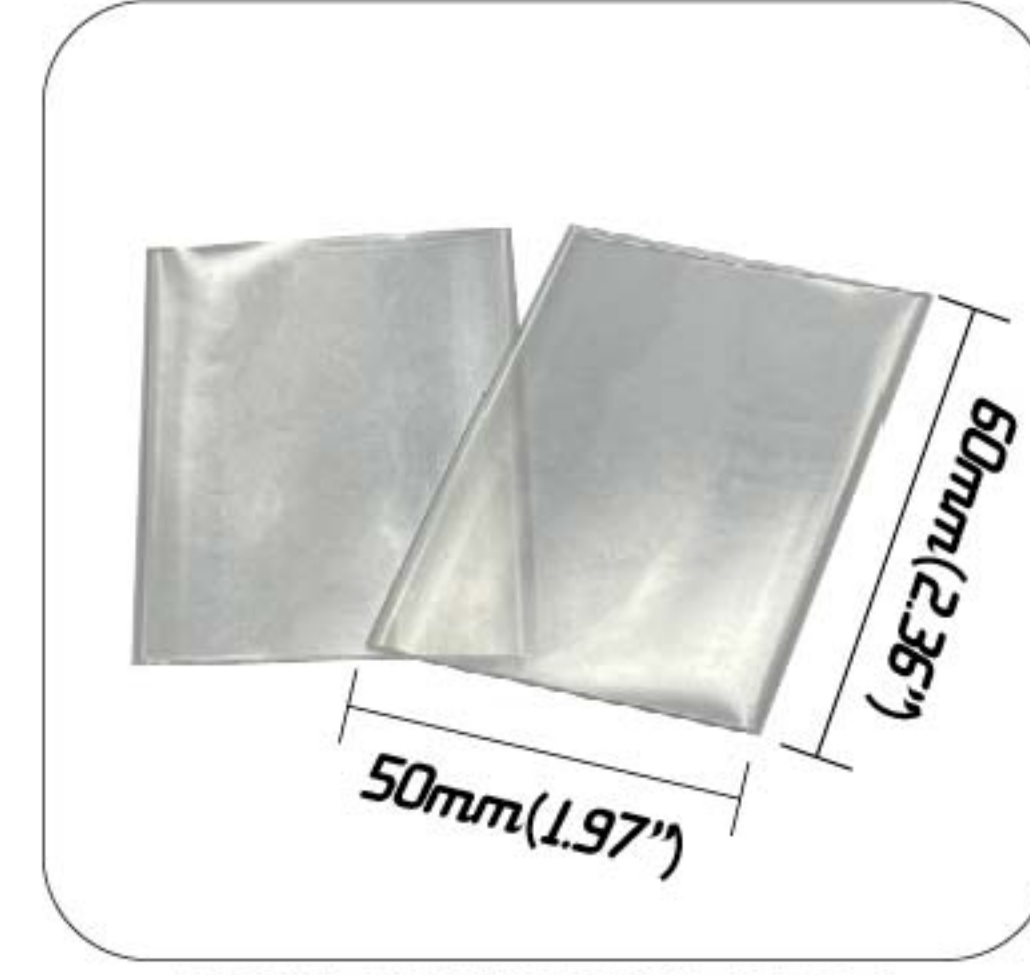
**• Part Details**



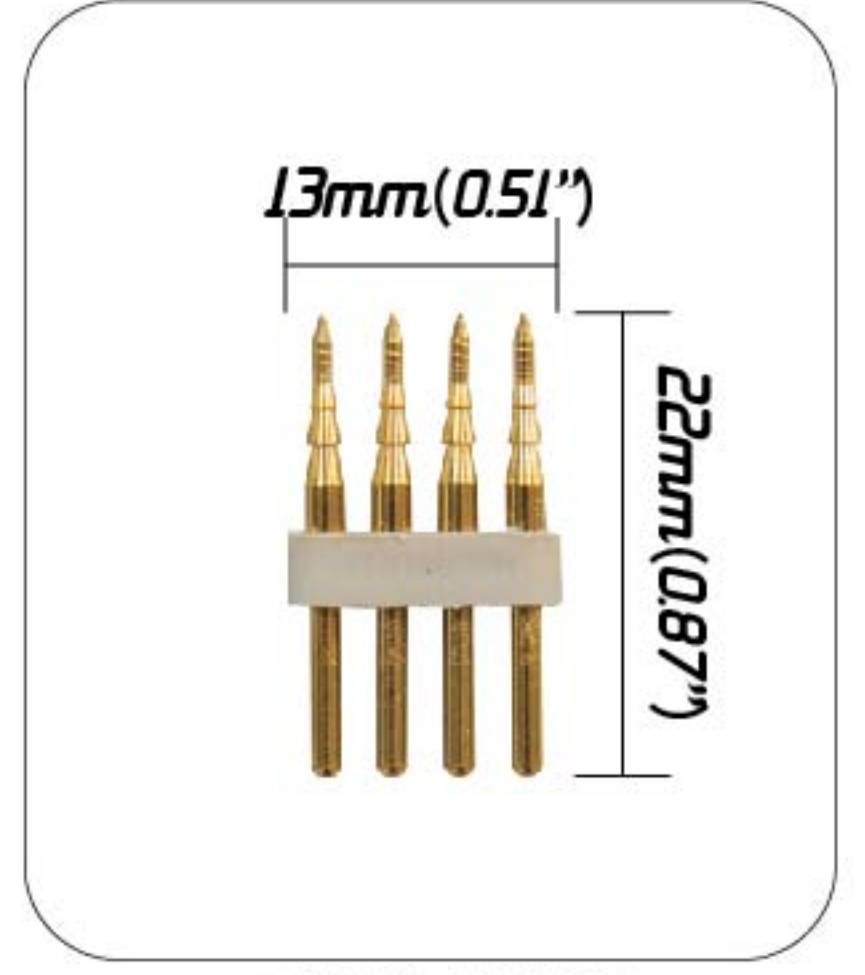
**FRONT CONNECTOR**



**END CAP**

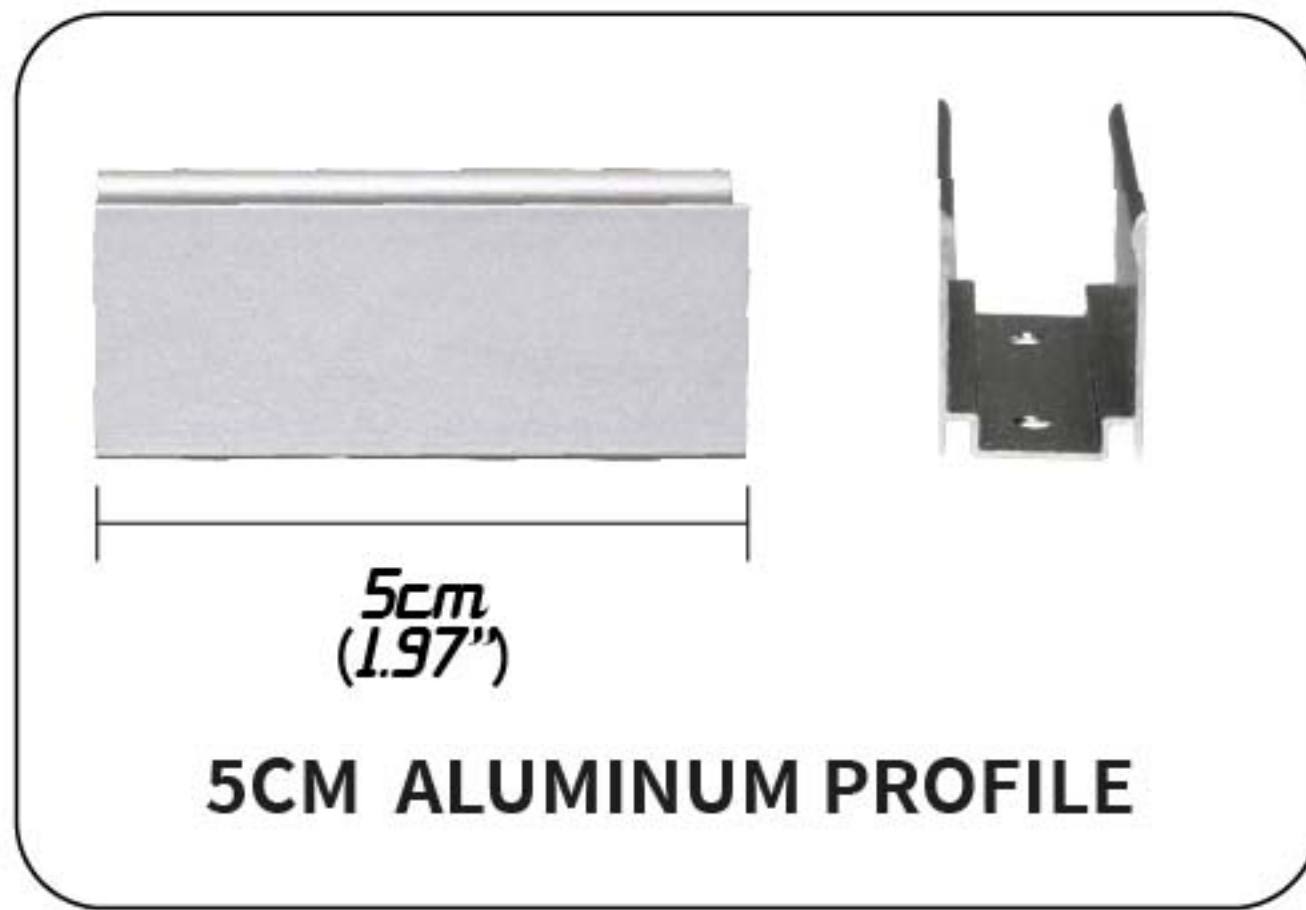


**HEAT-SHRINK TUBE**



**PIN2-PINS FOR MONO COLOR**

**Mounting Aluminum Channel**



**5CM ALUMINUM PROFILE**



**ALUMINUM CHANNEL (1M, 2M, 3M)**

