



Professional LED Light Manufacturer
Since 2008

www.wilgex-led.com

(86) 769-28820681

info@wilgex-led.com

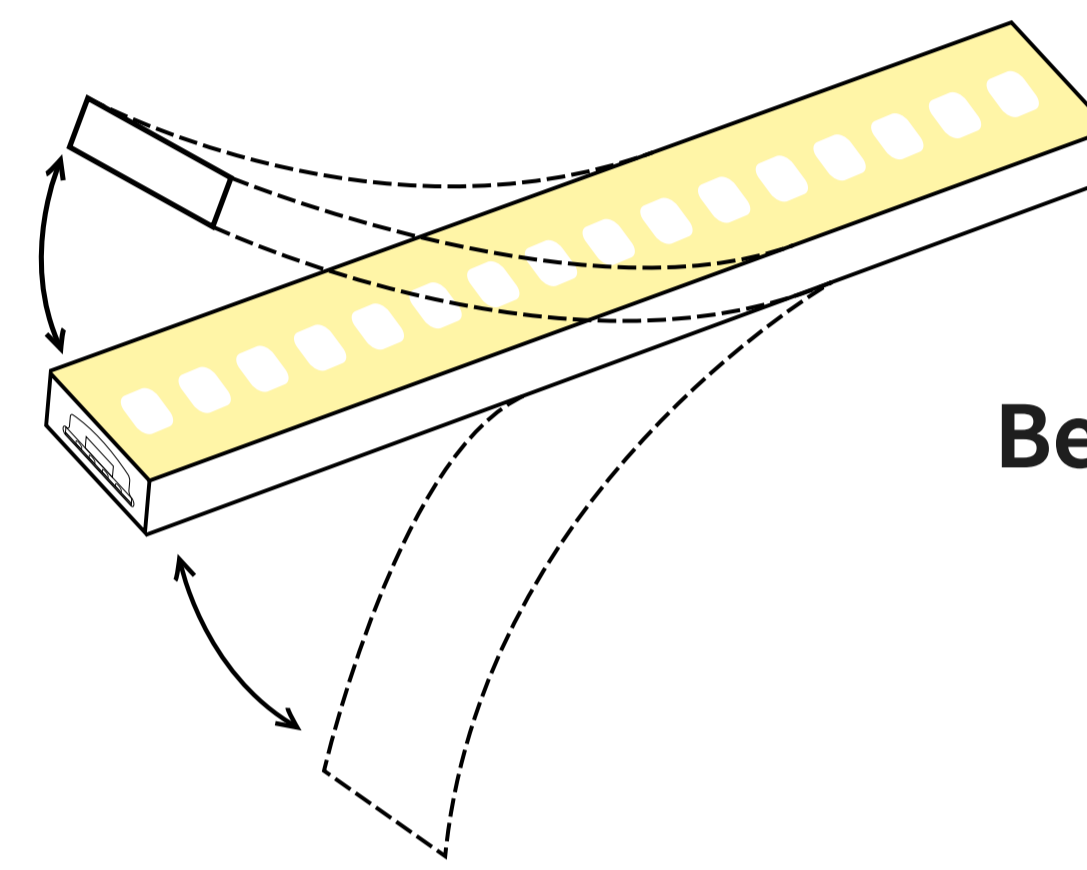
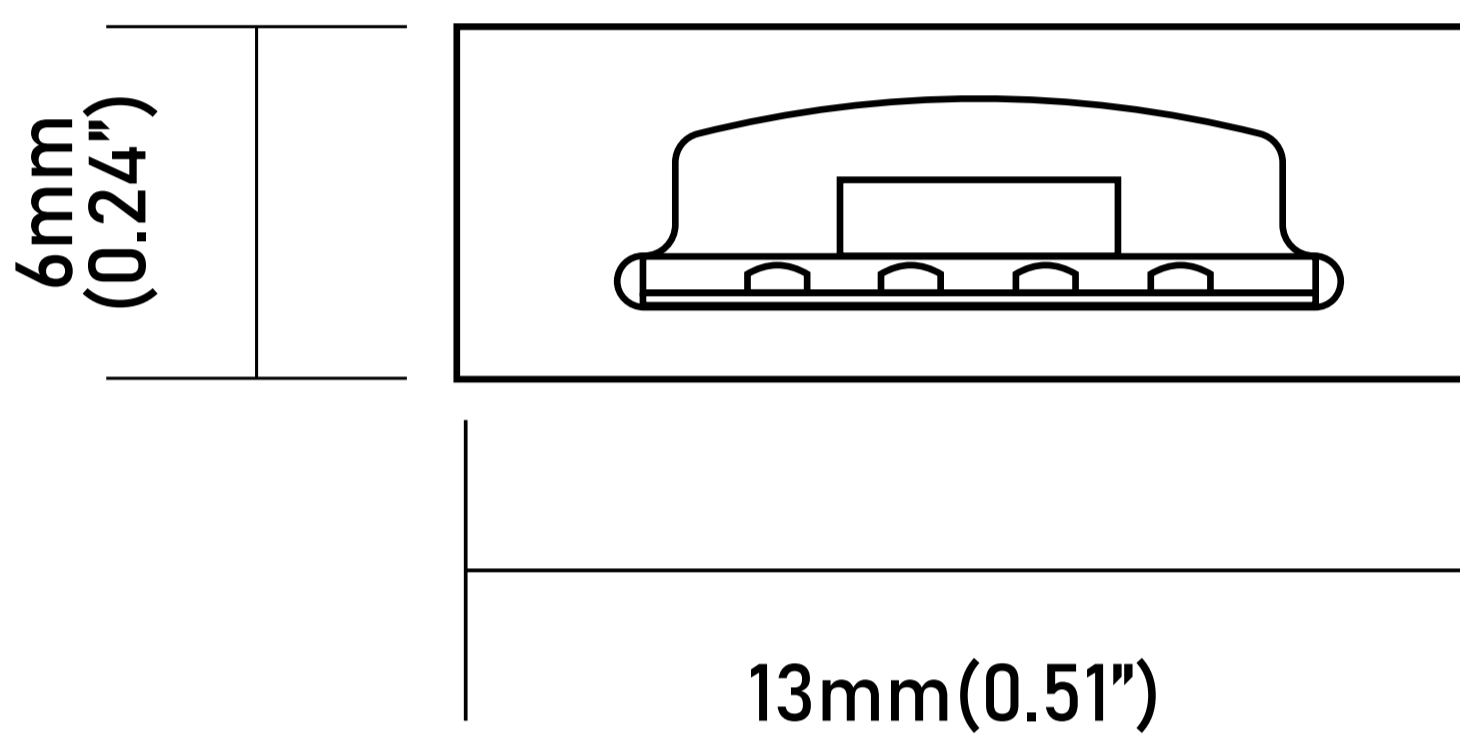
14x5mm
SILICONE

RGB COLOR
12V/24V

SKU:WJ-SLS-1405-RGB -12V/24V



Structural Drawing & Bending Direction



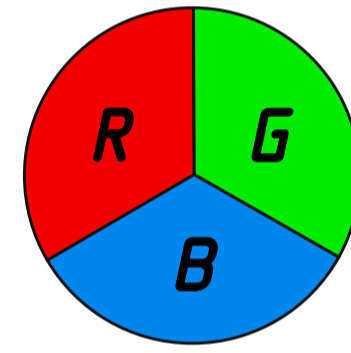
Bending Direction: vertical

Certifications



Technical Data

PWM-RGB



Color Temp	Red: 623.3nm Green: 523.6nm Blue: 469.6nm White: 6500K(Color mixing)	Watts/m(24V Flat)	Red: 3.51 W Green: 4.12 W Blue: 4.35 W White: 11.71 W(Color mixing)
Lumen/m (24V Flat)	Red: 133.79 lm Green: 285.83 lm Blue: 55.57 lm White: 448.87 lm(Color mixing)	Unit Cut(24V)	8.83cm
LED Quantity(m)	72 LEDs	Max Loading(24V)	5m

Optical Parameter Chart for Integrating Sphere Testing

Chroma Parameters
Chro.Coor.: x=0.2426 y=0.2493 u=0.1762 v=0.2716 duv=0.0057
CCT: Tc=38917K Dominant Wave.: 479.3nm Purity: 38.5%
Flux Ratio: R=22.2%,G=65.9%,B=11.9% Peak Wave.: 464.7nm Half Width: 22.0nm

Bending Index: Ra= 37.4
R1 =23.1 R2 =45.7 R3 =60.9 R4 =45.0 R5 =46.5 R6 =45.6 R7 =46.6
R8 =-13.9 R9 =-259.7R10=-30.5 R11=41.0 R12=51.5 R13=23.2 R14=74.0
R15=-0.2

Photo Parameters
Flux: 448.961m Effi.: 38.31m/W Radiant: 2284.4mW Iv: 0.0mcd

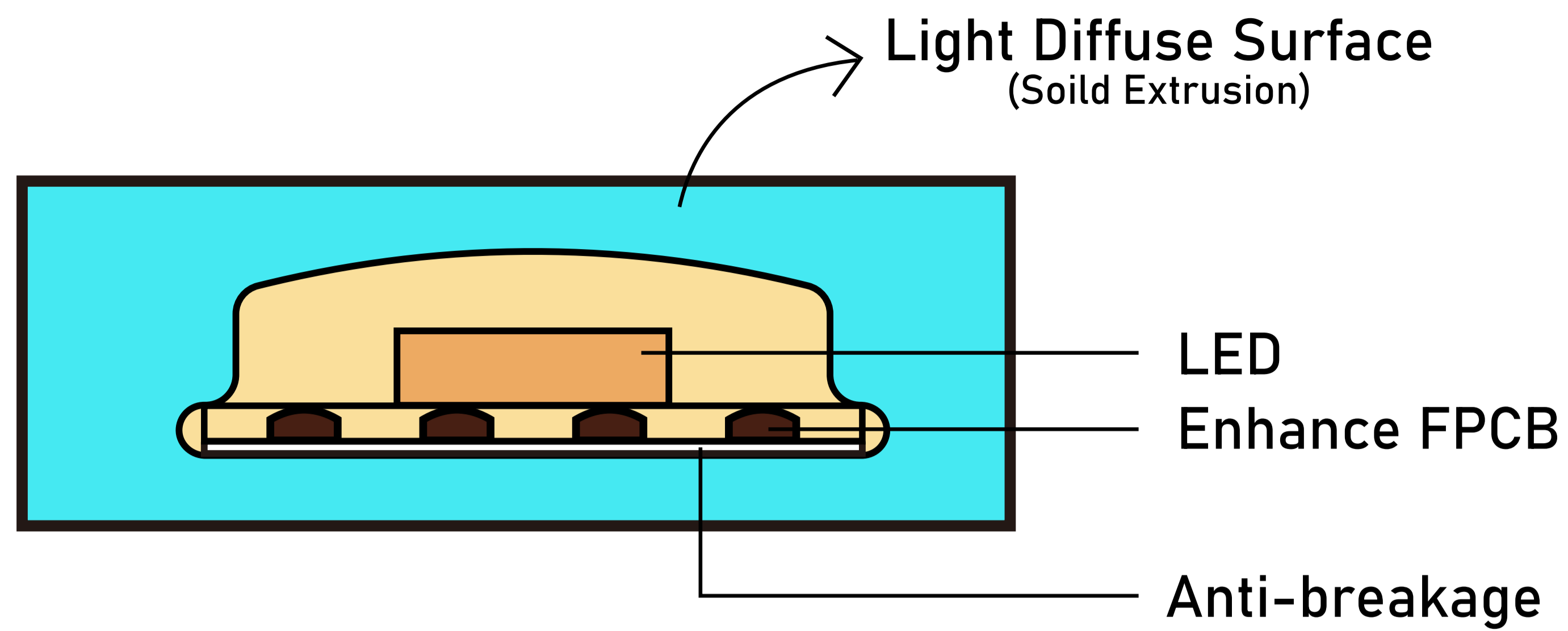
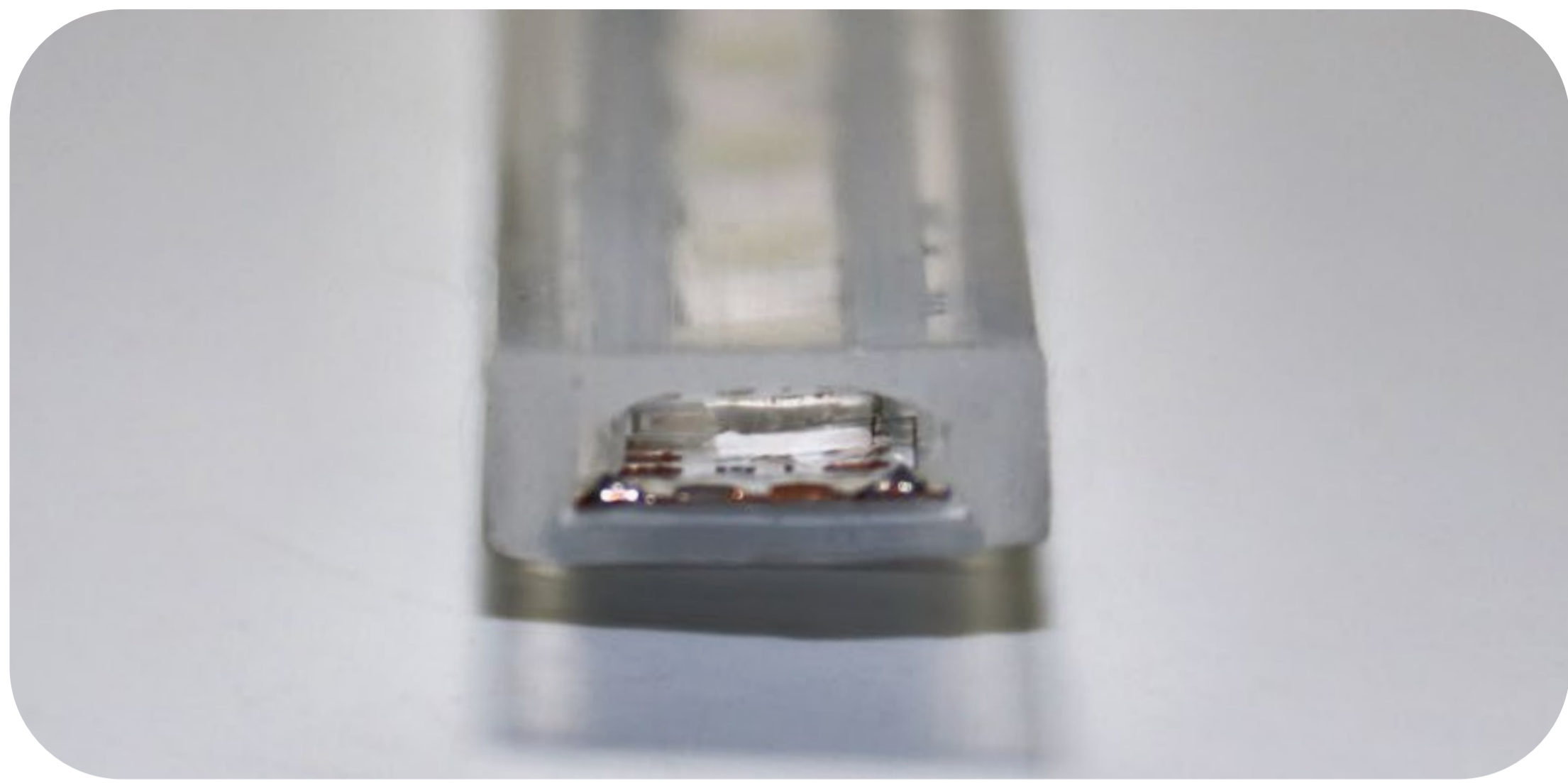
Ele. Parameters
Voltage:U=24.000V Current:I=0.4880A
Power:P=11.72W Power Factor:PF=1.000

Reliability test

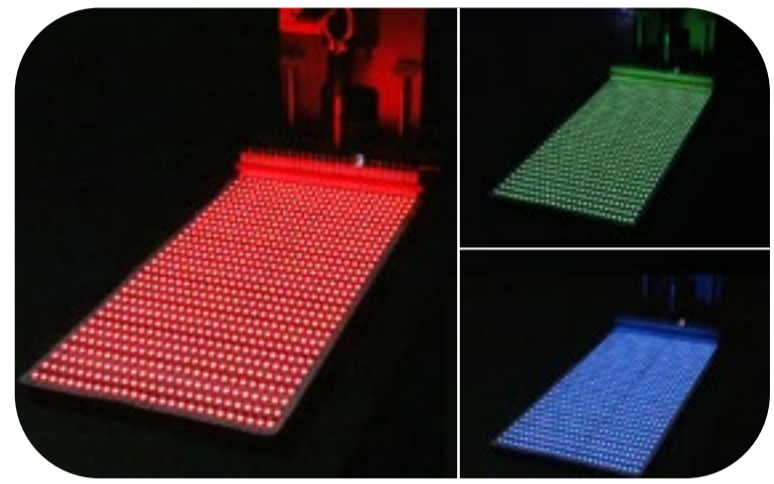
TEST CATEGORY	TEST ITEMS	STANDARD/VALUE
Optical Test	Spectrum Analysis	IES LM 79(CCT, lumen, CRI, SDCM, XY, wavelength)
	Photometric Distribution	IES LM 79(lumen intensity distribution & Lux diagram)
	Lumen Maintenance & Lifetime	IES LM84 & IES TM 28
Temperature Test	Nomal Temperature Test -25°C	UL 1598 & UL2388 & IEC60598-1 & IEC60598-2-21
	Abnormal Operation Test -70°C	UL 1598 & UL2388 & IEC60598-1 & IEC60598-2-21
Physics Test	Bending Test	Manufacturer-defined, 1000 cycles
	Swing Test	UL2388, >750 cycles
	Tensile Test	Manufacturer-defined, >the weight of light in max. running length by double ends feed
	Twist Test	Manufacturer-defined, 200 cycles
	IK08	IEC62262
Weathering Test	Ball Impact	UL 1598 & UL2388 & IEC60598-1 & IEC60598-2-21
	Swimming Pool Water Immersion Test	GB9667, PH6.8-7.6, free chlorine 0.3-0.6mg/L
	Sea Water Immersion Test	IEC 60598-1, Salinity 4%
	Salt Spray Test	IEC68-2-11
Environment Test	Outdoor Exposure	Manufacturer-defined
	Flame Resistant Test	UL94
	UV Exposure Test	ASTMG154, UVA@340nm
	IPX5 IPX6 IPX7 IPX8	IEC60529
	Temperature Shock Test	Manufacturer-defined, -40°C-60°C(typical temperature range)
	Constant Temperature Test	Manufacturer-defined, 70°C(typical temperature range)

Wilgex specializes in engineering LED flexible neon lights and offers both standard and customized services. If you have specific requirements, please contact our sales department.

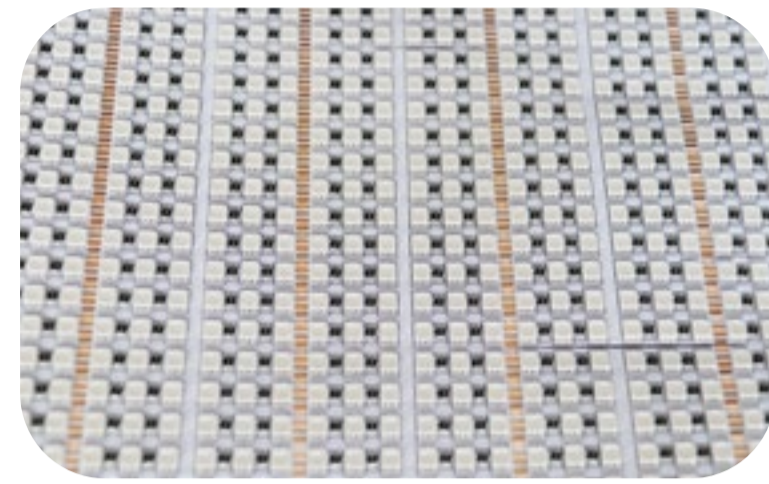
Four-star quality assurance



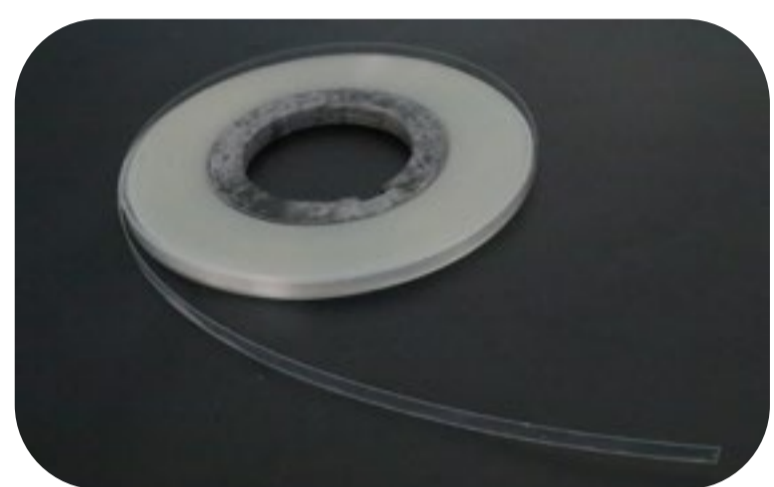
Unique Design



★ Enhance thickness FPC design principle



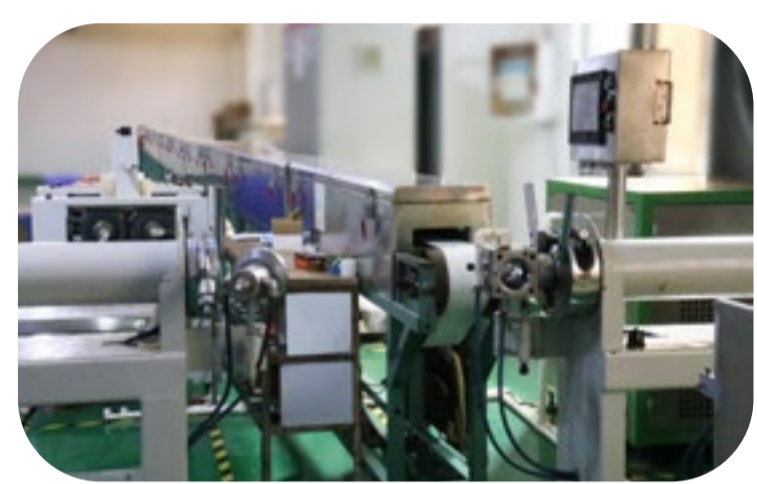
★ LED anti-death design



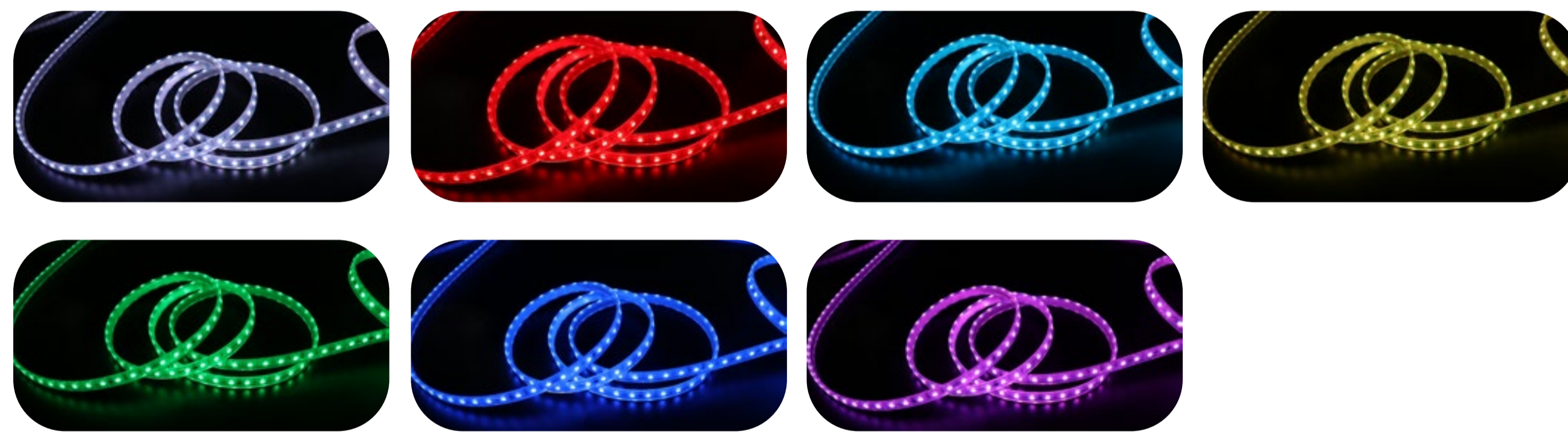
★ Add a break protection layer



★ Solid extrusion design for exterior



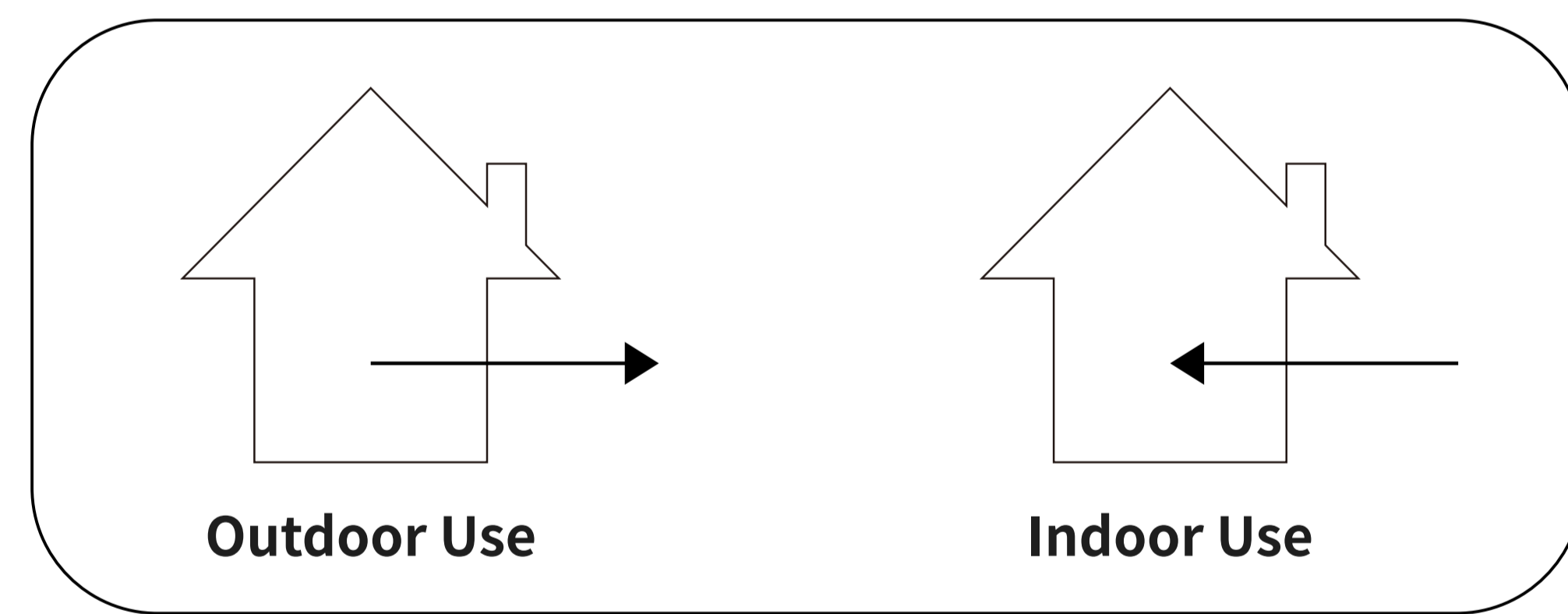
Wide Color Options



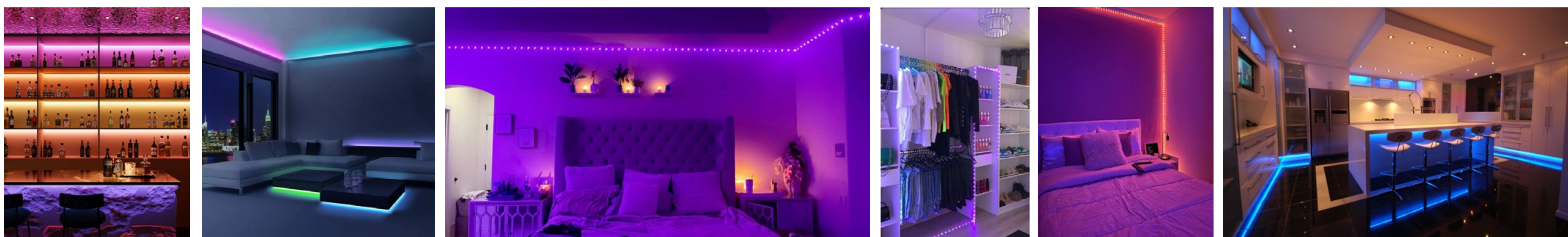
RGB Color Mixing - Color changing, Fading, Chasing effect

Recommended Usage Scenarios :

1. Indoor and outdoor architectural lighting decoration
2. Landscape lighting
3. Advertising signage lighting
4. Stage and theater lighting
5. Car and motorcycle lighting
6. Holiday and event lighting decoration
7. Cove lighting
8. Edge-lit lighting
9. Retail and display lighting
10. Restaurant and bar lighting



Please note that these are only recommended usage scenarios and it is important to consult the product specifications and guidelines before using light led strips in any application.



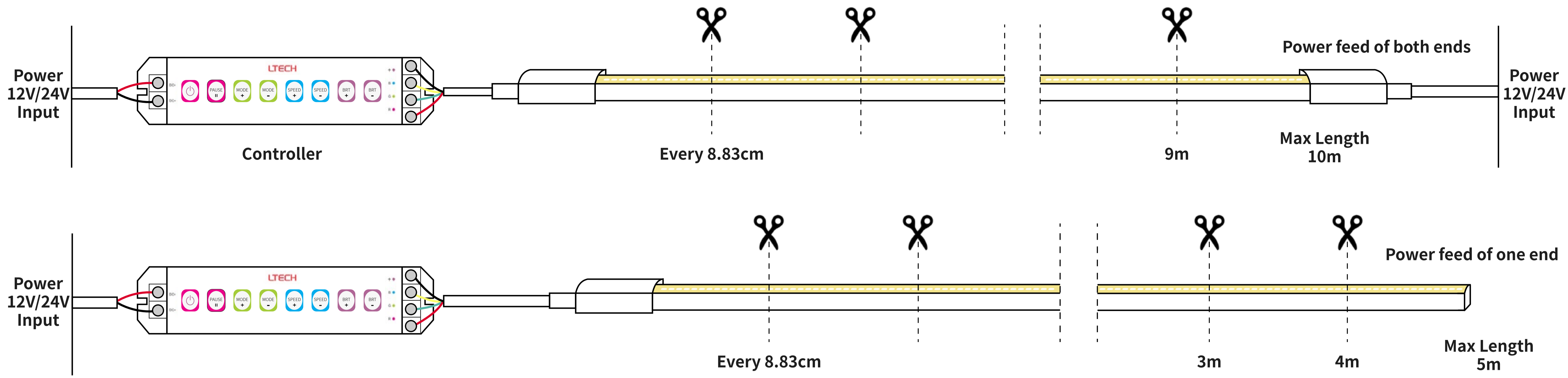
Package



Packing Method : Reel + Boardcards
 Quantity / Box : 5 meters / reel
 Gross Weight : 0.62 Kg (1.37LB)

Mini Cutting Length & Connection Length

• Voltage (12V/24V)



Controller (PWM compatible controller - 4 wires: 24V+, Red-, Blue- and Green-)



LT-3600RF
LED RGB Controller

IP65 (DIY Connector)

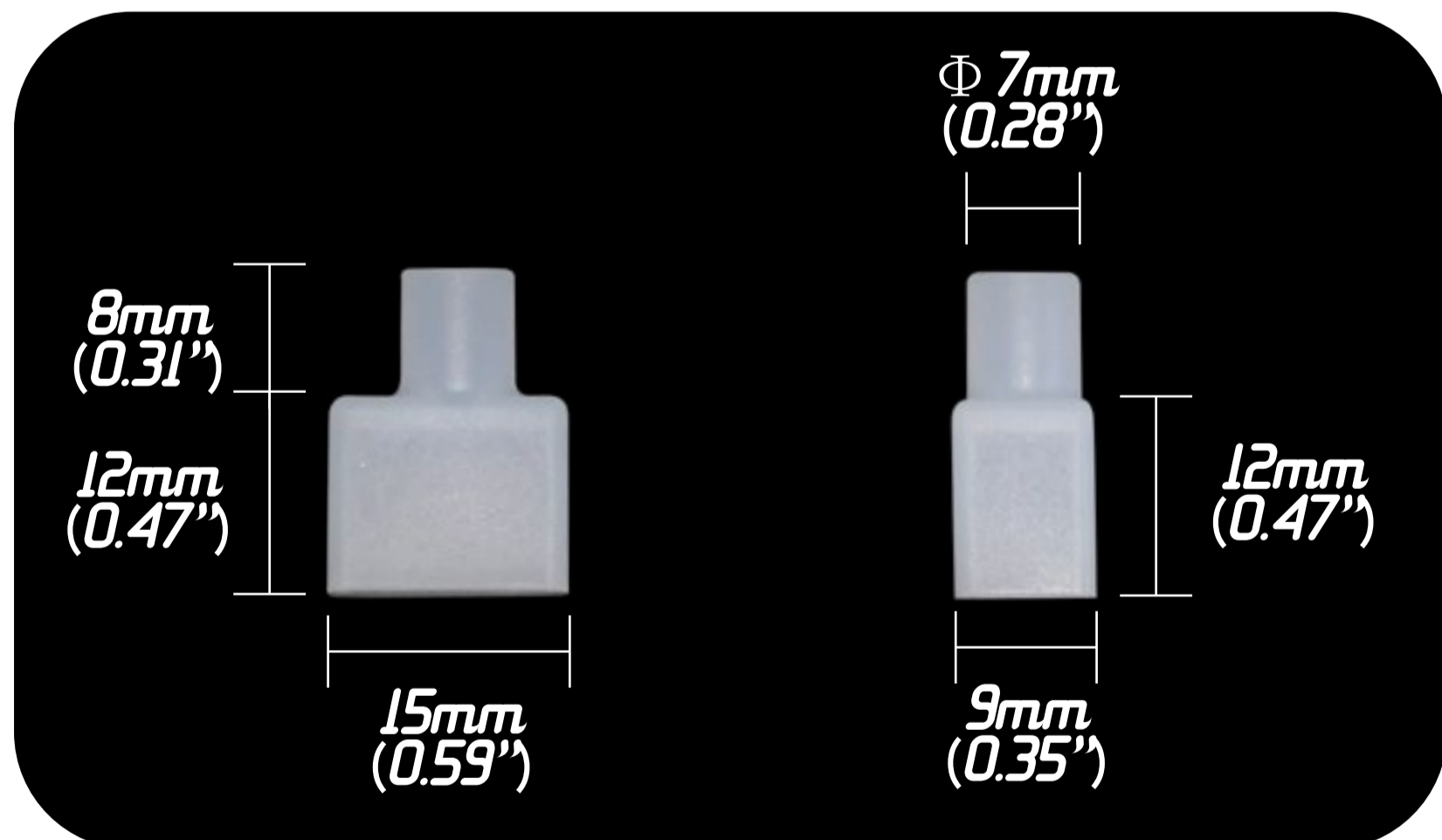
• Voltage (12V / 24V)



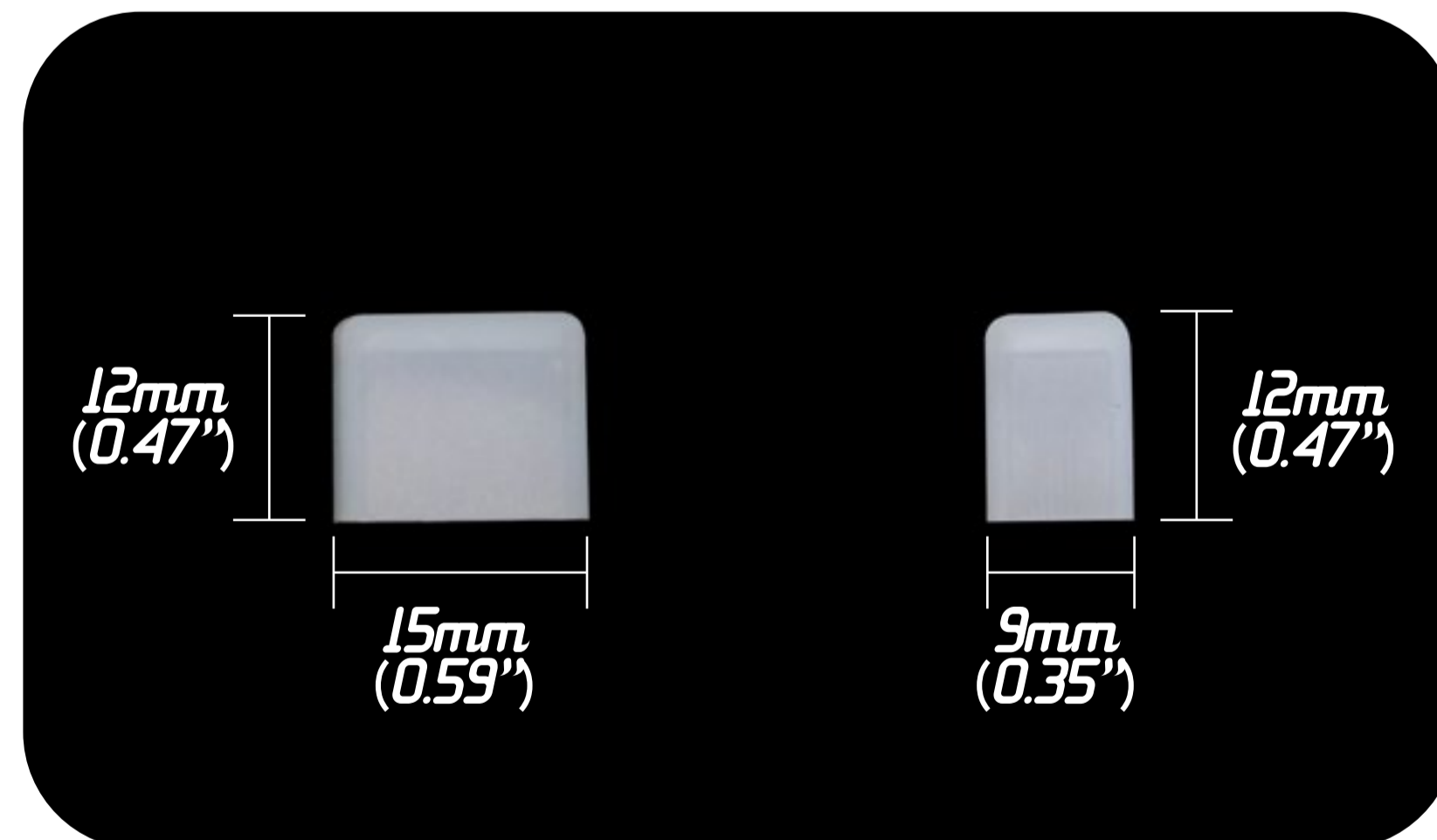
FRONT CONNECTION

END CONNECTION

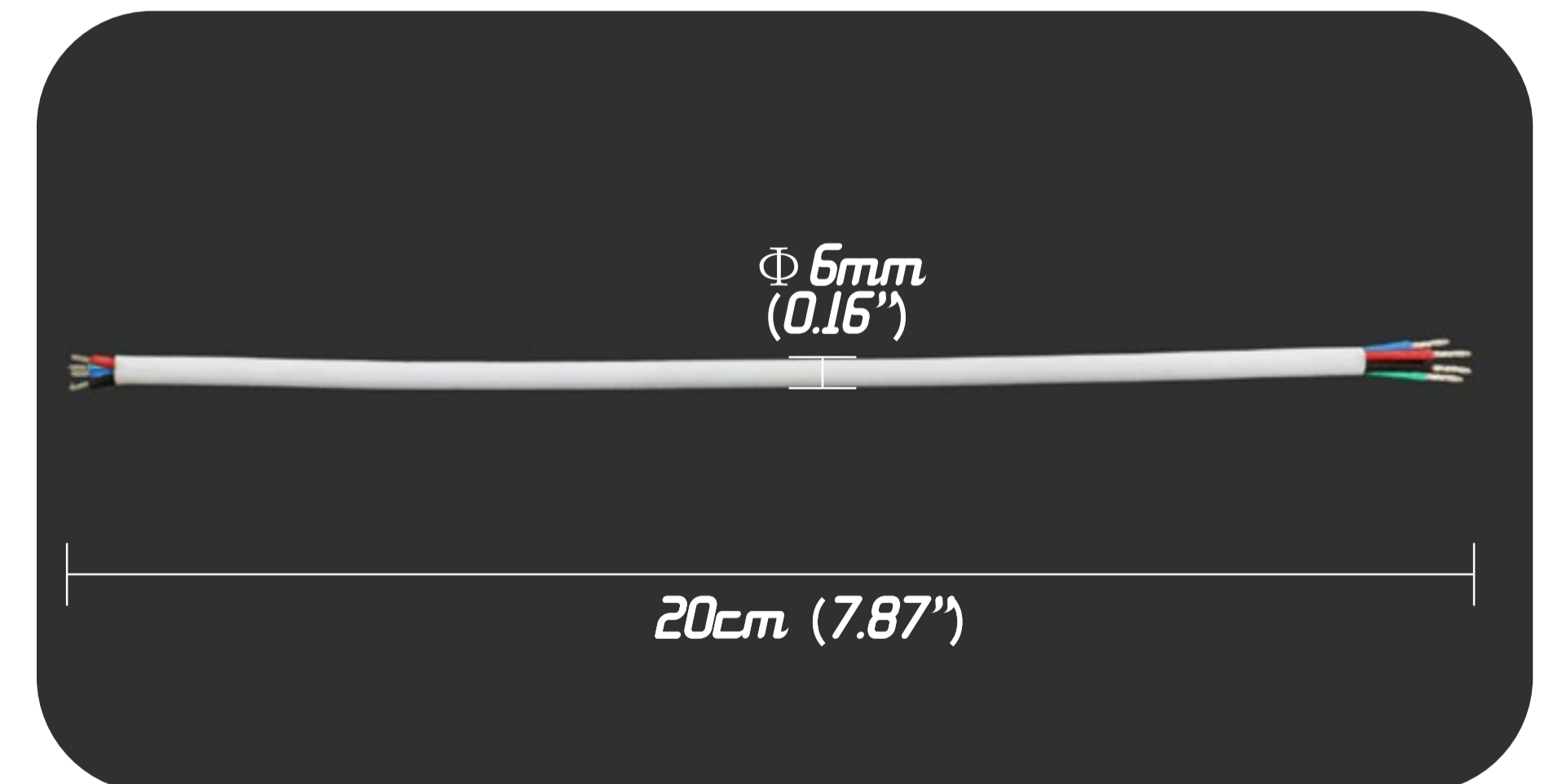
• Part Details



FRONT CONNECTION FITTING

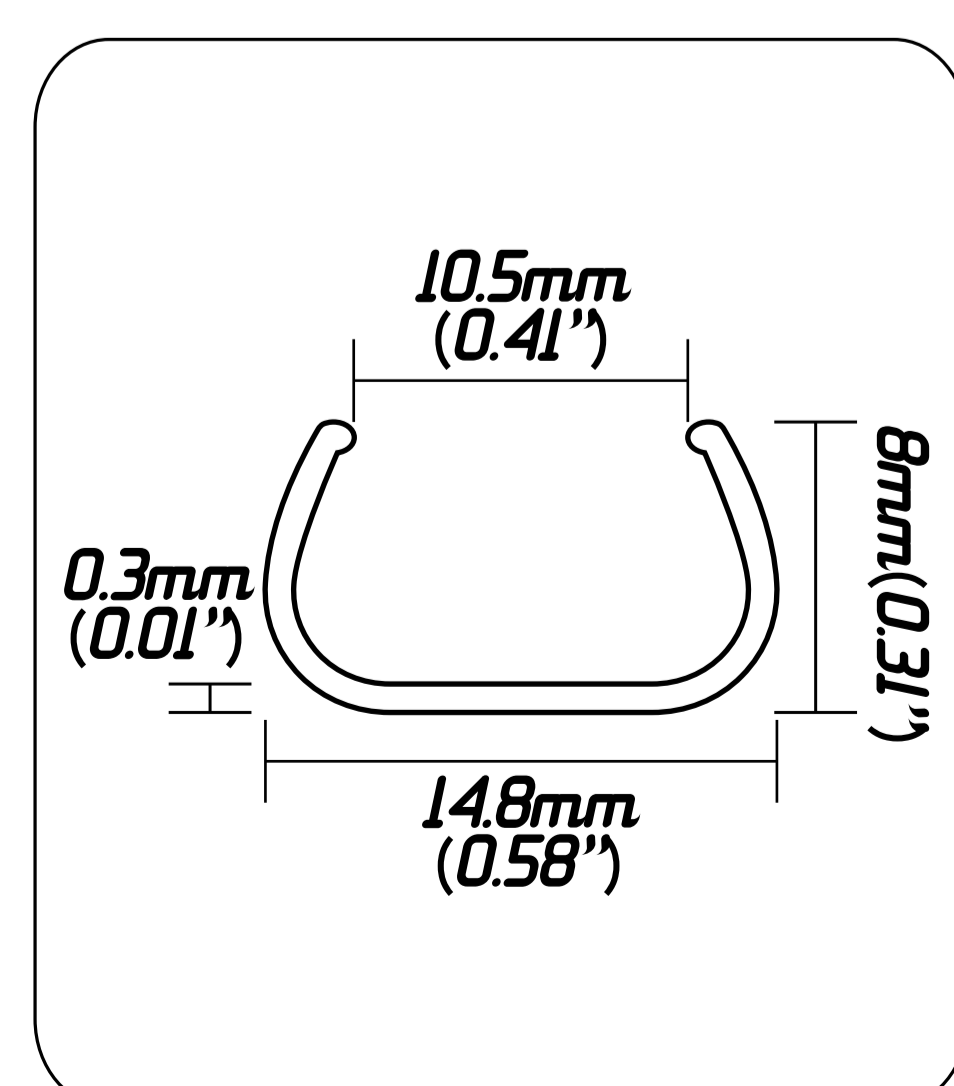


TAIL FITTING



SILICONE POWER WIRE (4 CORDS)

Mounting Aluminum Channel



3M Double-sided Adhesive For Sticking

