

# Wilgex<sup>®</sup>

Professional LED Light Manufacturer  
Since 2008

[www.wilgex-led.com](http://www.wilgex-led.com)

(86) 769-28820681

[info@wilgex-led.com](mailto:info@wilgex-led.com)

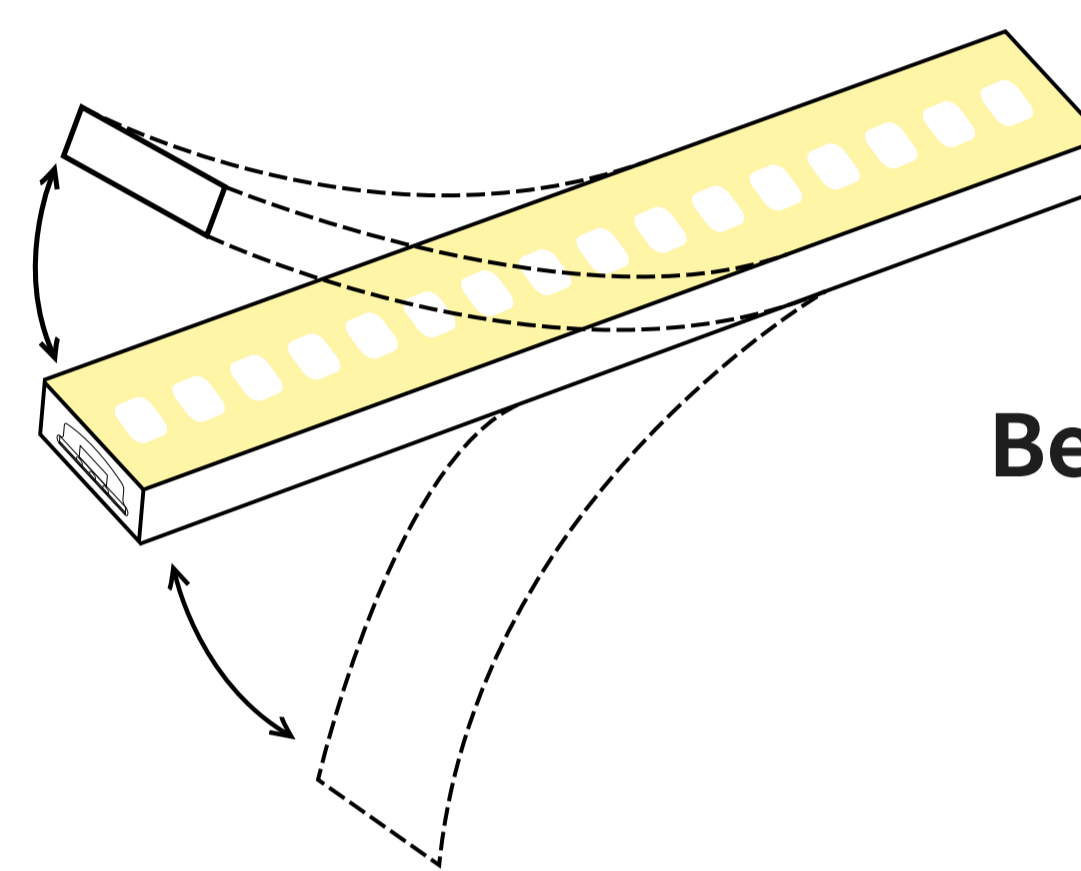
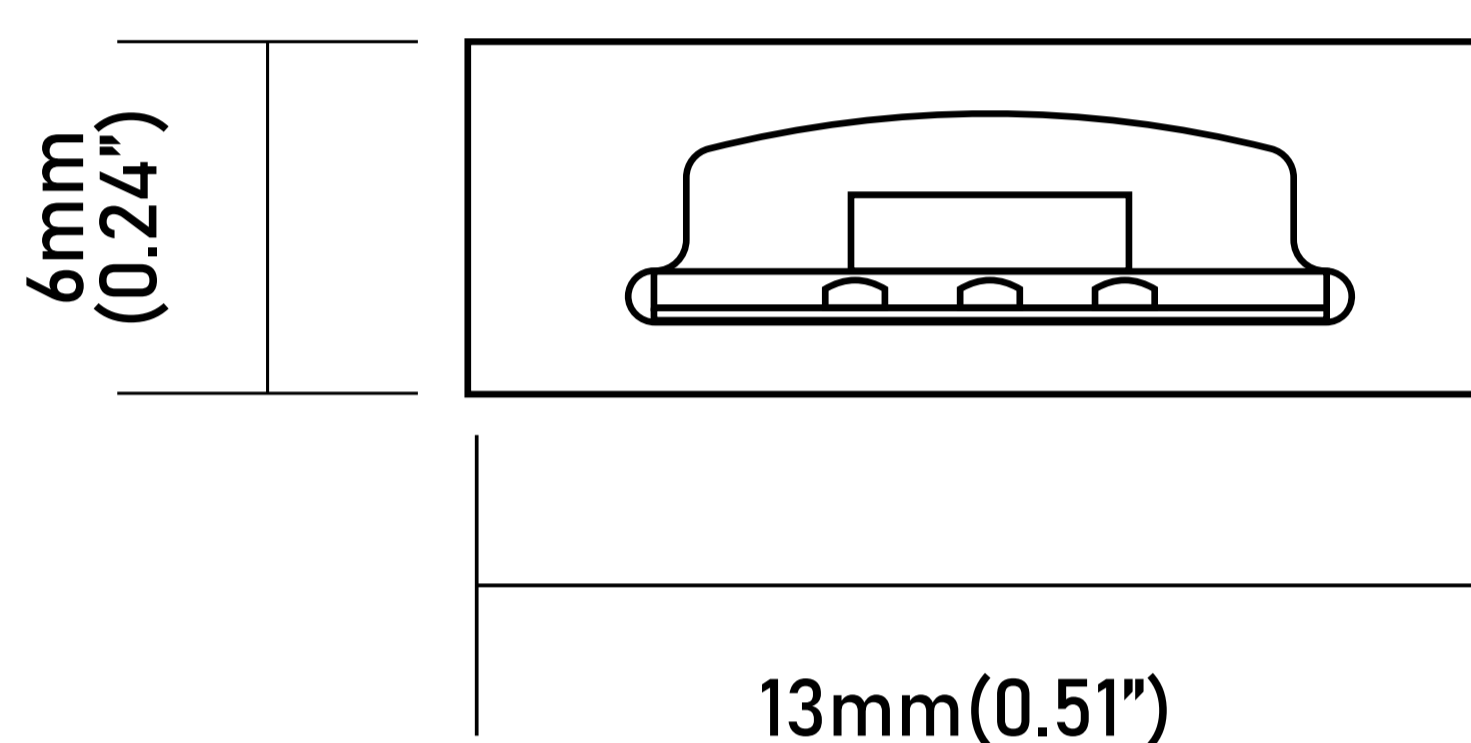
## 14x5mm SILICONE

## SILICONE DYNAMIC PIXEL RGB COLOR 12V/24V

SKU:WJ-SLS-1405-D-RGB-12V/24V



### Structural Drawing & Bending Direction



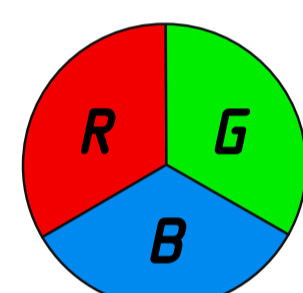
Bending Direction: vertical

### Certifications



### Technical Data

SPI-RGB



Color Temp

Red: 624.9nm  
Green: 524.1nm  
Blue: 469.1nm  
White: 6500K (Color mixing)

Watts/m( 24V Flat)

Red: 4.82 W  
Green: 4.95 W  
Blue: 5.19 W  
White: 11.66 W (Color mixing)

Lumen/m ( 24V Flat)

Red: 122.39 lm  
Green: 229.12 lm  
Blue: 47.01 lm  
White: 383.20 lm (Color mixing)

Unit Cut(24V)

10cm

Max Loading(24V)

5m

LED Quantity(m)

60 LEDs + 10 ICs  
IC code: SM16703P  
(compatible with all ICs and controllers in the WS2811, 1804, and 1809 series)

### Optical Parameter Chart for Integrating Sphere Testing

Chroma Parameters  
Chro. Coor.: x=0.2614 y=0.2368 u=0.1966 v=0.2671 duv=-0.0151  
CCT: Tc=33295K Dominant Wave.: 470.3nm Purity: 34.7%  
Flux Ratio: R=27.4%, G=60.9%, B=11.7% Peak Wave.: 463.7nm Half Width: 21.2nm

Bending Index: Ra= 17.0  
R1 =-10.9 R2 =28.1 R3 =61.1 R4 =15.3 R5 =17.5 R6 =28.3 R7 =42.2  
R8 =-45.1 R9 =-335.7 R10=-67.3 R11=0.5 R12=32.3 R13=-6.6 R14=72.5  
R15=-34.9

Photo Parameters  
Flux: 385.46lm Effi.: 33.4lm/W Radiant: 2051.0mW Iv: 0.0mcd

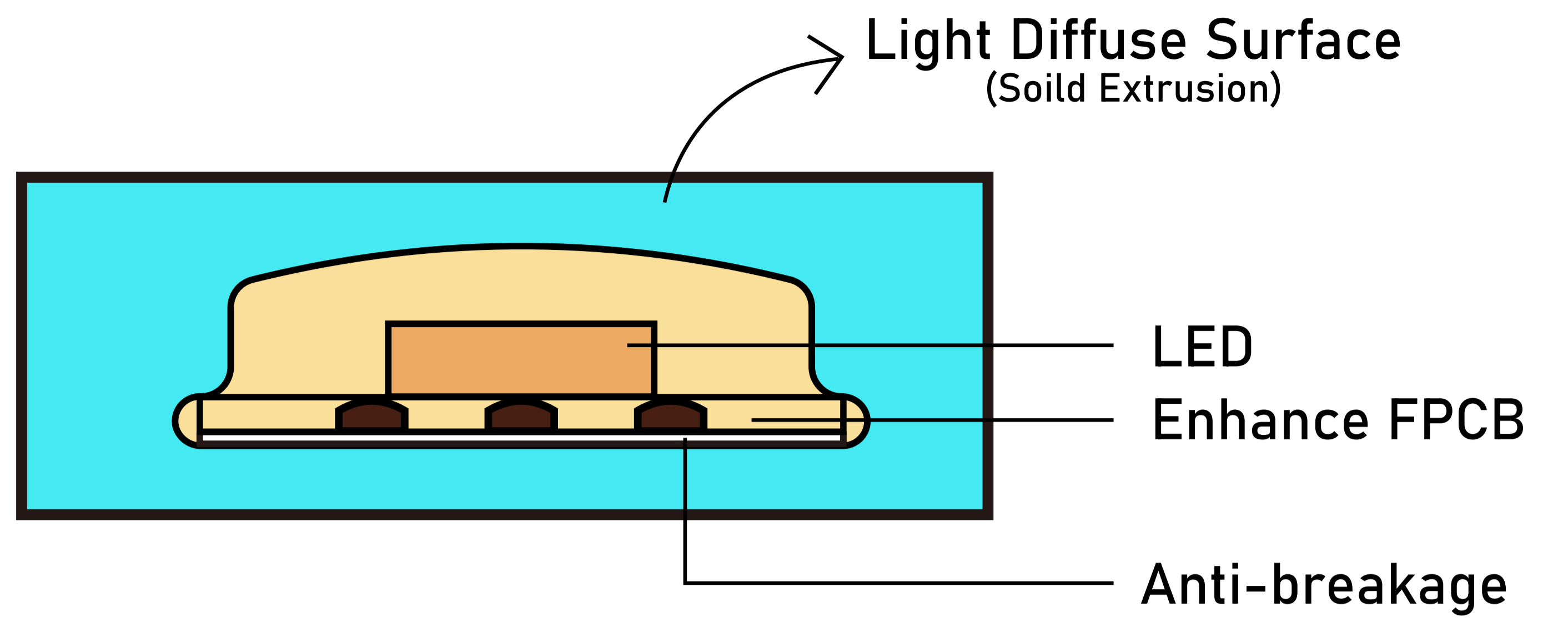
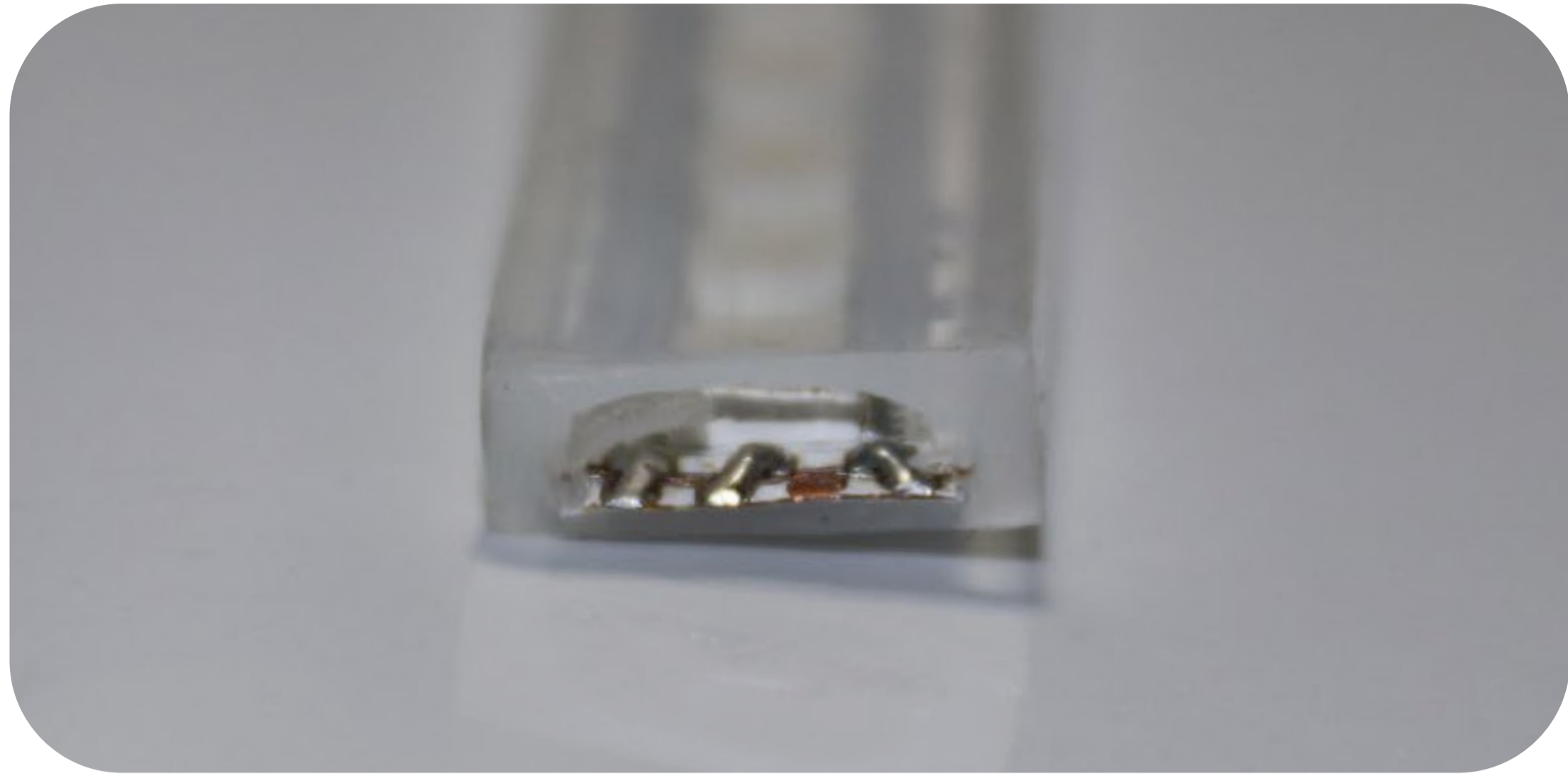
Ele. Parameters  
Voltage: U=24.000V Current: I=0.4800A  
Power: P=11.54W Power Factor: PF=0.999

### Reliability test

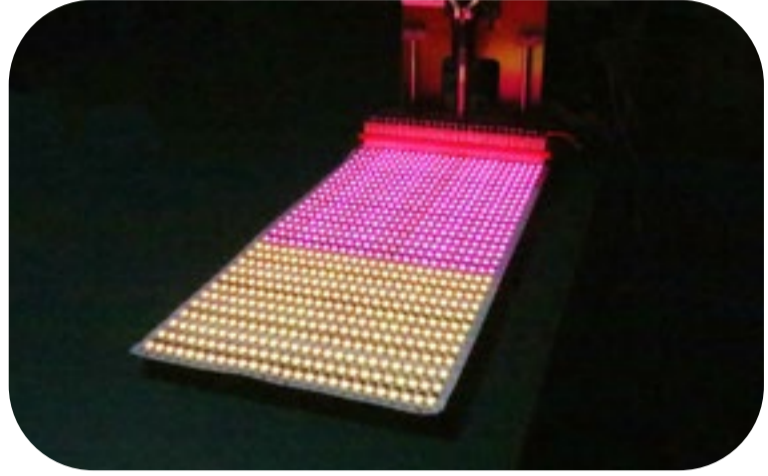
TEST CATEGORY	TEST ITEMS	STANDARD/VALUE
Optical Test	Spectrum Analysis	IES LM 79(CCT, lumen, CRI, SDCM, XY, wavelength)
	Photometric Distribution	IES LM 79(lumen intensity distribution & Lux diagram)
	Lumen Maintenance & Lifetime	IES LM84 & IES TM 28
Temperature Test	Nomal Temperature Test -25°C	UL 1598 & UL2388 & IEC60598-1 & IEC60598-2-21
	Abnormal Operation Test -70°C	UL 1598 & UL2388 & IEC60598-1 & IEC60598-2-21
Physics Test	Bending Test	Manufacturer-defined, 1000 cycles
	Swing Test	UL2388, >750 cycles
	Tensile Test	Manufacturer-defined, >the weight of light in max. running length by double ends feed
	Twist Test	Manufacturer-defined, 200 cycles
	IK08	IEC62262
	Ball Impact	UL 1598 & UL2388 & IEC60598-1 & IEC60598-2-21
Weathering Test	Swimming Pool Water Immersion Test	GB9667, PH6.8-7.6, free chlorine 0.3-0.6mg/L
	Sea Water Immersion Test	IEC 60598-1, Salinity 4%
	Salt Spray Test	IEC68-2-11
	Outdoor Exposure	Manufacturer-defined
Environment Test	Flame Resistant Test	UL94
	UV Exposure Test	ASTMG154, UVA@340nm
	IPX5 IPX6 IPX7 IPX8	IEC60529
	Temperature Shock Test	Manufacturer-defined, -40°C-60°C(typical temperature range)
	Constant Temperature Test	Manufacturer-defined, 70°C(typical temperature range)

Wilgex specializes in engineering LED flexible neon lights and offers both standard and customized services. If you have specific requirements, please contact our sales department.

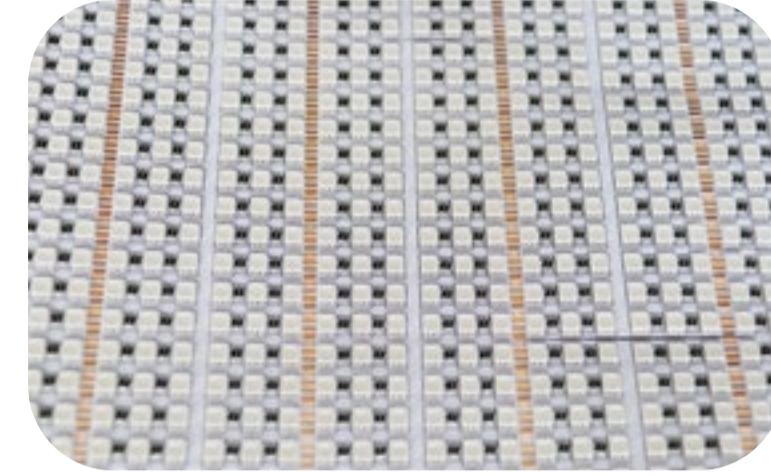
**Four-star quality assurance**



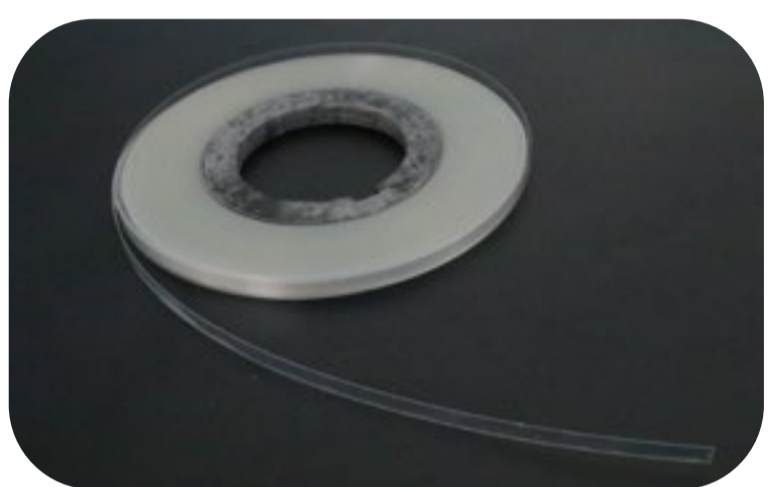
**Unique Design**



★ Enhance thickness FPC design principle



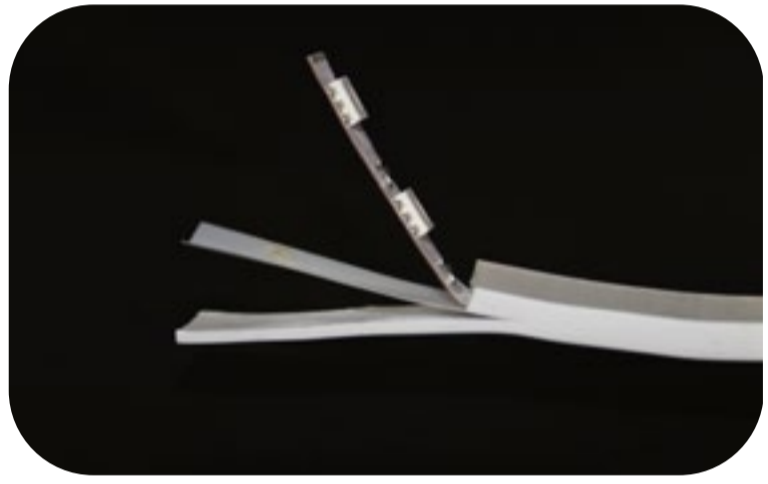
★ LED anti-death design



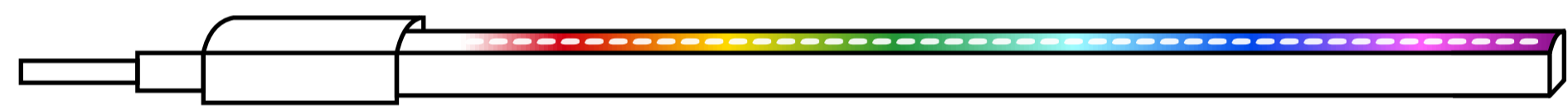
★ Add a break protection layer



★ Solid extrusion design for exterior



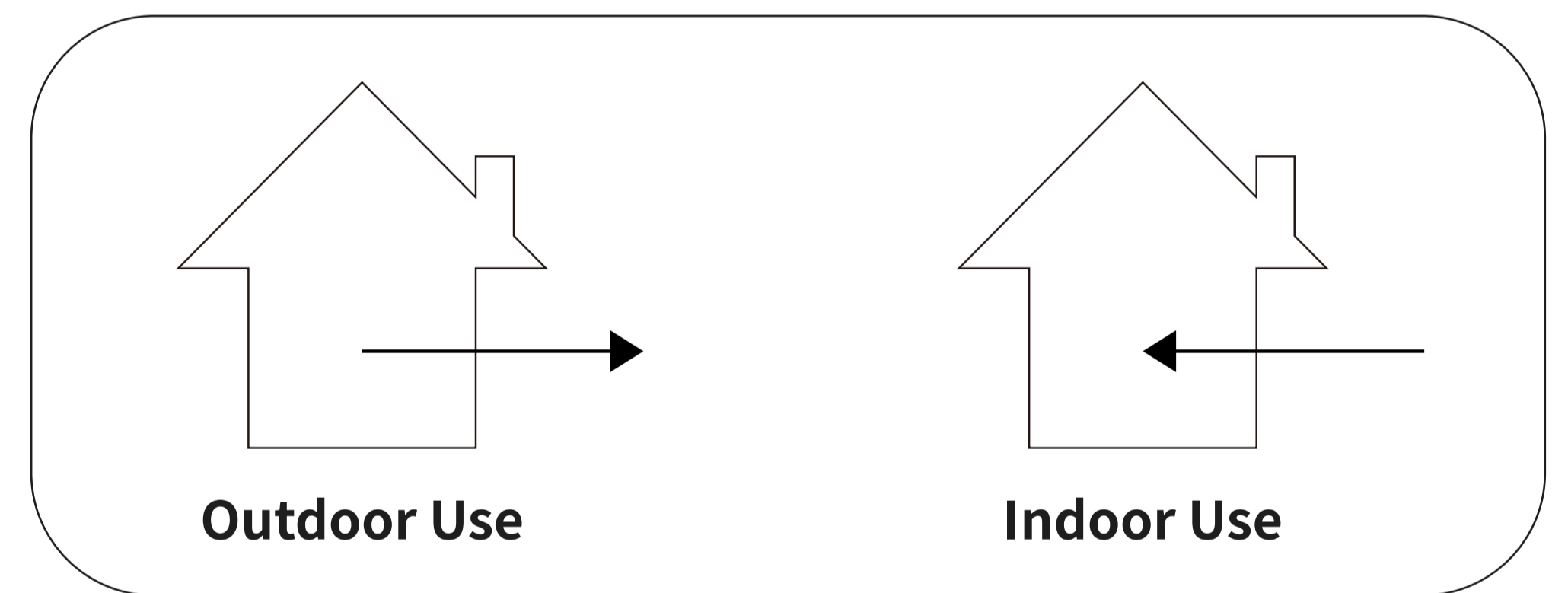
**Wide Color Options**



Dynamic Pixel RGB

**Recommended Usage Scenarios :**

1. Indoor and outdoor architectural lighting decoration
2. Landscape lighting
3. Advertising signage lighting
4. Stage and theater lighting
5. Car and motorcycle lighting
6. Holiday and event lighting decoration
7. Cove lighting
8. Edge-lit lighting
9. Retail and display lighting
10. Restaurant and bar lighting



Please note that these are only recommended usage scenarios and it is important to consult the product specifications and guidelines before using flexible LED neon light strips in any application.



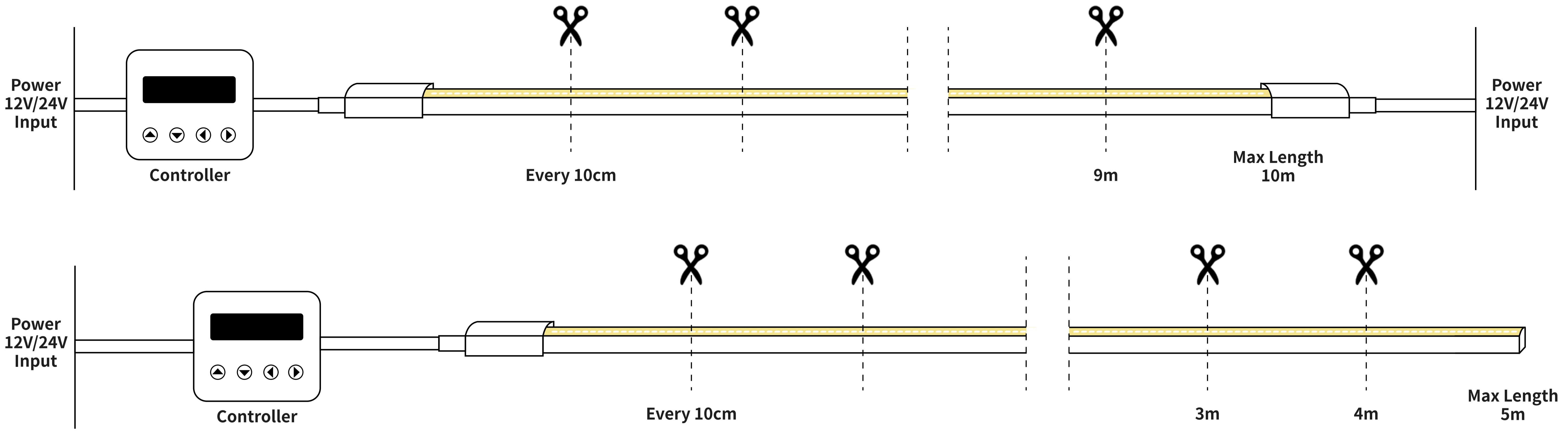
**Package**



Packing Method : Reel + Boardcards  
 Quantity / Box : 5 meters / reel  
 Gross Weight : 0.62 Kg ( 1.37LB)

**Mini Cutting Length & Connection Length**

**• Voltage (12V/24V)**



**Controller Selection**



**HC100**  
Updated version SPI magic color controller



**LT-200**  
LED Digital Controller



**SP108E LED WIFI Controller**

**IP65 (DIY Connector)**

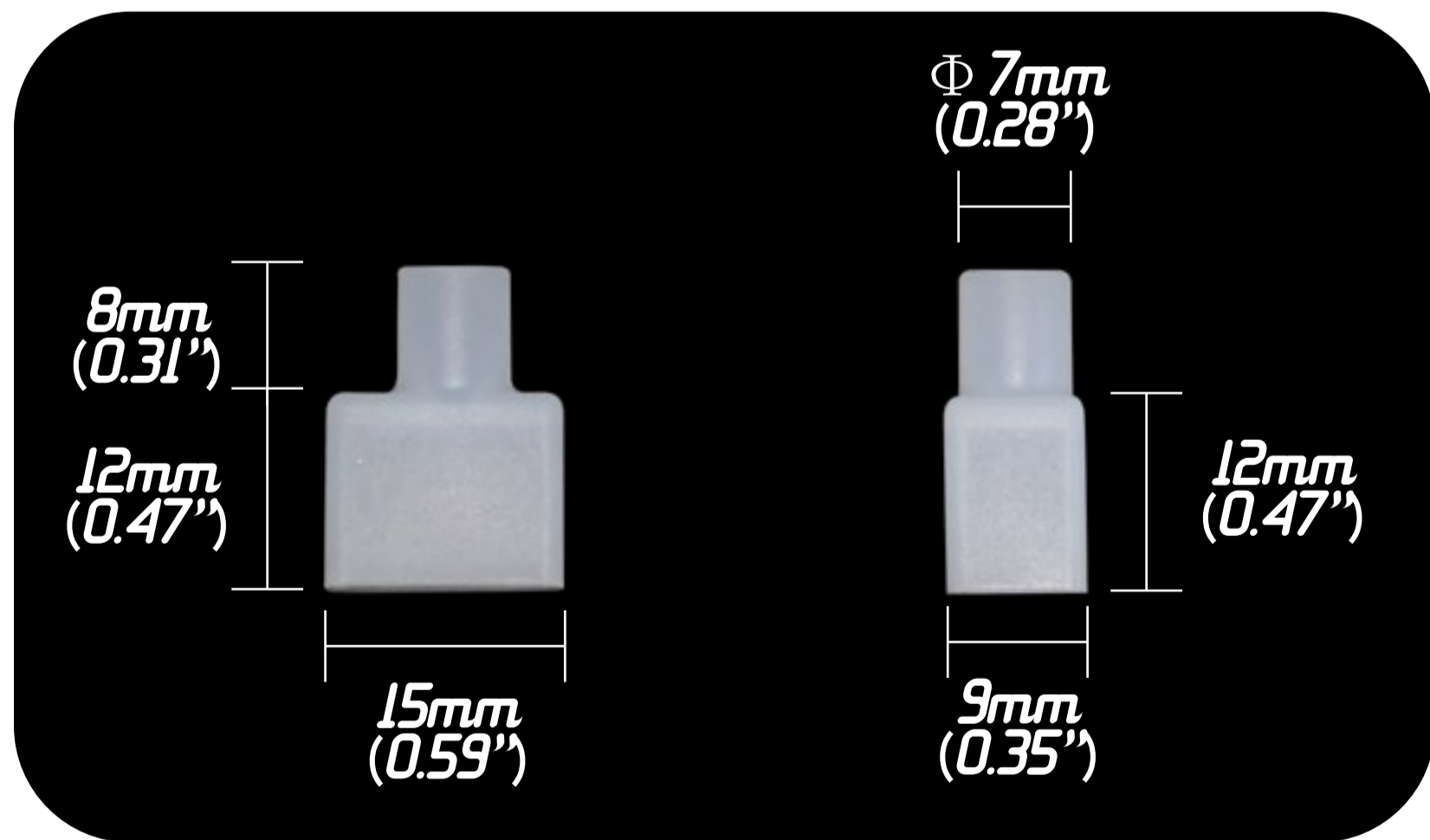
**• Voltage (12V / 24V)**



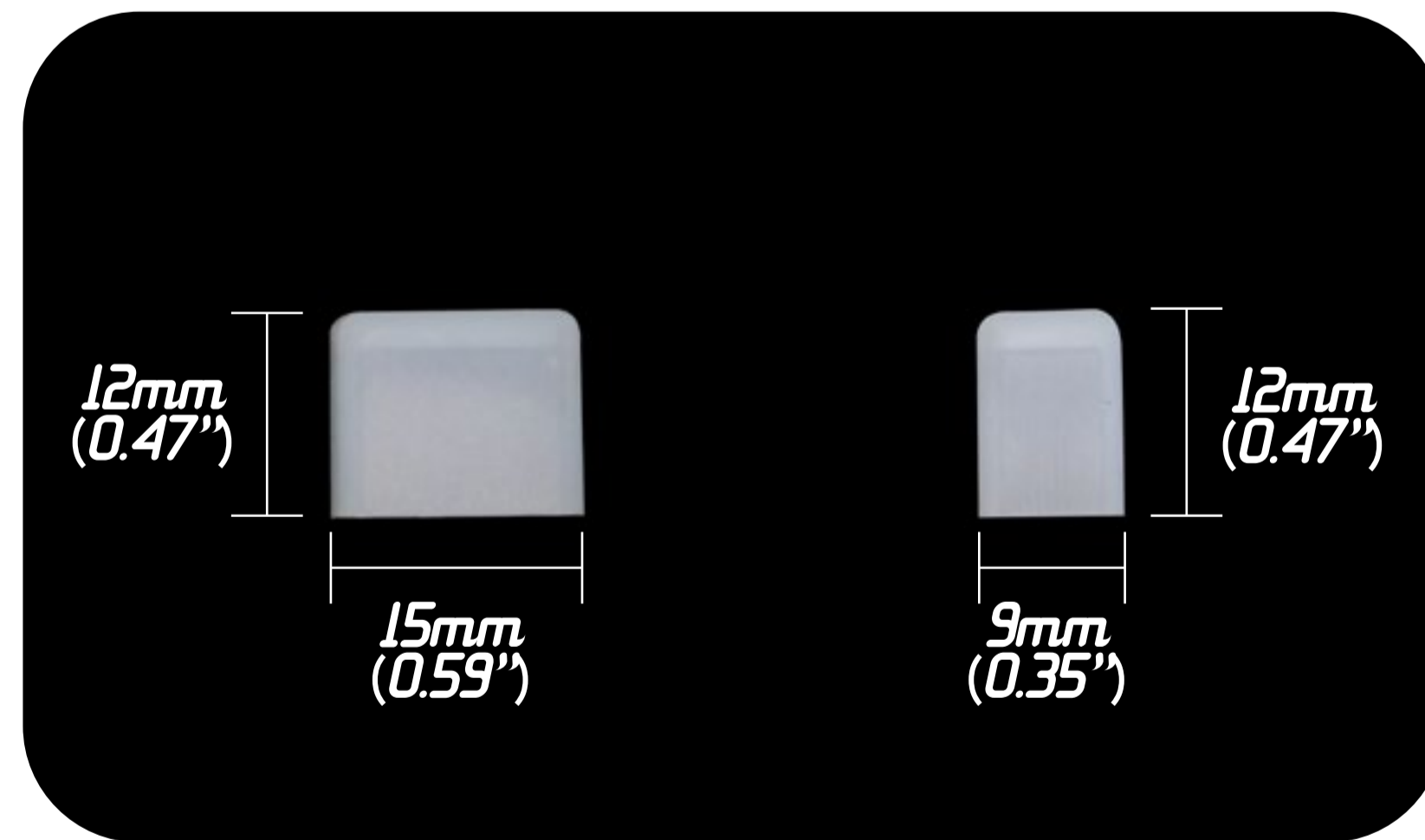
**FRONT CONNECTION**

**END CONNECTION**

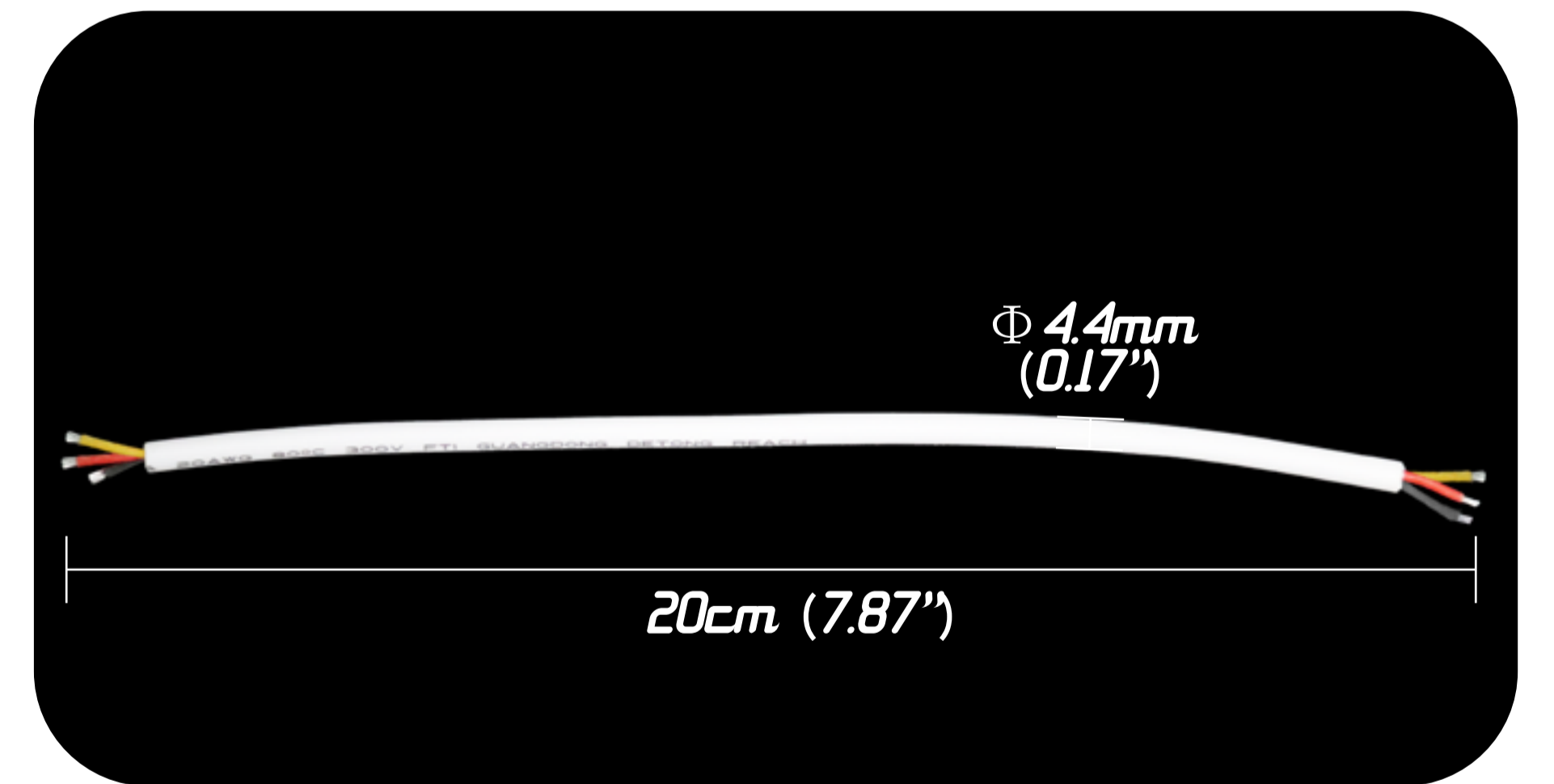
**• Part Details**



**FRONT CONNECTION FITTING**

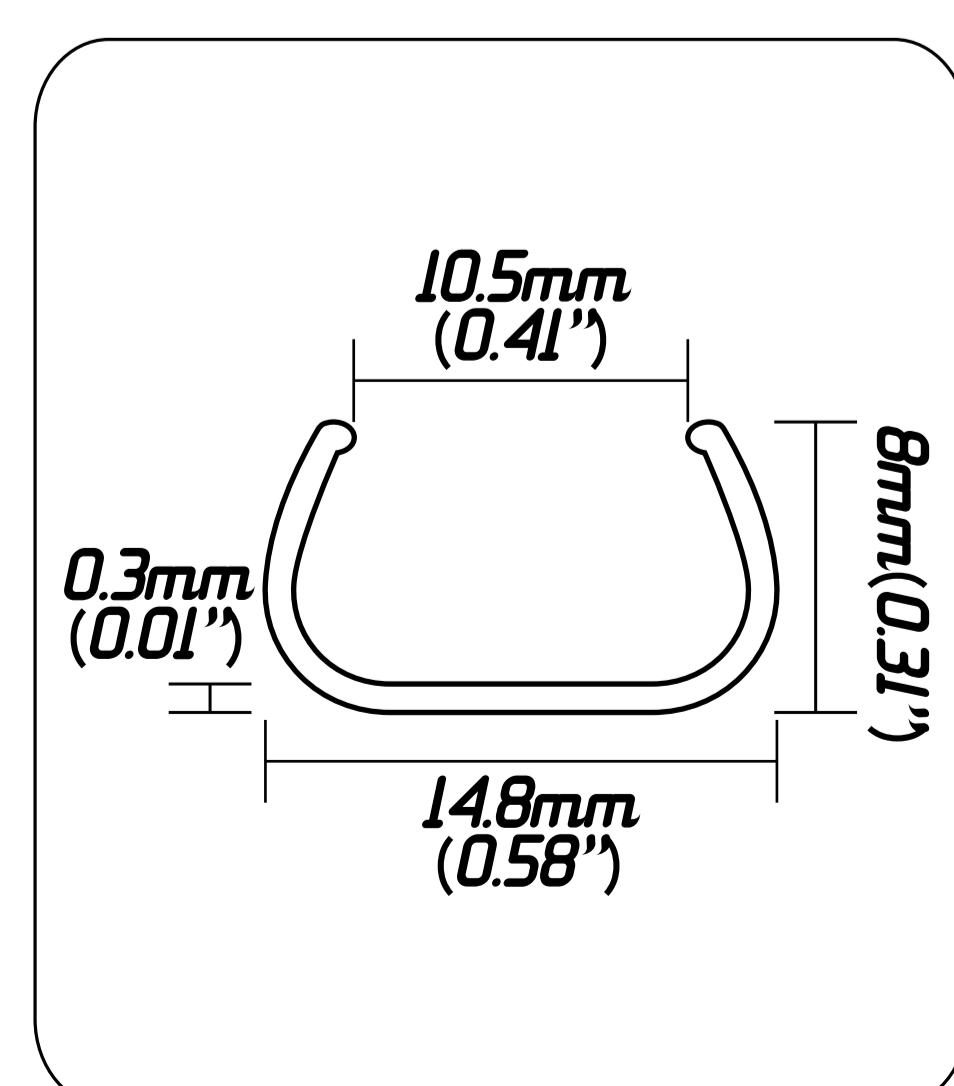


**TAIL FITTING**



**SILICONE POWER WIRE ( 3 CORDS)**

**Mounting Aluminum Channel**



**ALUMINUM CHANNEL (1M)**

**3M Double-sided Adhesive For Sticking**



**3M Double-sided Adhesive**