

# Wilgex®

Professional LED Light Manufacturer  
Since 2008

[www.wilgex-led.com](http://www.wilgex-led.com)

(86) 769-28820681

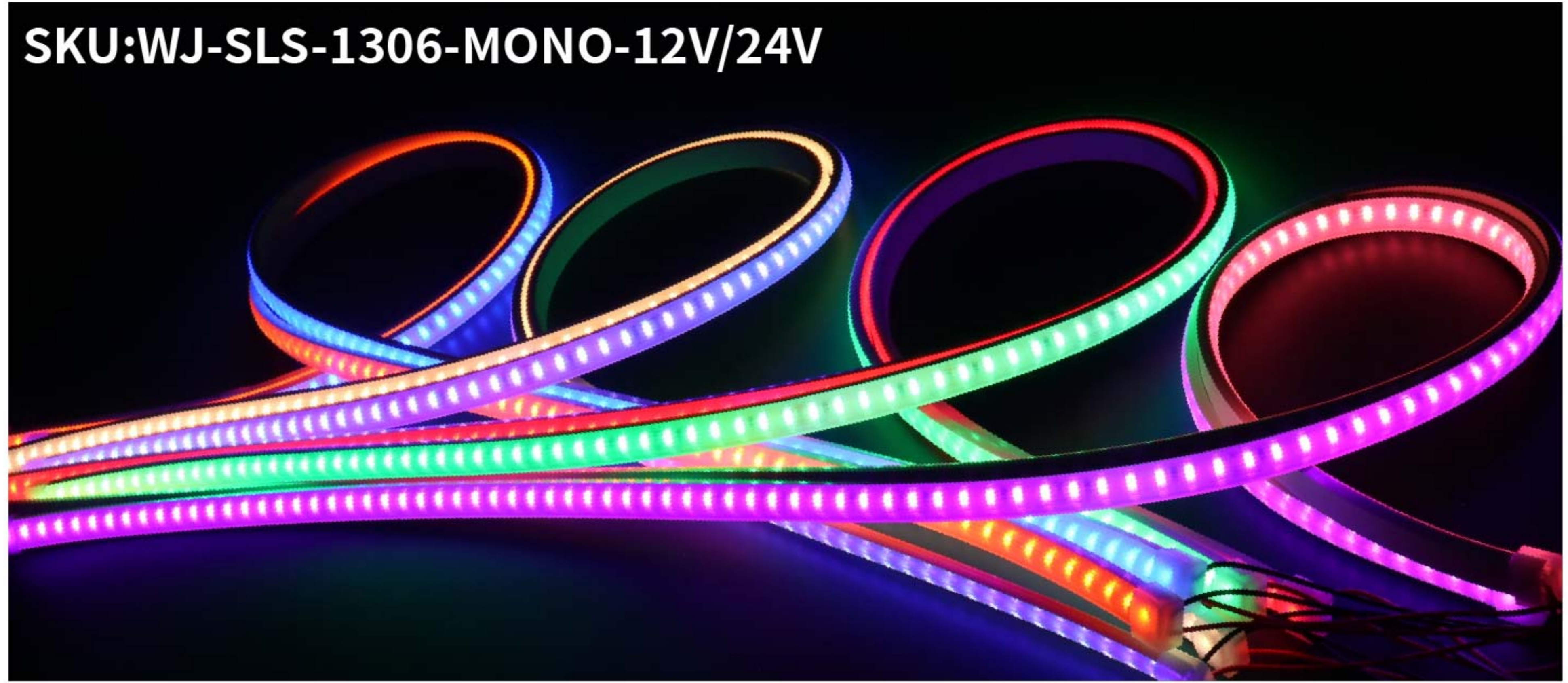
[info@wilgex-led.com](mailto:info@wilgex-led.com)

**LIGHT LED STRIP**

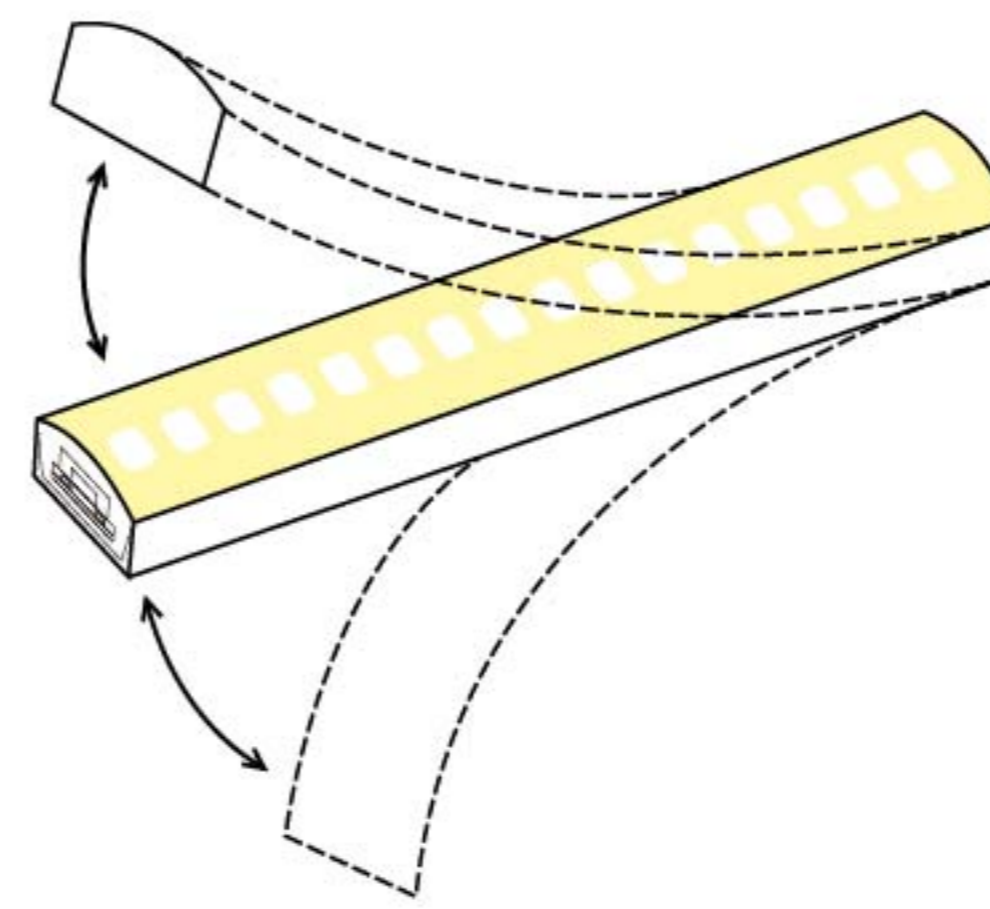
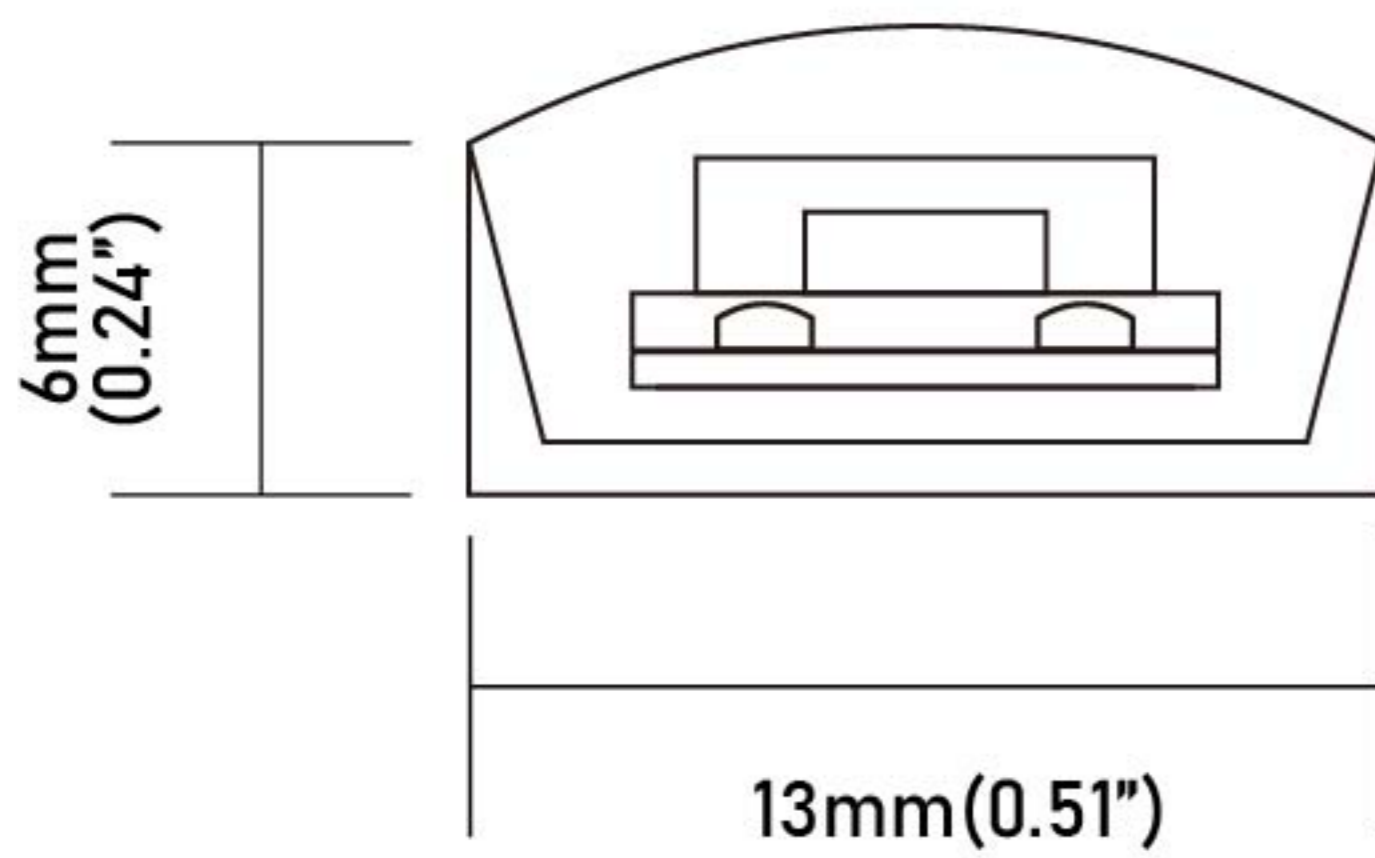
## 13x6mm SILICONE

## MONO COLOR 12V/24V

SKU:WJ-SLS-1306-MONO-12V/24V



### Structural Drawing & Bending Direction



Bending Direction: vertical

### Certifications



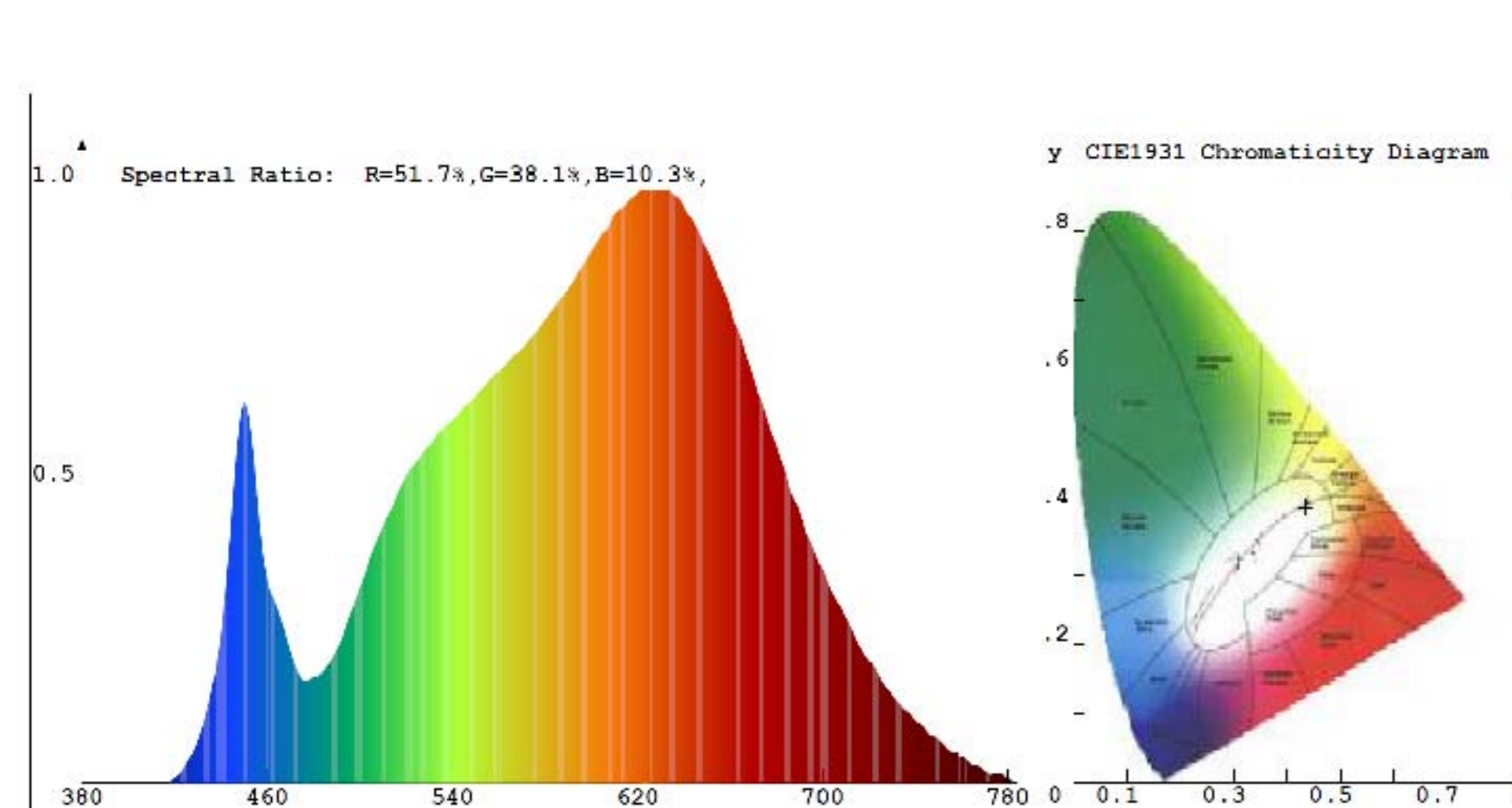
### Technical Data

Color temperature : 2200K ● ● ● ● 10000K

MAX LOADING(12V/24V): 5m

COLOR	CCT/WAVE	LED QUANTITY	UNIT CUT (12V)	UNIT CUT (24V)	WATTS/M (24V FLAT)	LUMEN/M (24V FLAT)
Warm White	2988K/584.5nm	120 LEDs/m	2.5 cm	5cm	8.41 W	754.90 lm
Cool White	12710K/472.2nm	120 LEDs/m	2.5 cm	5cm	8.37 W	702.16 lm
Red	1007K/622.9nm	120 LEDs/m	2.5 cm	5cm	7.81 W	306.71 lm
Green	8011K/525.7nm	120 LEDs/m	2.5 cm	5cm	8.52 W	775.38 lm
Blue	464.5nm	120 LEDs/m	2.5 cm	5cm	8.74 W	108.42 lm
Yellow	1941K/588.1nm	120 LEDs/m	2.5 cm	5cm	8.38 W	863.89 lm
Orange	1100K/604.5nm	120 LEDs/m	2.5 cm	5cm	8.39 W	524.09 lm
Light Pink	1571K/684.0nm	120 LEDs/m	2.5 cm	5cm	8.40 W	676.86 lm
Pink (Violet)	568nm	120 LEDs/m	2.5 cm	5cm	8.04 W	203.24 lm
Purple	453.4nm	120 LEDs/m	2.5 cm	5cm	8.18 W	134.26 lm

### Optical Parameter Chart for Integrating Sphere Testing

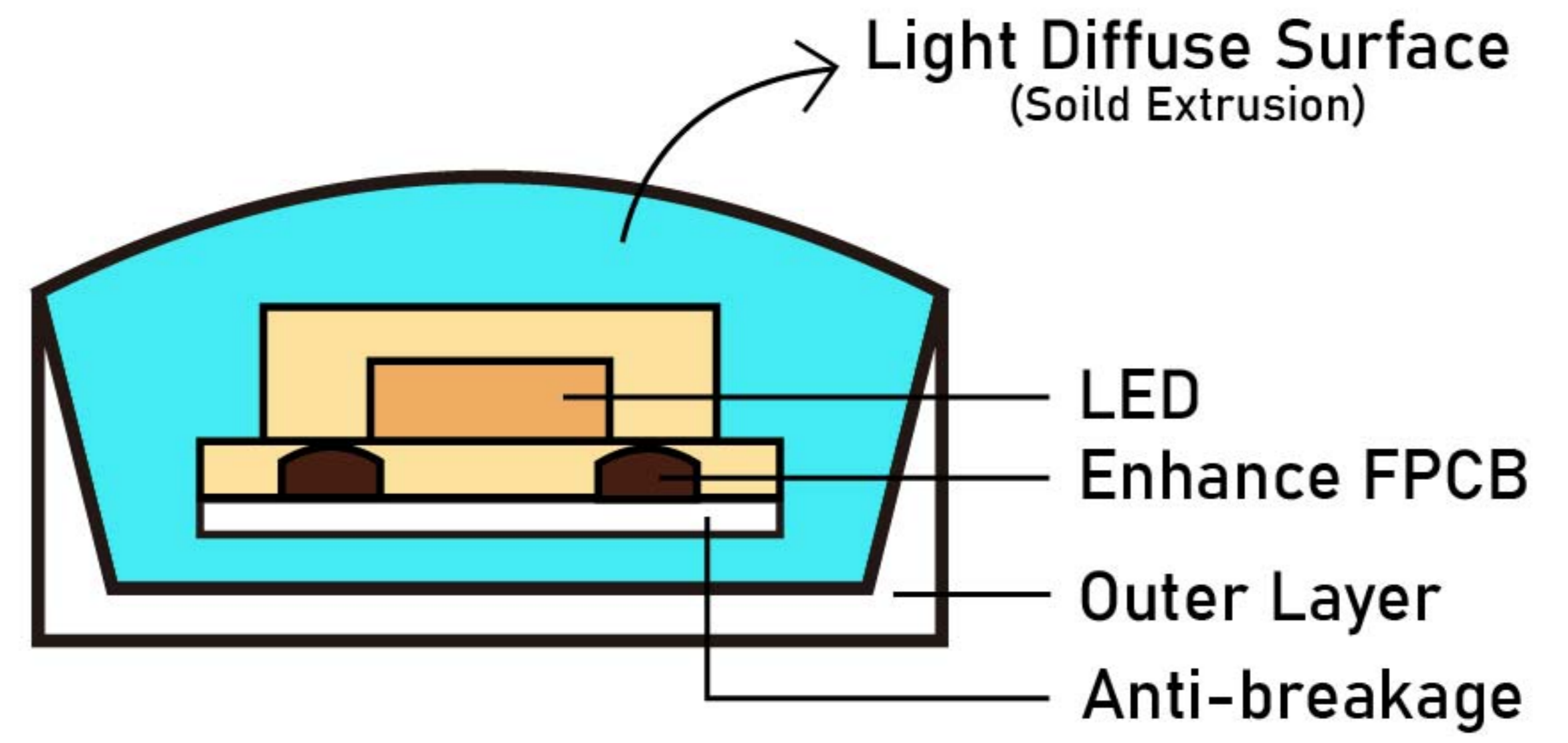


### Reliability test

TEST CATEGORY	TEST ITEMS	STANDARD/VALUE
Optical Test	Spectrum Analysis	IES LM 79(CCT, lumen, CRI, SDCM, XY, wavelength)
	Photometric Distribution	IES LM 79(lumen intensity distribution & Lux diagram)
	Lumen Maintenance & Lifetime	IES LM84 & IES TM 28
Temperature Test	Nomal Temperature Test -25°C	UL 1598 & UL2388 & IEC60598-1 & IEC60598-2-21
	Abnormal Operation Test -70°C	UL 1598 & UL2388 & IEC60598-1 & IEC60598-2-21
Physics Test	Bending Test	Manufacturer-defined, 1000 cycles
	Swing Test	UL2388, >750 cycles
	Tensile Test	Manufacturer-defined, >the weight of light in max. running length by double ends feed
	Twist Test	Manufacturer-defined, 200 cycles
	IK08	IEC62262
Weathering Test	Ball Impact	UL 1598 & UL2388 & IEC60598-1 & IEC60598-2-21
	Swimming Pool Water Immersion Test	GB9667, PH6.8-7.6, free chlorine 0.3-0.6mg/L
	Sea Water Immersion Test	IEC 60598-1, Salinity 4%
	Salt Spray Test	IEC68-2-11
Environment Test	Outdoor Exposure	Manufacturer-defined
	Flame Resistant Test	UL94
	UV Exposure Test	ASTMG154, UVA@340nm
	IPX5 IPX6 IPX7 IPX8	IEC60529
	Temperature Shock Test	Manufacturer-defined, -40°C-60°C(typical temperature range)
	Constant Temperature Test	Manufacturer-defined, 70°C(typical temperature range)

Wilgex specializes in engineering LED flexible neon lights and offers both standard and customized services. If you have specific requirements, please contact our sales department.

**Four-star quality assurance**



**Unique Design**



★ Enhance thickness FPC design principle



★ LED anti-death design



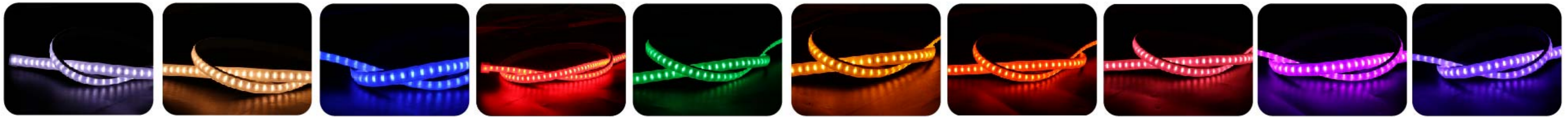
★ Add a break protection layer



★ Solid extrusion design for exterior



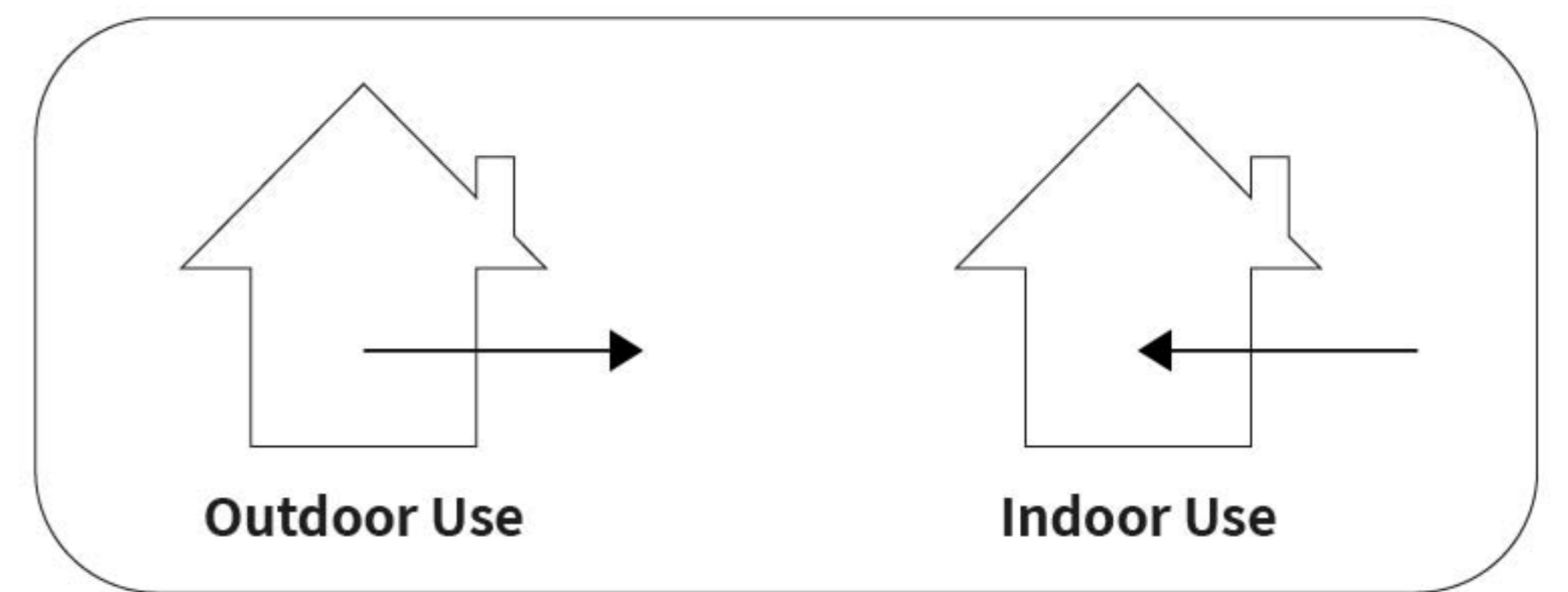
**Wide Color Options**



Cool White    Warm White    Blue    Red    Green    Yellow    Orange    Light Pink    Pink (Violet)    Purple

**Recommended Usage Scenarios :**

1. Indoor and outdoor architectural lighting decoration
2. Landscape lighting
3. Advertising signage lighting
4. Stage and theater lighting
5. Car and motorcycle lighting
6. Holiday and event lighting decoration
7. Cove lighting
8. Edge-lit lighting
9. Retail and display lighting
10. Restaurant and bar lighting



Please note that these are only recommended usage scenarios and it is important to consult the product specifications and guidelines before using light led strips in any application.



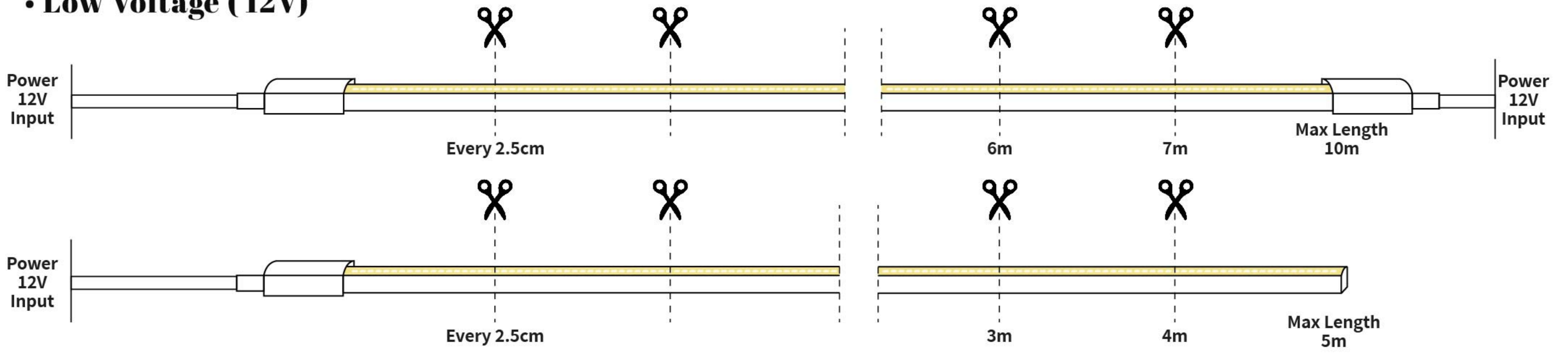
**Package**



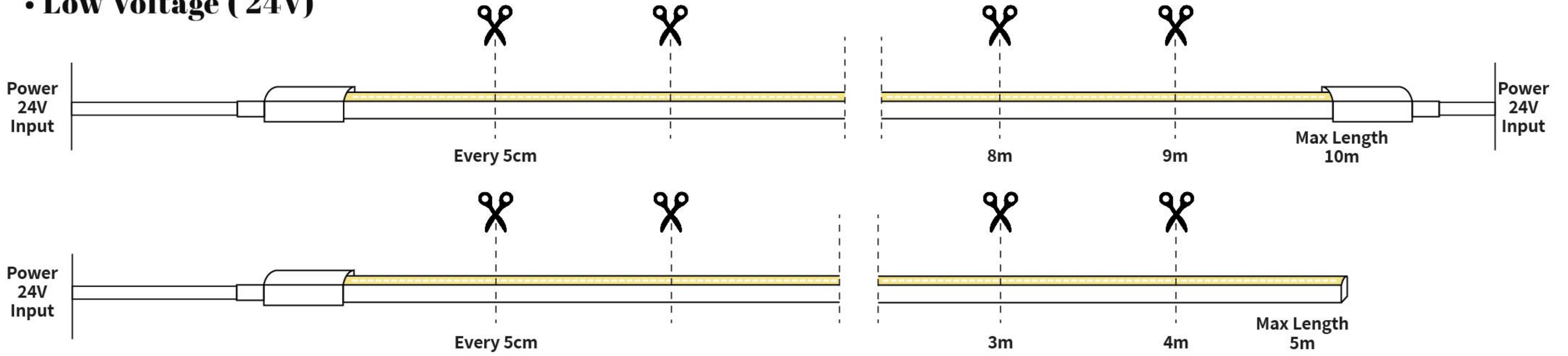
Packing Method : Reel + Boardcards  
 Quantity / Box : 5 meters / reel  
 Gross Weight : 0.55 Kg ( 1.21LB)

**Mini Cutting Length & Connection Length**

**• Low Voltage (12V)**

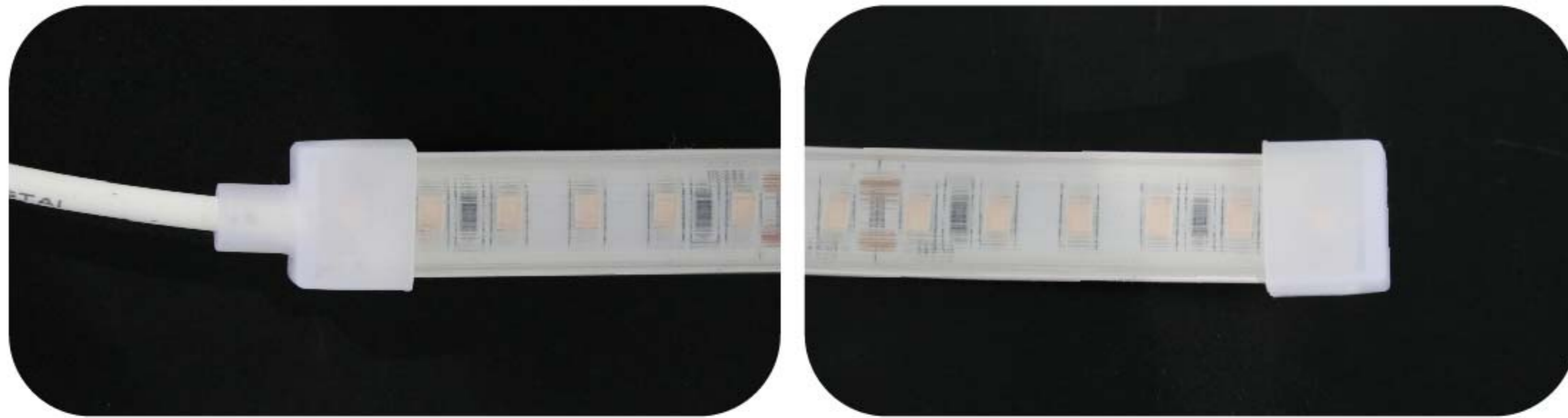


**• Low Voltage (24V)**



**IP65 (DIY Connector)**

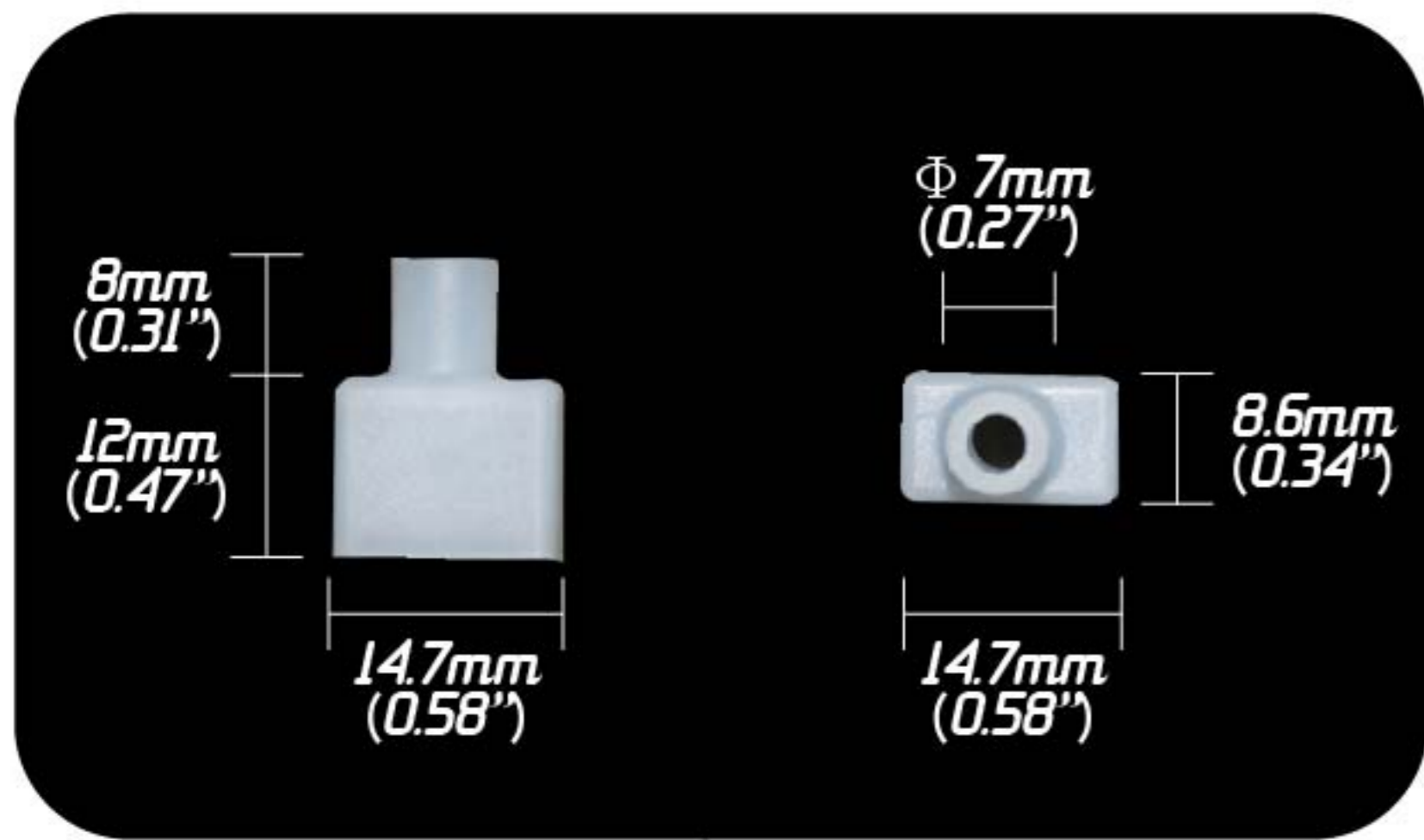
**• Voltage (12V / 24V)**



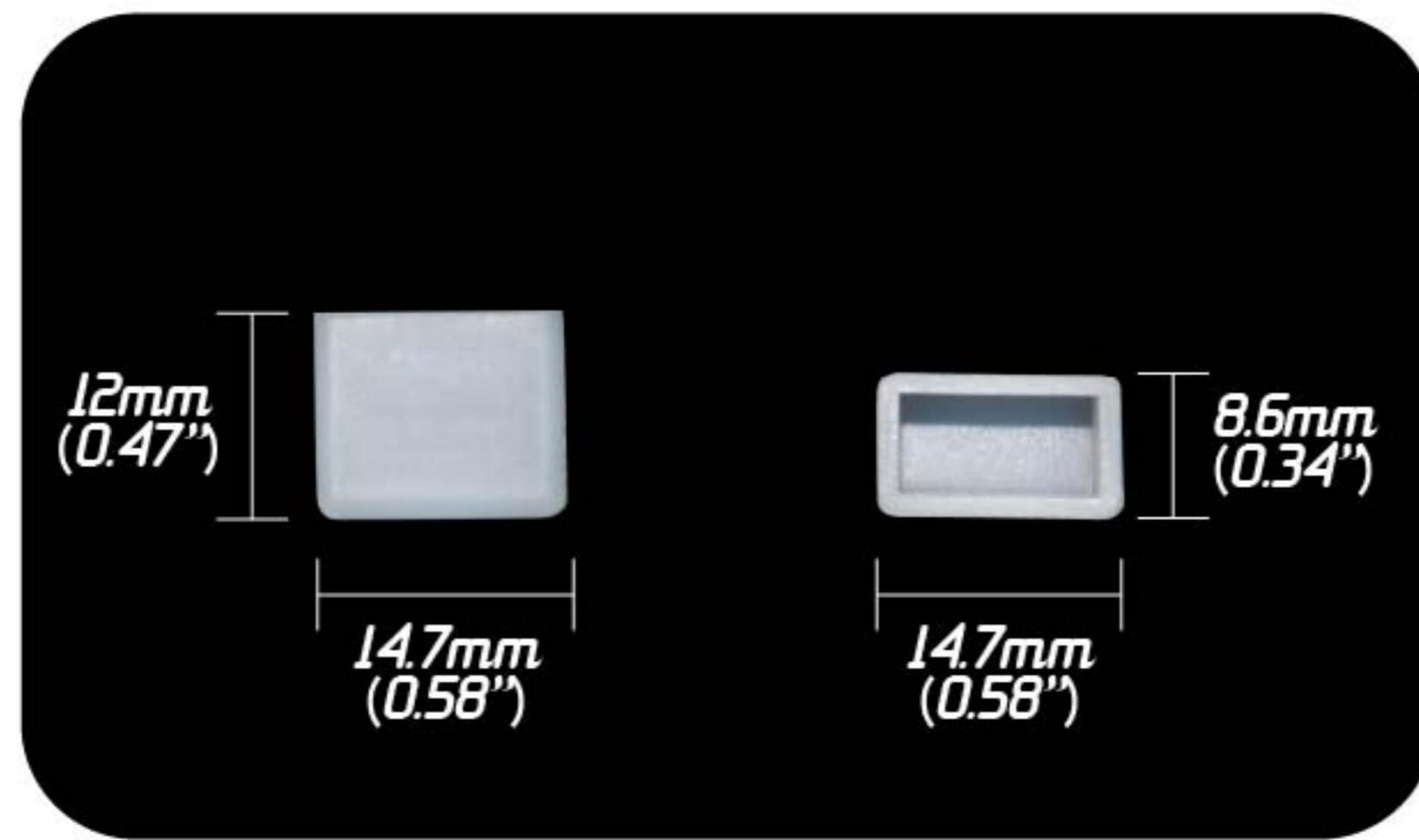
FRONT CONNECTION

END CONNECTION

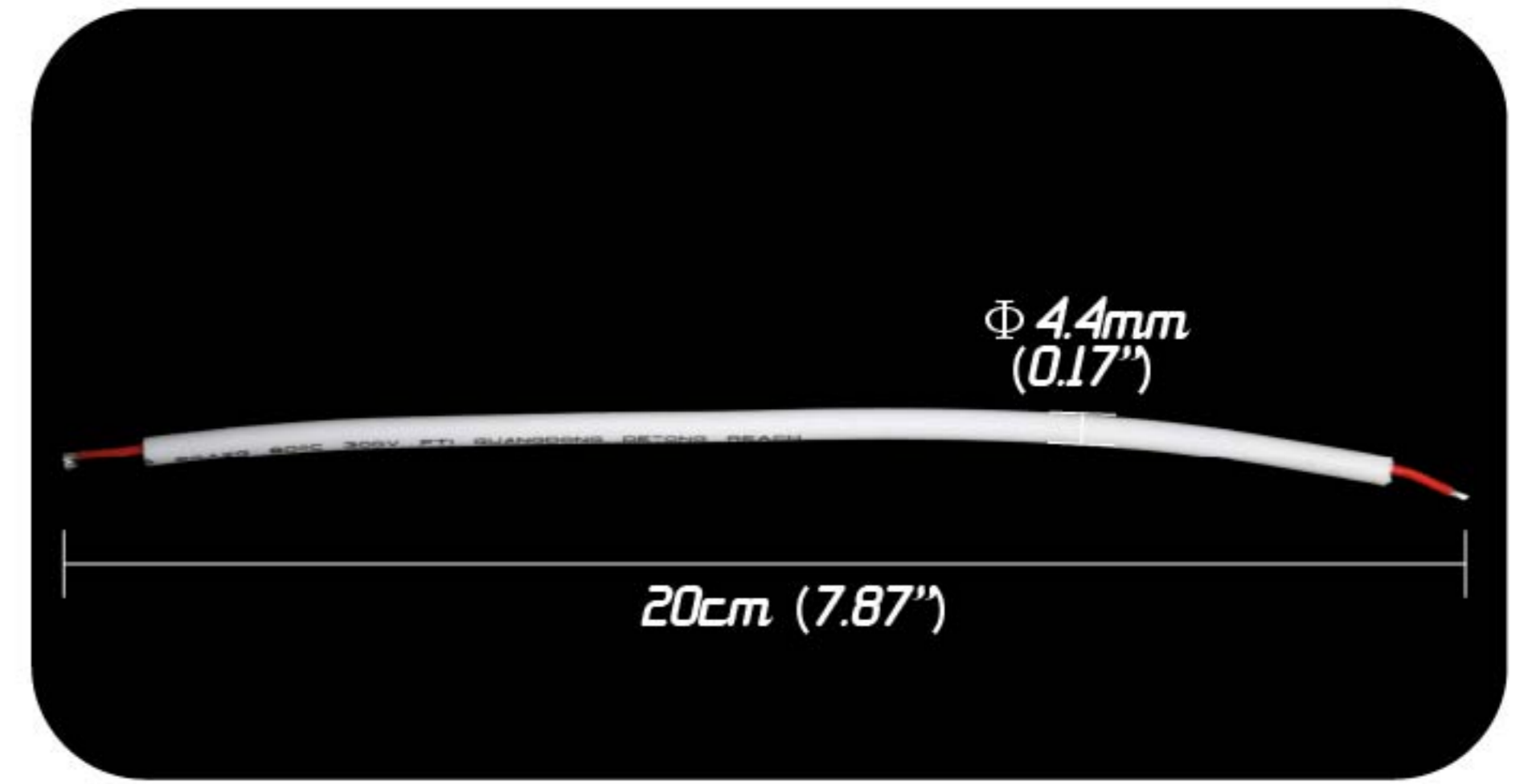
**• Part Details**



FRONT CONNECTION FITTING

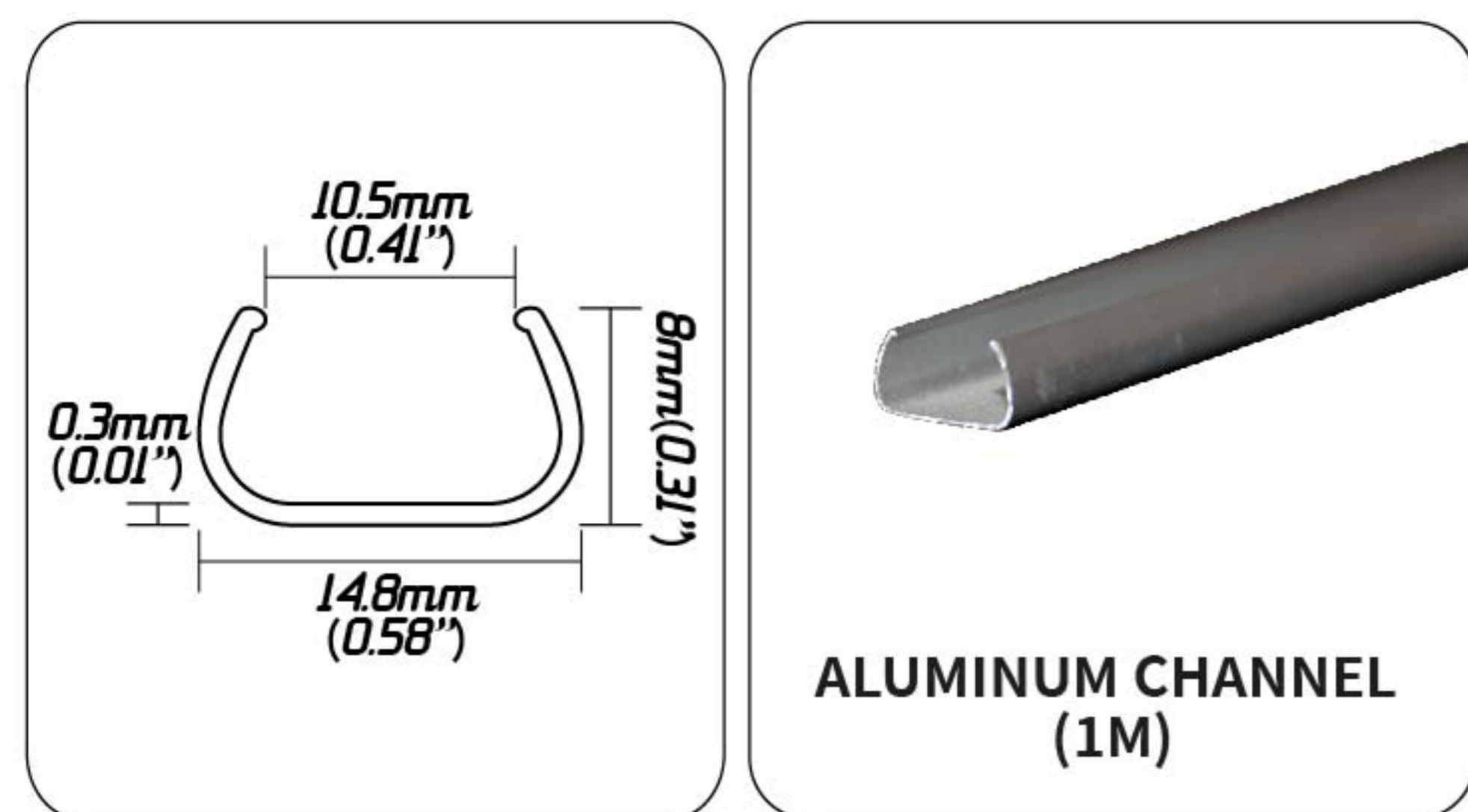


TAIL FITTING



SILICONE POWER WIRE ( 2 CORDS)

**Mounting Aluminum Channel**



ALUMINUM CHANNEL (1M)



**3M Double-sided Adhesive For Sticking**



3M Double-sided Adhesive