


# Wilgex®

Professional LED Light Manufacturer  
Since 2008

 [www.wilgex-led.com](http://www.wilgex-led.com)

 (86) 769-28820681

 [info@wilgex-led.com](mailto:info@wilgex-led.com)

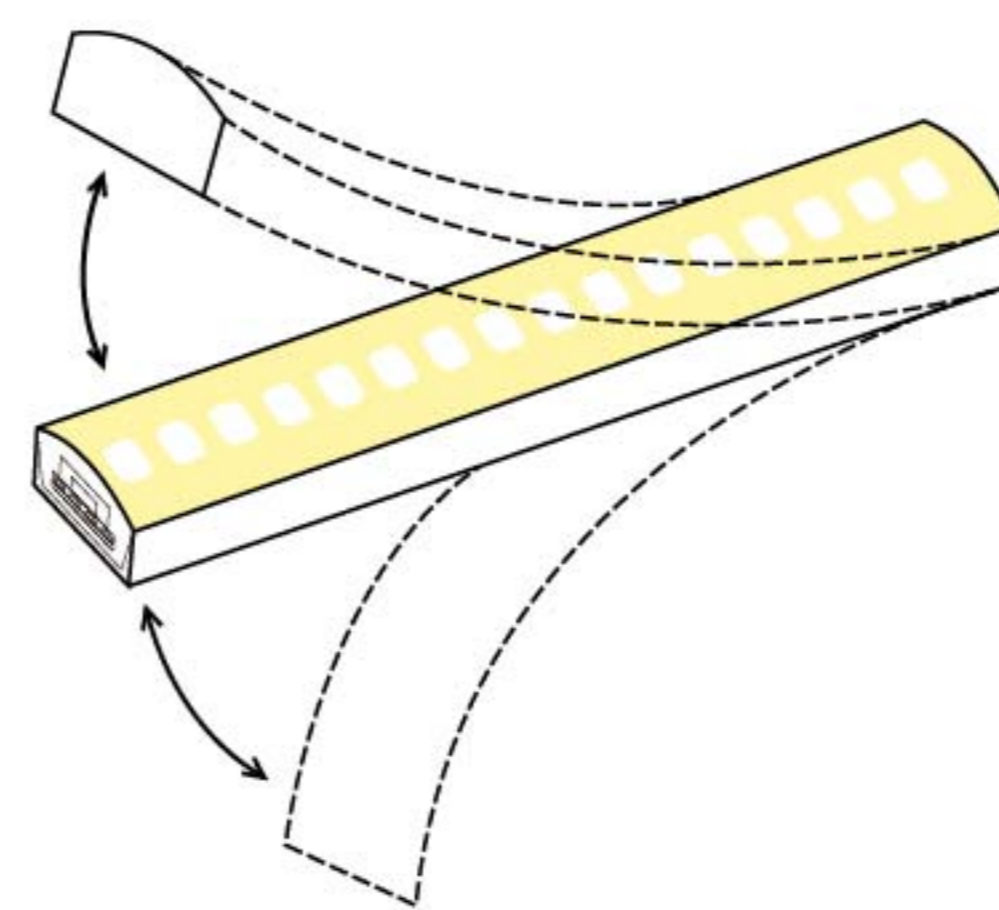
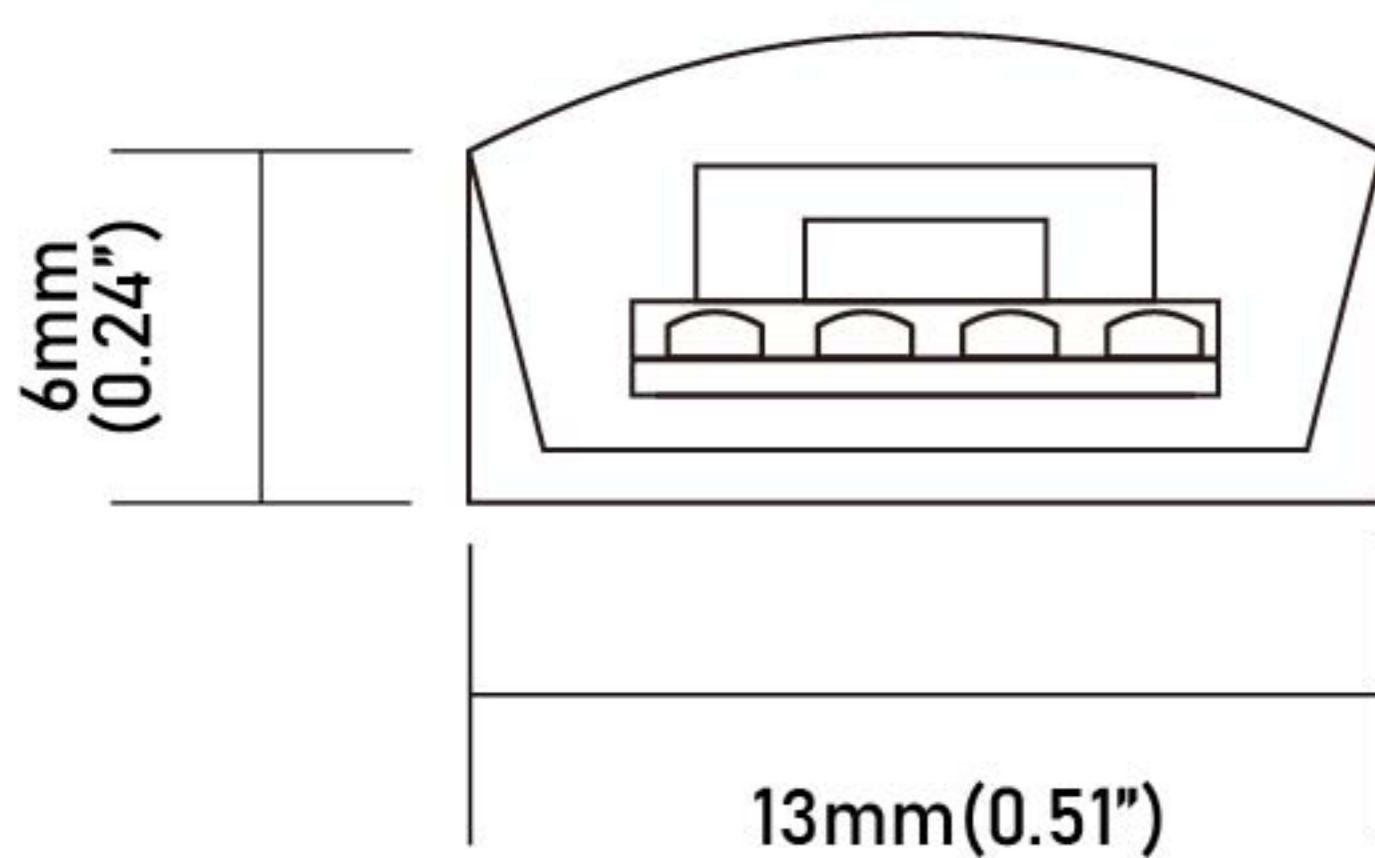
## 13x6mm SILICONE

## RGB COLOR 12V/24V

SKU:WJ-SLS-1306-RGB -12V/24V



### Structural Drawing & Bending Direction



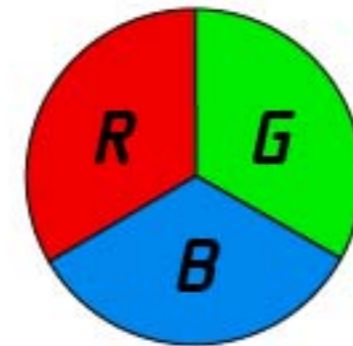
Bending Direction: vertical

### Certifications



### Technical Data

PWM-RGB



<b>Color Temp</b>	Red: 623.7nm Green: 524.1nm Blue: 469.0nm White: 6500K (Color mixing)	<b>Watts/m (24V Flat)</b>	Red: 3.54 W Green: 4.36 W Blue: 4.33 W White: 12.12 W (Color mixing)
<b>Lumen/m (24V Flat)</b>	Red: 111.10 lm Green: 245.99 lm Blue: 45.01 lm White: 383.13 lm (Color mixing)	<b>Unit Cut (24V)</b>	8.83cm
<b>LED Quantity(m)</b>	72 LEDs	<b>Max Loading (24V)</b>	5m

### Optical Parameter Chart for Integrating Sphere Testing

Chroma Parameters  
Chro.Coord.: x=0.2419 y=0.2480 u=0.1762 v=0.2709 duv=0.0055  
OCT: Tc=42770K Dominant Wave.: 479.2nm Purity: 38.9%  
Flux Ratio: R=21.8%, G=66.6%, B=11.6% Peak Wave.: 464.3nm Half Width: 22.6nm

Bending Index: Ra= 39.5  
R1 =25.4 R2 =48.1 R3 =63.3 R4 =46.5 R5 =48.1 R6 =49.0 R7 =49.0  
R8 =-12.7 R9 =-259.4R10=-24.4 R11=41.3 R12=53.4 R13=25.5 R14=75.1  
R15=1.1

Photo Parameters  
Flux: 383.49lm Effi.: 31.6lm/W Radiant: 2006.1mW Iv: 0.0mcd

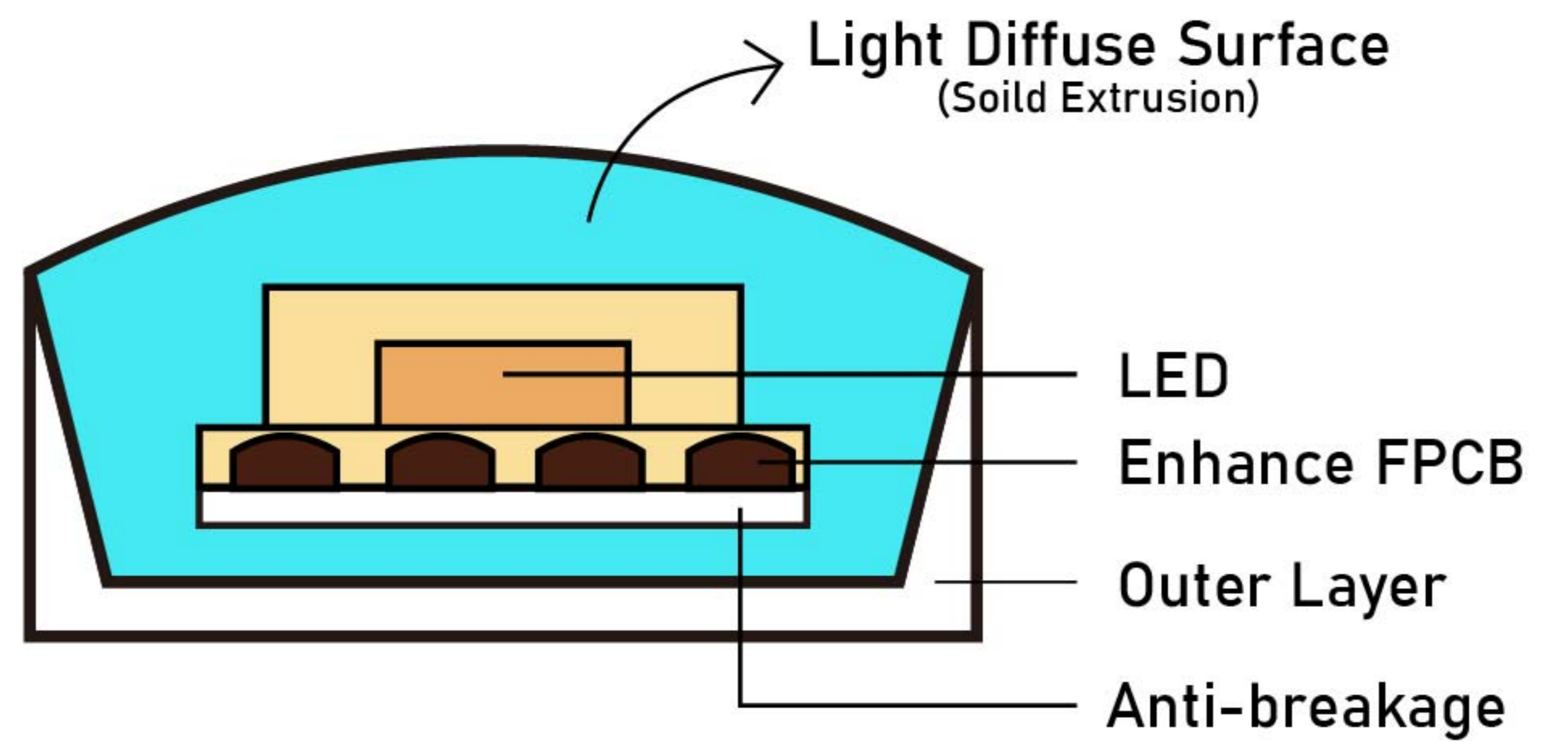
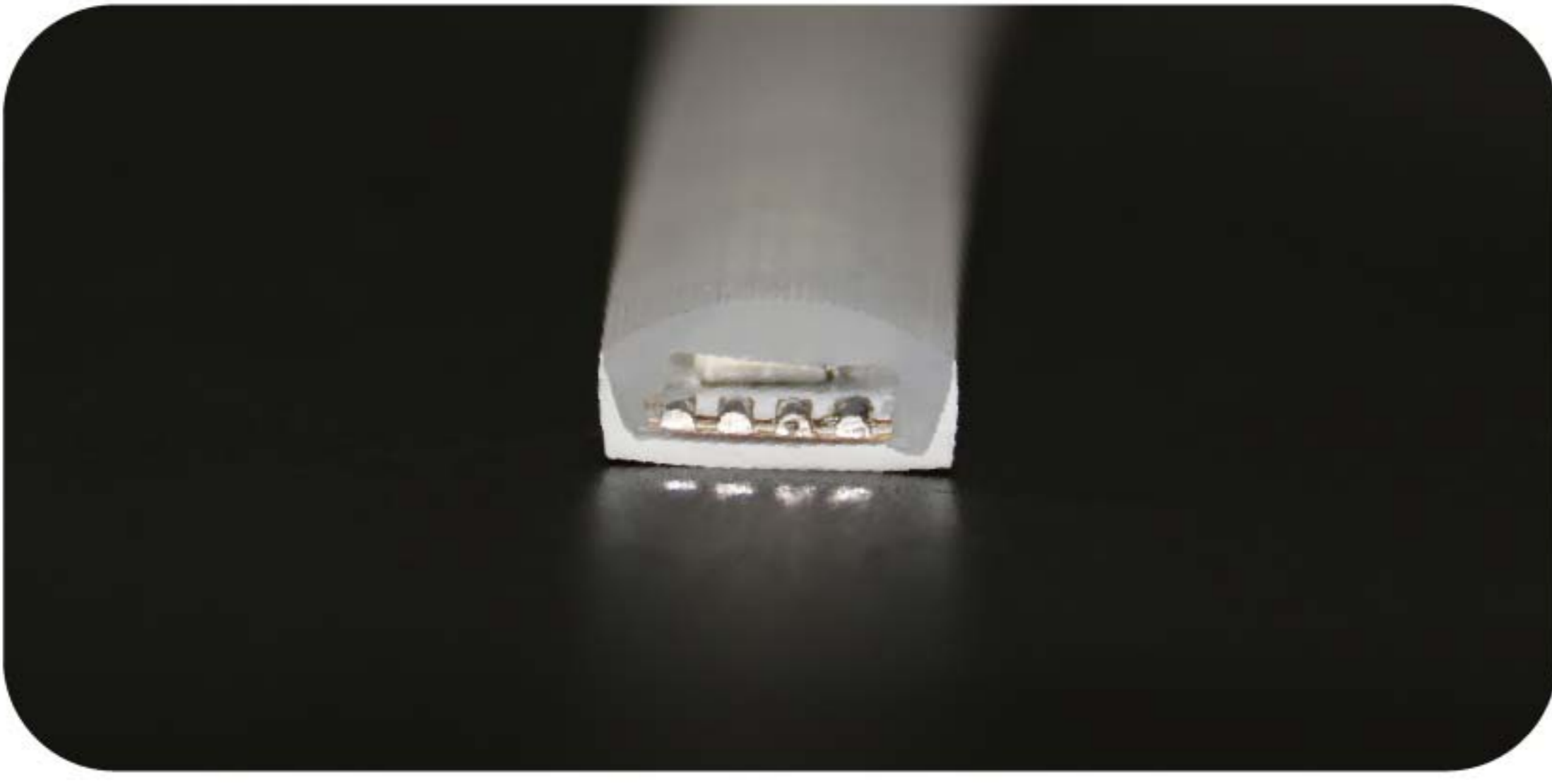
Ele. Parameters  
Voltage: U=24.000V Current: I=0.5050A  
Power: P=12.12W Power Factor: PF=1.000

### Reliability test

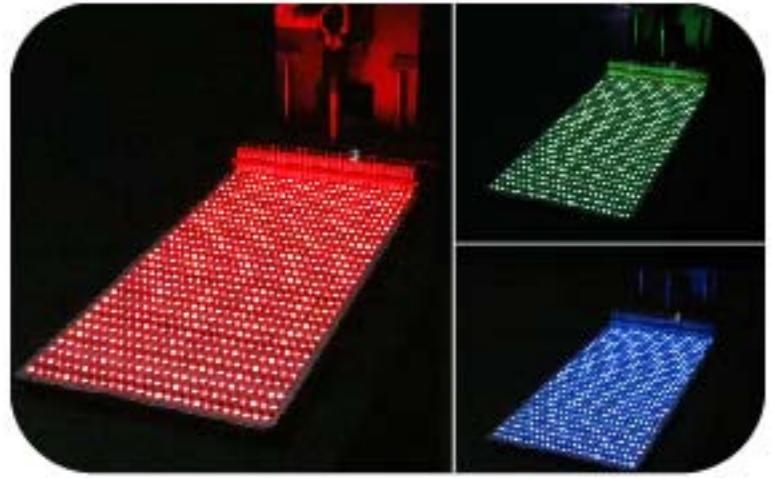
TEST CATEGORY	TEST ITEMS	STANDARD/VALUE
Optical Test	Spectrum Analysis	IES LM 79(CCT, lumen, CRI, SDCM, XY, wavelength)
	Photometric Distribution	IES LM 79(lumen intensity distribution & Lux diagram)
	Lumen Maintenance & Lifetime	IES LM84 & IES TM 28
Temperature Test	Nomal Temperature Test -25°C	UL 1598 & UL2388 & IEC60598-1 & IEC60598-2-21
	Abnormal Operation Test -70°C	UL 1598 & UL2388 & IEC60598-1 & IEC60598-2-21
Physics Test	Bending Test	Manufacturer-defined, 1000 cycles
	Swing Test	UL2388, >750 cycles
	Tensile Test	Manufacturer-defined, >the weight of light in max. running length by double ends feed
	Twist Test	Manufacturer-defined, 200 cycles
Weathering Test	IK08	IEC62262
	Ball Impact	UL 1598 & UL2388 & IEC60598-1 & IEC60598-2-21
	Swimming Pool Water Immersion Test	GB9667, PH6.8-7.6, free chlorine 0.3-0.6mg/L
	Sea Water Immersion Test	IEC 60598-1, Salinity 4%
Environment Test	Salt Spray Test	IEC68-2-11
	Outdoor Exposure	Manufacturer-defined
	Flame Resistant Test	UL94
	UV Exposure Test	ASTMG154, UVA@340nm
Environment Test	IPX5 IPX6 IPX7 IPX8	IEC60529
	Temperature Shock Test	Manufacturer-defined, -40°C-60°C (typical temperature range)
Environment Test	Constant Temperature Test	Manufacturer-defined, 70°C (typical temperature range)

Wilgex specializes in engineering LED flexible neon lights and offers both standard and customized services. If you have specific requirements, please contact our sales department.

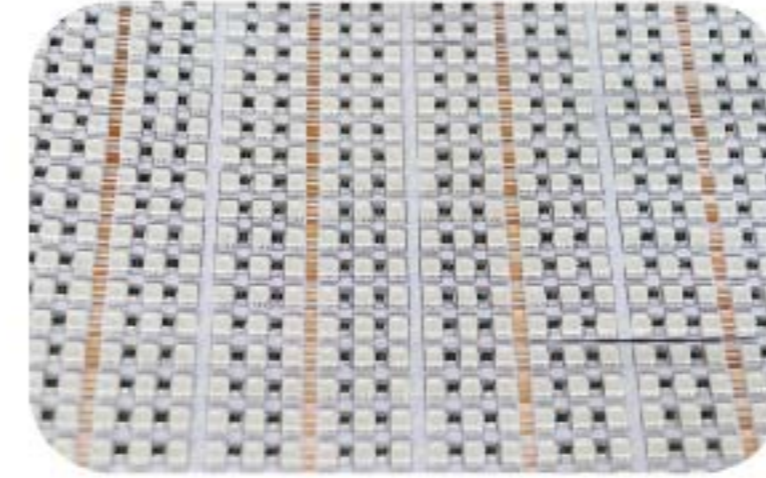
**Four-star quality assurance**



**Unique Design**



★ Enhance thickness FPCB design principle



★ LED anti-death design



★ Add a break protection layer



★ Solid extrusion design for exterior



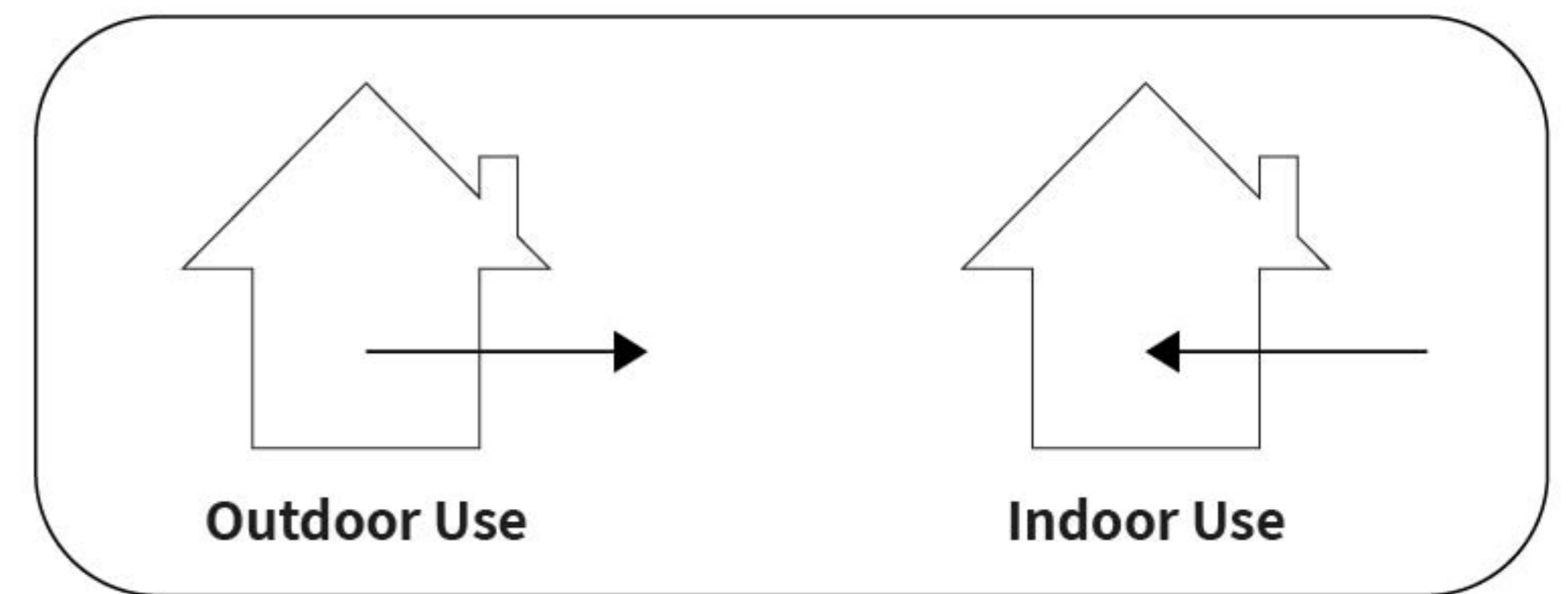
**Wide Color Options**



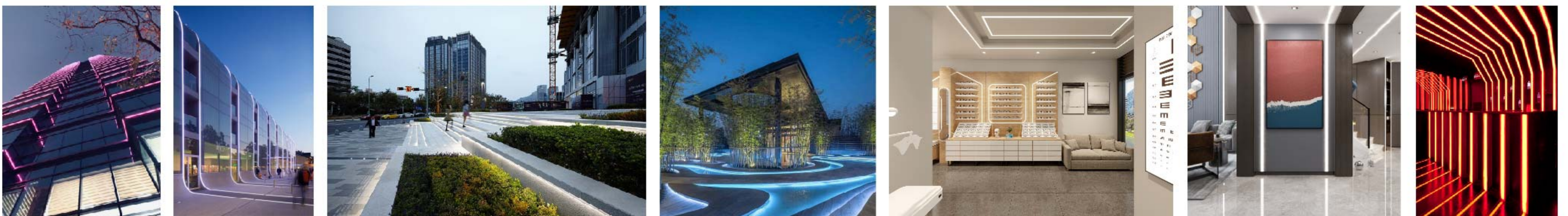
RGB Color Mixing - Color changing, Fading, Chasing effect

**Recommended Usage Scenarios :**

1. Indoor and outdoor architectural lighting decoration
2. Landscape lighting
3. Advertising signage lighting
4. Stage and theater lighting
5. Car and motorcycle lighting
6. Holiday and event lighting decoration
7. Cove lighting
8. Edge-lit lighting
9. Retail and display lighting
10. Restaurant and bar lighting



Please note that these are only recommended usage scenarios and it is important to consult the product specifications and guidelines before using light led strips in any application.



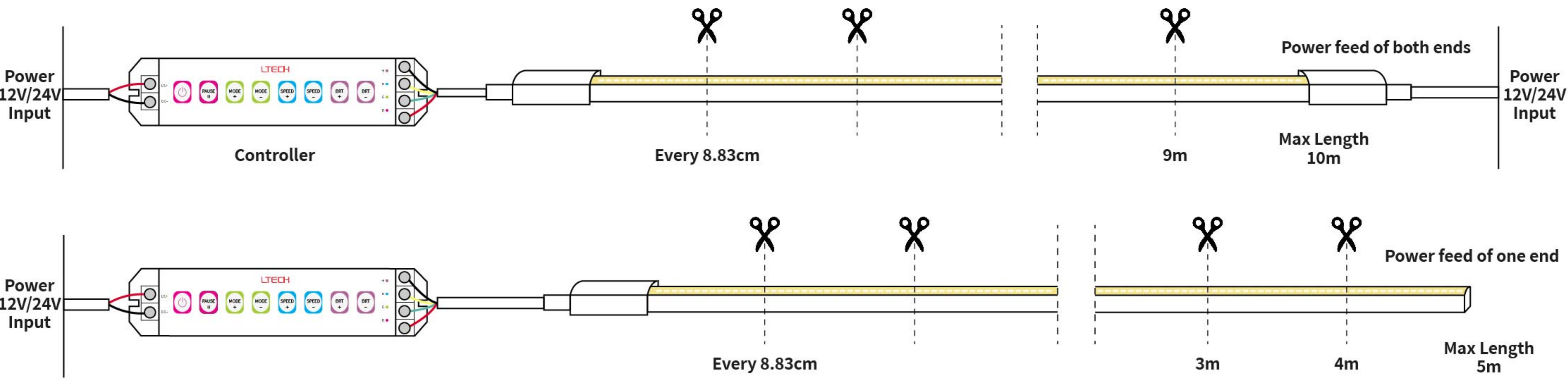
**Package**



Packing Method : Reel + Boardcards  
 Quantity / Box : 5 meters / reel  
 Gross Weight : 0.55 Kg ( 1.21LB)

**Mini Cutting Length & Connection Length**

**• Voltage (12V/24V)**



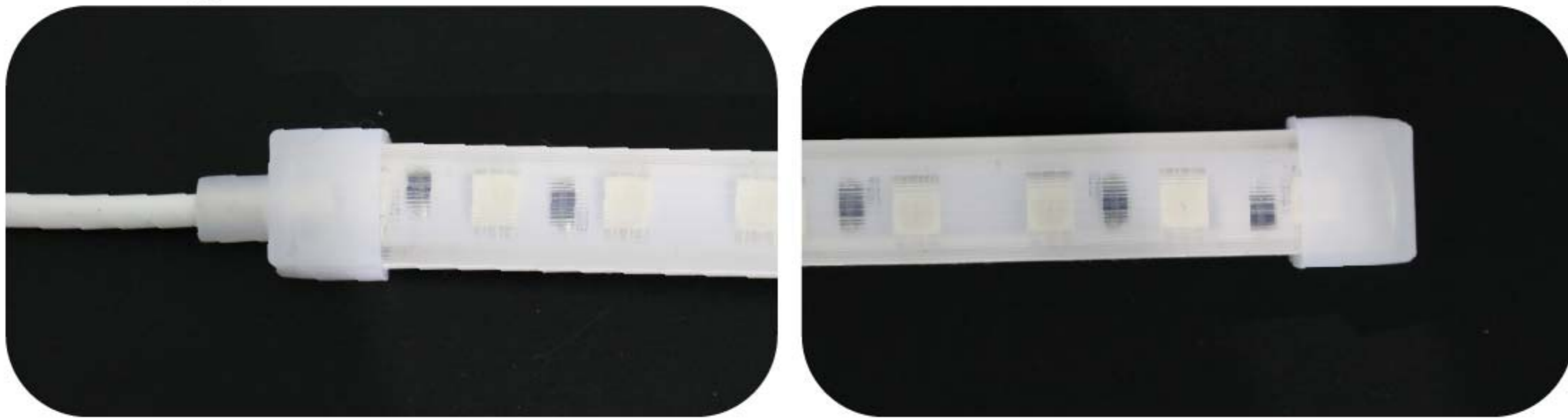
**Controller ( PWM compatible controller - 4 wires: 24V+, Red-, Blue- and Green-)**



LT-3600RF  
LED RGB Controller

**IP65 (DIY Connector)**

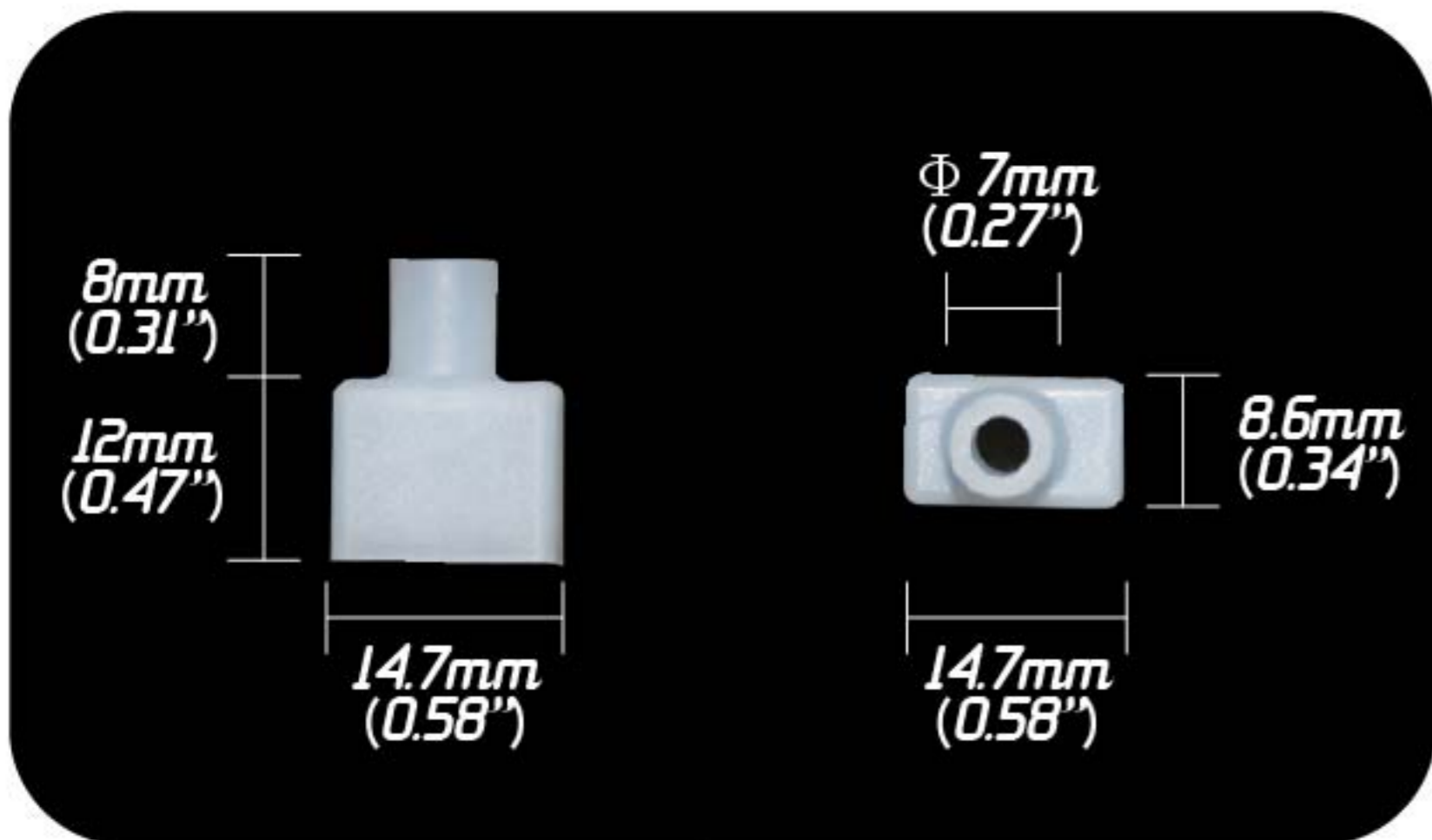
**• Voltage (12V / 24V)**



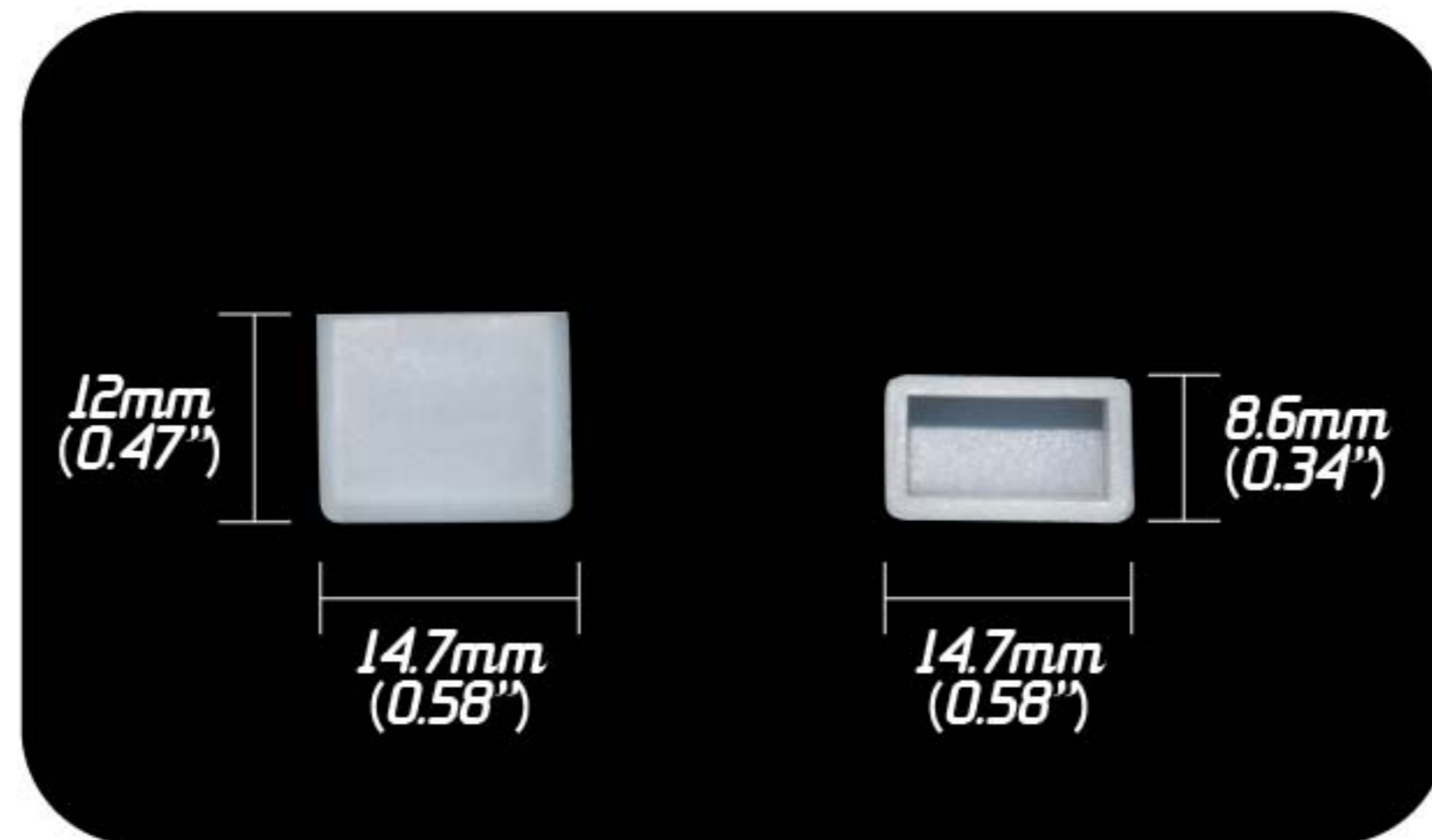
FRONT CONNECTION

END CONNECTION

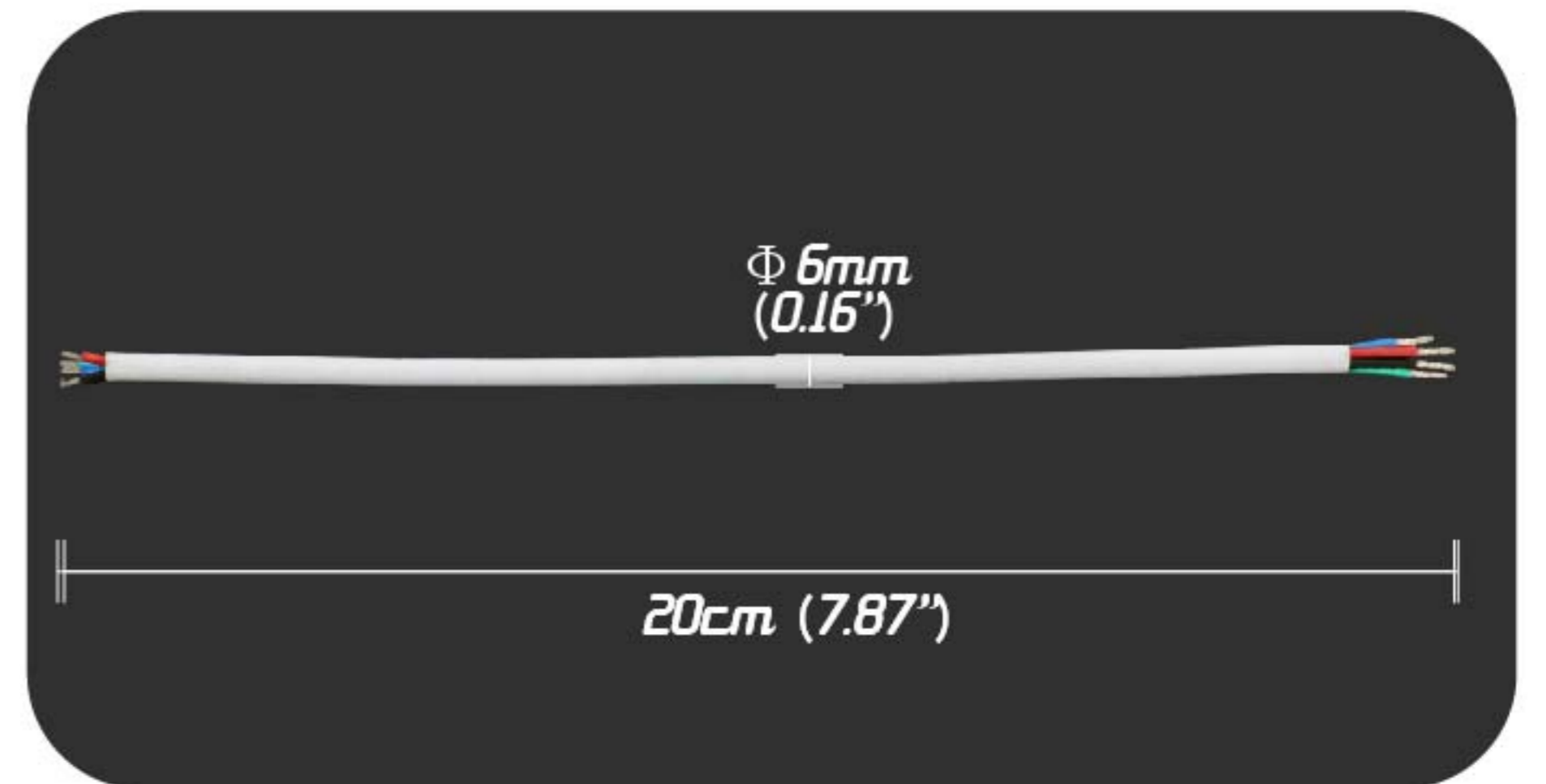
**• Part Details**



FRONT CONNECTION FITTING

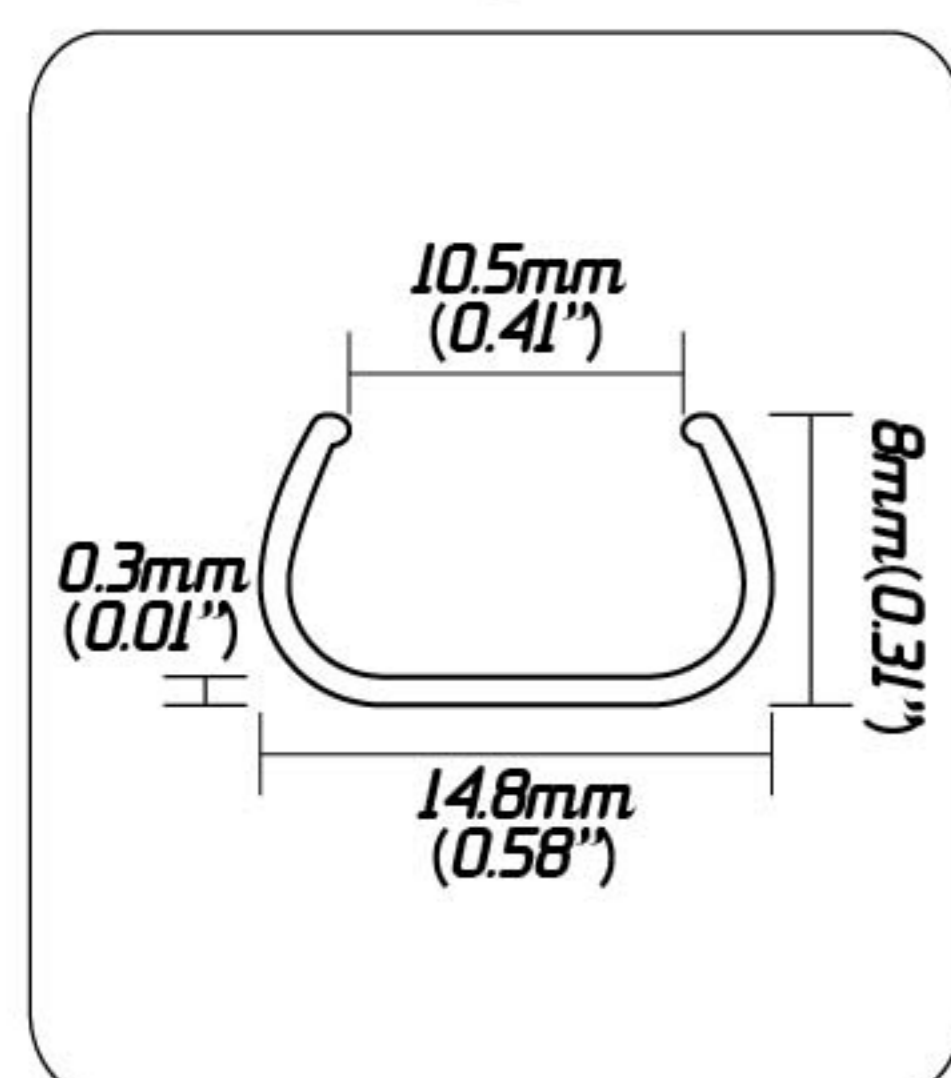


TAIL FITTING



SILICONE POWER WIRE ( 4 CORDS)

**Mounting Aluminum Channel**



**3M Double-sided Adhesive For Sticking**

