



Wilgex[®]

Professional LED Light Manufacturer
Since 2008

 www.wilgex-led.com

 (86) 769-28820681

 info@wilgex-led.com

LED NEON FLEX

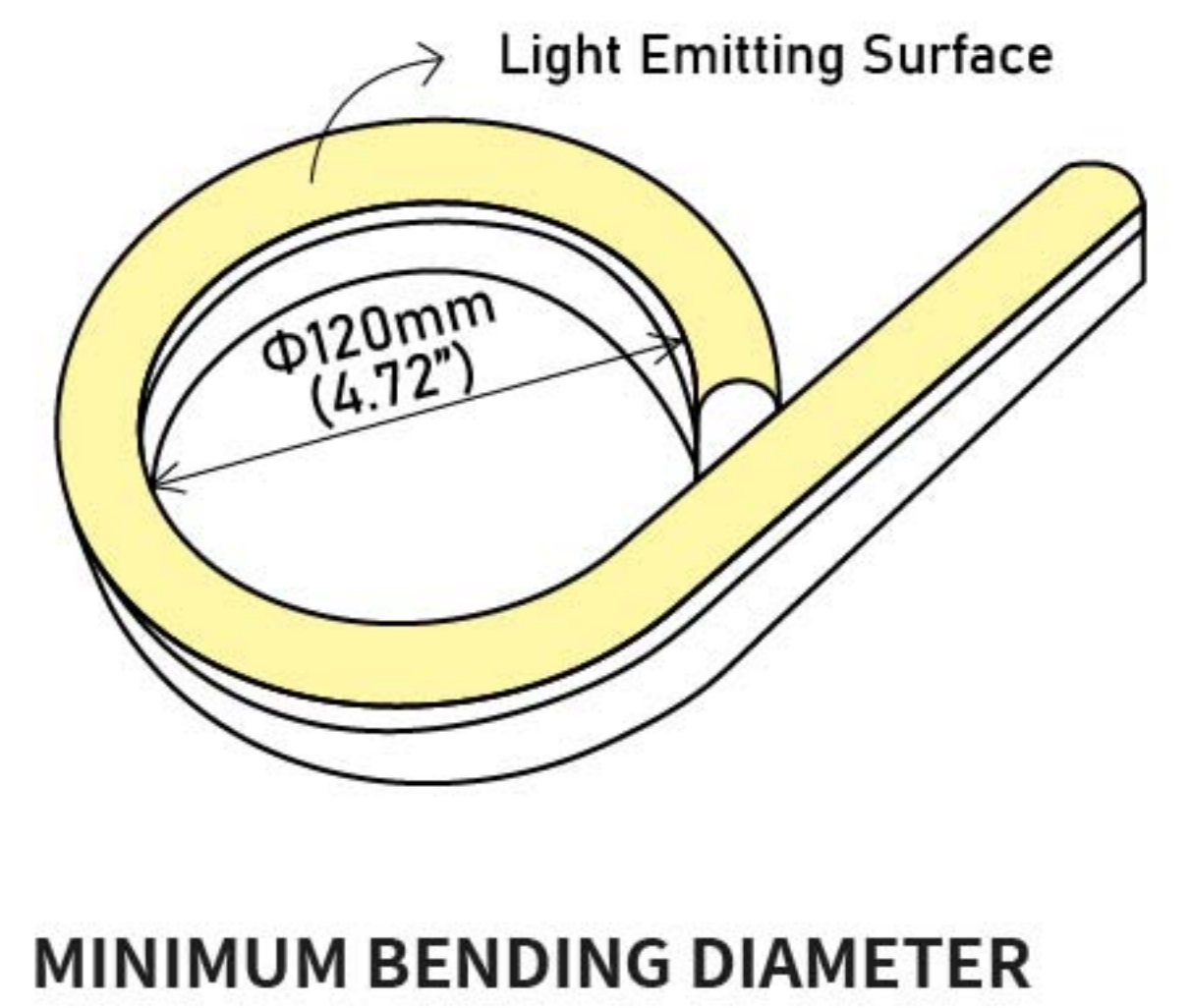
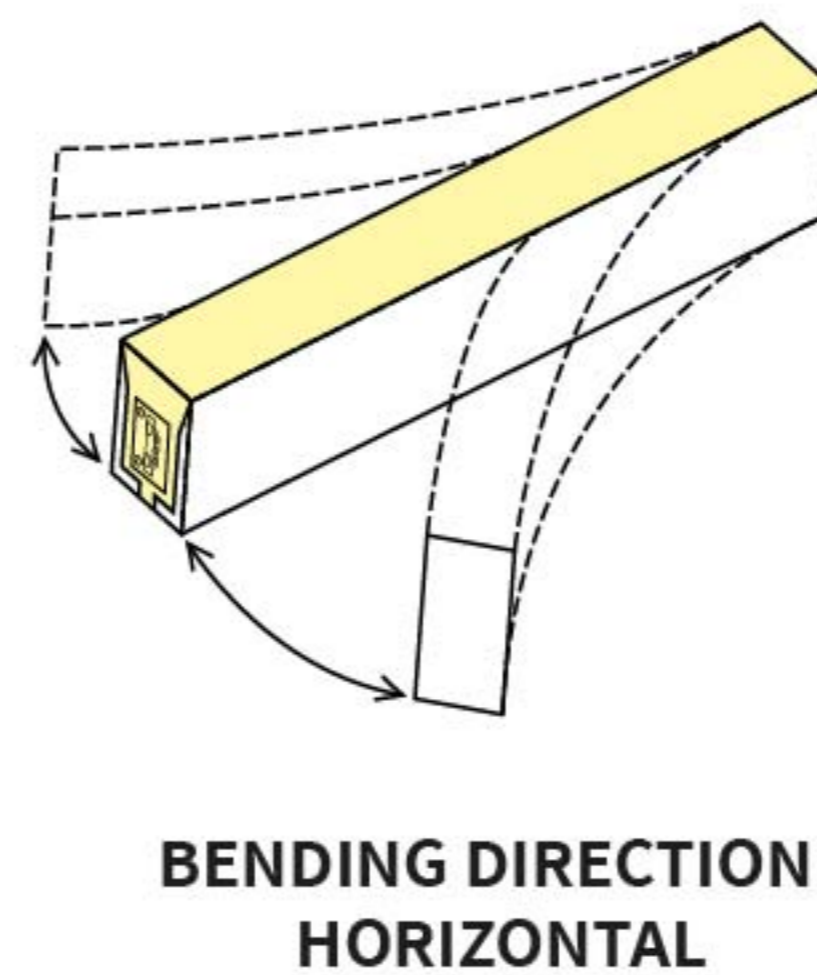
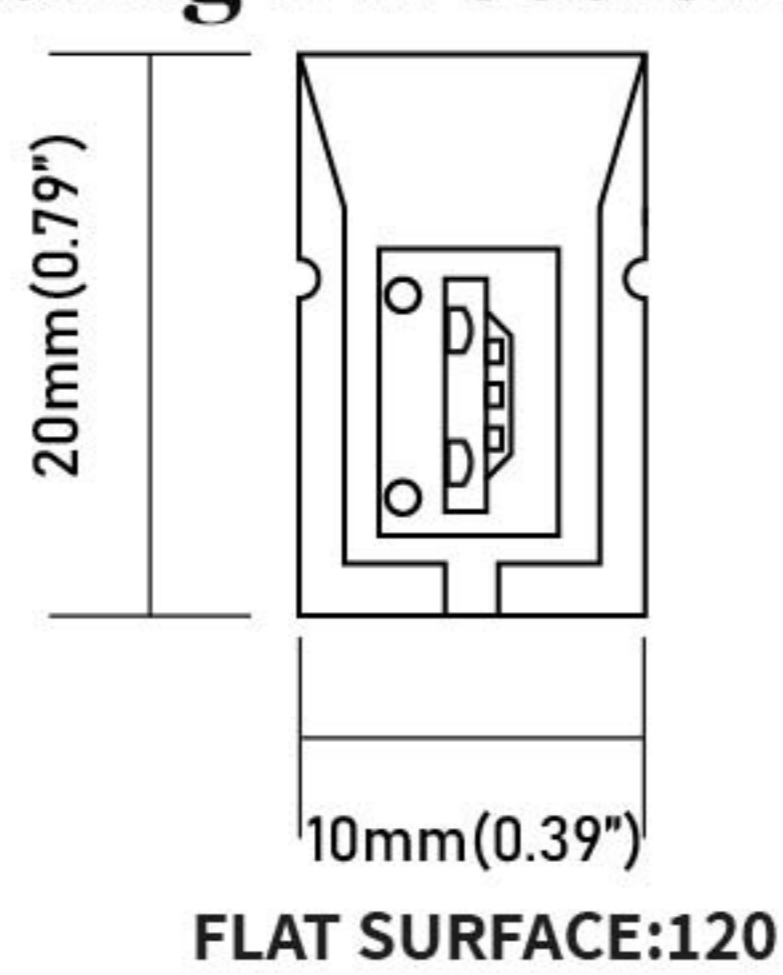
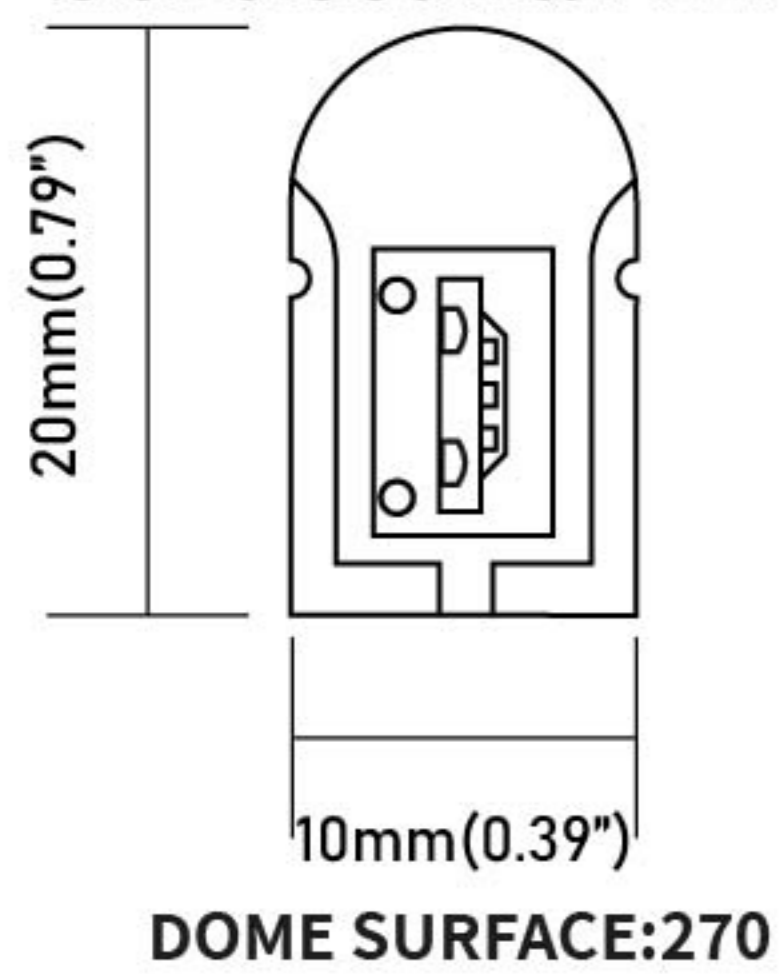
10x20mm
DOME/FLAT

MONO COLOR
24V/110V/220V

SKU:WJ-PNF-1020-MONO-24V/110V/220V



Structural Drawing & Bending Direction



Certifications

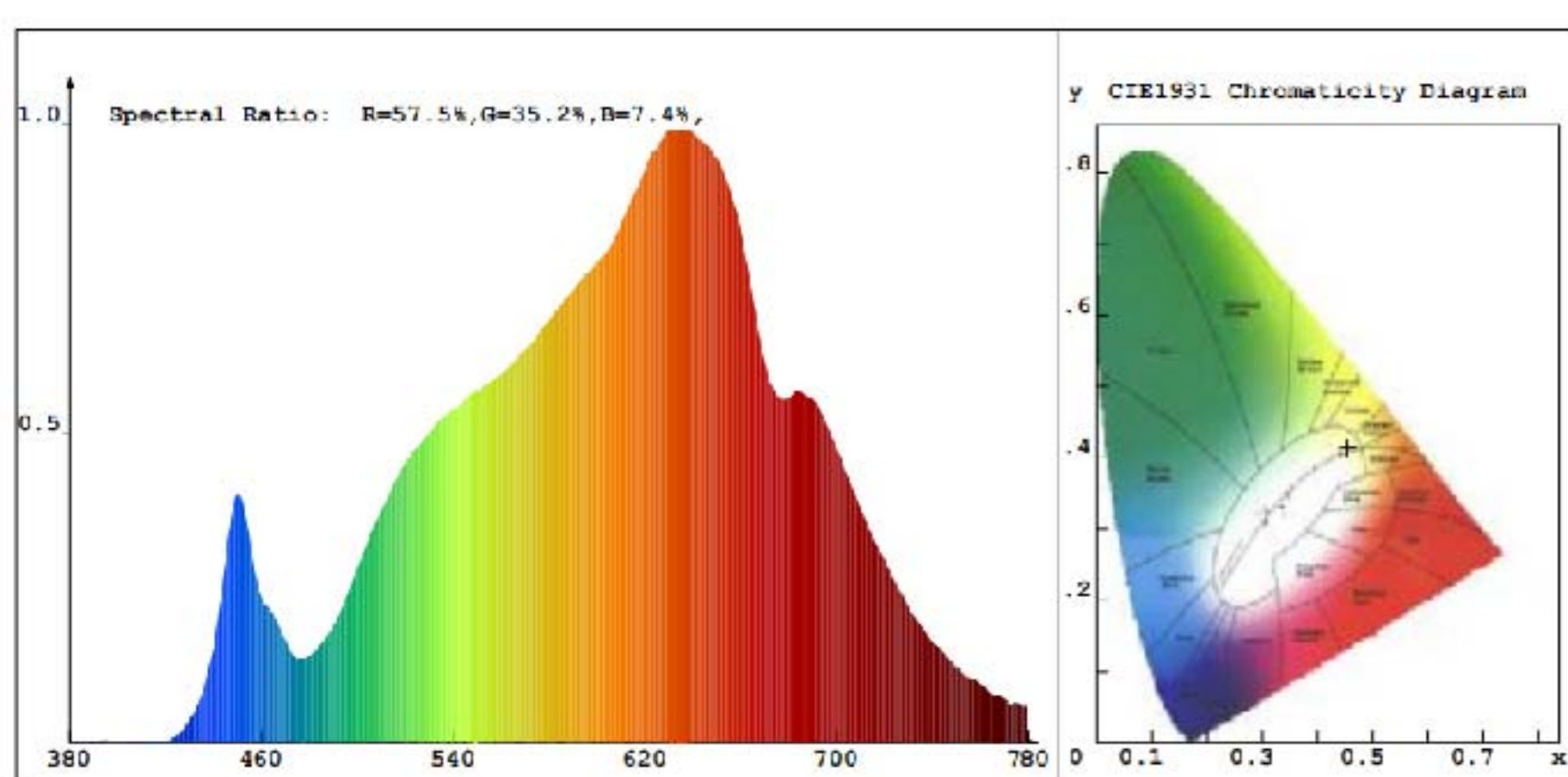


Technical Data

Color temperature : 2200K ● ● ● ● ● 10000K

COLOR	CCT/WAVE	LED QUANTITY	UNIT CUT (24V)	UNIT CUT (110V/220V)	WATTS/M (24V DOME)	LUMEN/M (24V DOME)
Warm White	2800K/584.2nm	96 LEDs/m	12.5 cm	50cm/100cm	8.85W	231.34 lm
Cool White	7300K/477.9nm	96 LEDs/m	12.5 cm	50cm/100cm	8.78 W	220.79 lm
Red	1007K/623.0nm	72 LEDs/m	8.33 cm	50cm/100cm	8.78 W	94.27 lm
Green	8170K/525.7nm	72 LEDs/m	8.33 cm	50cm/100cm	8.21 W	200.80 lm
Blue	464.8nm	72 LEDs/m	8.33 cm	50cm/100cm	9.29 W	31.21 lm
Yellow	1872K/589.0nm	72 LEDs/m	8.33 cm	50cm/100cm	8.87 W	251.32 lm
Orange	1079K/605.0nm	72 LEDs/m	8.33 cm	50cm/100cm	8.87 W	151.48 lm
Light Pink	1494K/616.8nm	72 LEDs/m	8.33 cm	50cm/100cm	8.80W	196.20 lm
Pink (Violet)	568nm	72 LEDs/m	8.33 cm	50cm/100cm	8.32W	61.86 lm
Purple	445.7nm	72 LEDs/m	8.33 cm	50cm/100cm	8.50W	36.91 lm

Optical Parameter Chart for Integrating Sphere Testing



Reliability test

TEST CATEGORY	TEST ITEMS	STANDARD/VALUE
Optical Test	Spectrum Analysis	IES LM 79(CCT, lumen, CRI, SDCM, XY, wavelength)
	Photometric Distribution	IES LM 79(lumen intensity distribution & Lux diagram)
	Lumen Maintenance & Lifetime	IES LM84 & IES TM 28
Temperature Test	Nomal Temperature Test -25°C	UL 1598 & UL2388 & IEC60598-1 & IEC60598-2-21
	Abnormal Operation Test -70°C	UL 1598 & UL2388 & IEC60598-1 & IEC60598-2-21
Physics Test	Bending Test	Manufacturer-defined, 1000 cycles
	Swing Test	UL2388, >750 cycles
	Tensile Test	Manufacturer-defined, >the weight of light in max. running length by double ends feed
	Twist Test	Manufacturer-defined, 200 cycles
	IK08	IEC62262
Weathering Test	Ball Impact	UL 1598 & UL2388 & IEC60598-1 & IEC60598-2-21
	Swimming Pool Water Immersion Test	GB9667, PH6.8-7.6, free chlorine 0.3-0.6mg/L
	Sea Water Immersion Test	IEC 60598-1, Salinity 4%
	Salt Spray Test	IEC68-2-11
Environment Test	Outdoor Exposure	Manufacturer-defined
	Flame Resistant Test	UL94
	UV Exposure Test	ASTMG154, UVA@340nm
	IPX5 IPX6 IPX7 IPX8	IEC60529
	Temperature Shock Test	Manufacturer-defined, -40°C-60°C(typical temperature range)
	Constant Temperature Test	Manufacturer-defined, 70°C(typical temperature range)

Wilgex specializes in engineering LED flexible neon lights and offers both standard and customized services. If you have specific requirements, please contact our sales department.

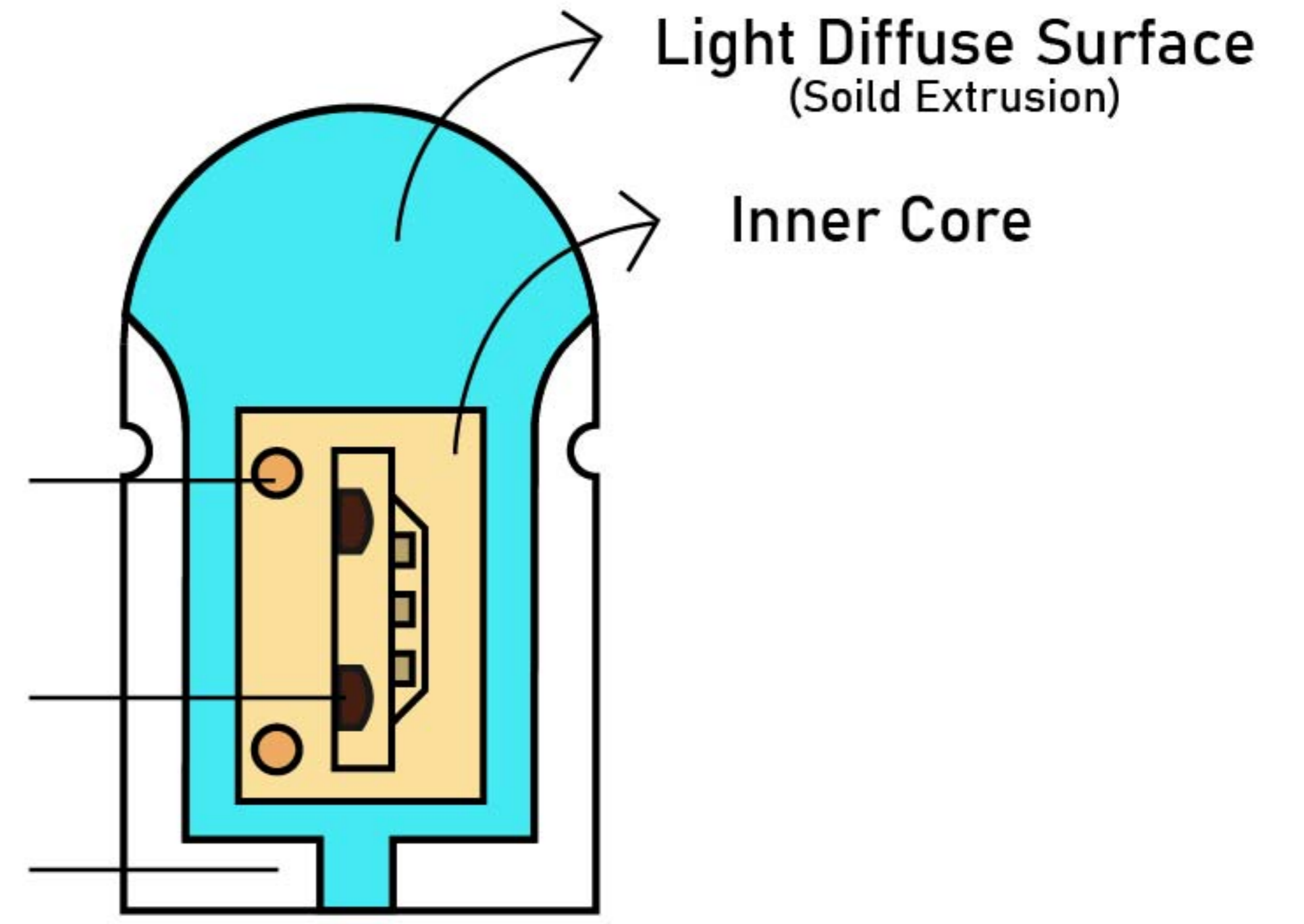
Five-star quality assurance



22 AWG tinned copper wire
(22X0.15mm)

Enhance FPCB

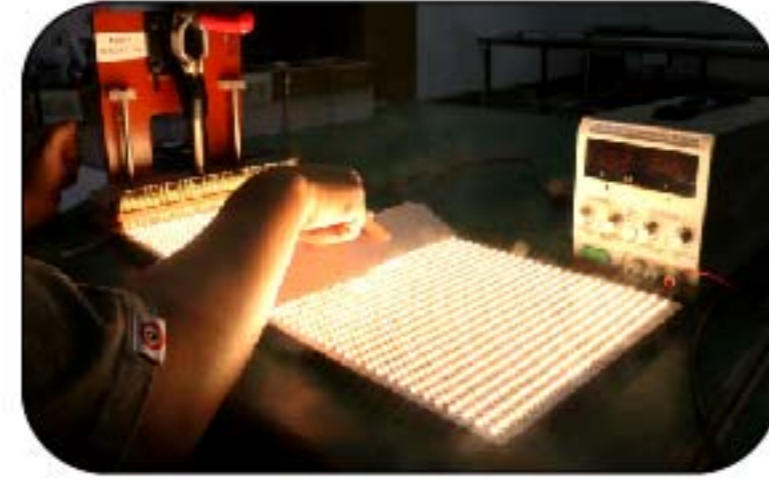
Outer Layer



Unique Design



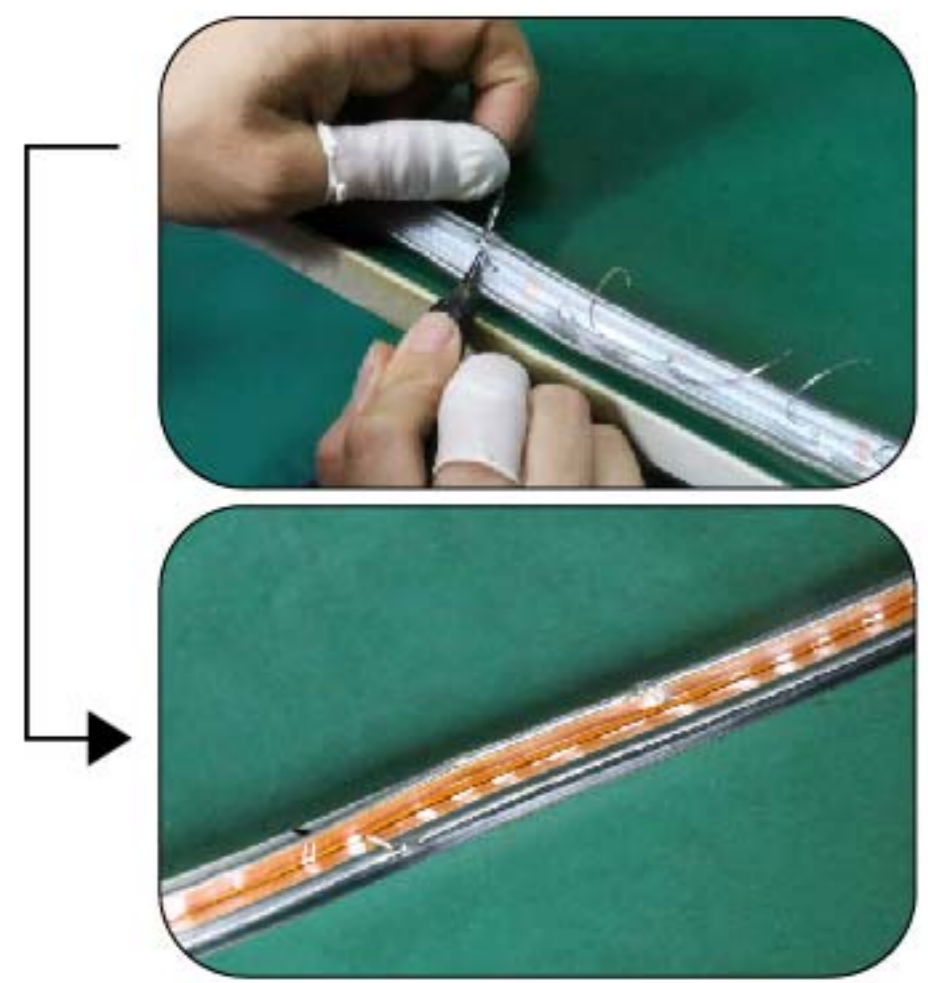
★ Dual Power Supply Design



★ Enhance thickness FPC design principle



★ LED anti-death design



★ Stronger inner core protection design



★ Solid extrusion design for exterior

Features:

1. Ultra-thin: The thickness of the strip is only 10mm
2. Small size: The LED chips have a small size of 10mm x 20mm
3. High-density LED chips: The strips have a high density of LED chips, resulting in a brighter and more uniform light output
4. Flexible and bendable: Can be bent into various shapes and designs
5. Energy-efficient: Uses less power compared to traditional neon lights
6. Long lifespan: Can last up to 50,000 hours
7. Low heat emission: Does not emit as much heat as traditional neon lights
8. Wide color options: Available in a wide range of colors
9. Easy to install: Can be cut and connected to fit any desired length and shape
10. Durable and weather-resistant: Can withstand various weather conditions
11. Safe to use: Low voltage and does not contain hazardous materials like mercury
12. Cost-effective: Offers a cost-effective alternative to traditional neon lights.

Wide Color Options



Warm White

Cool White

Cyan

Blue

Red

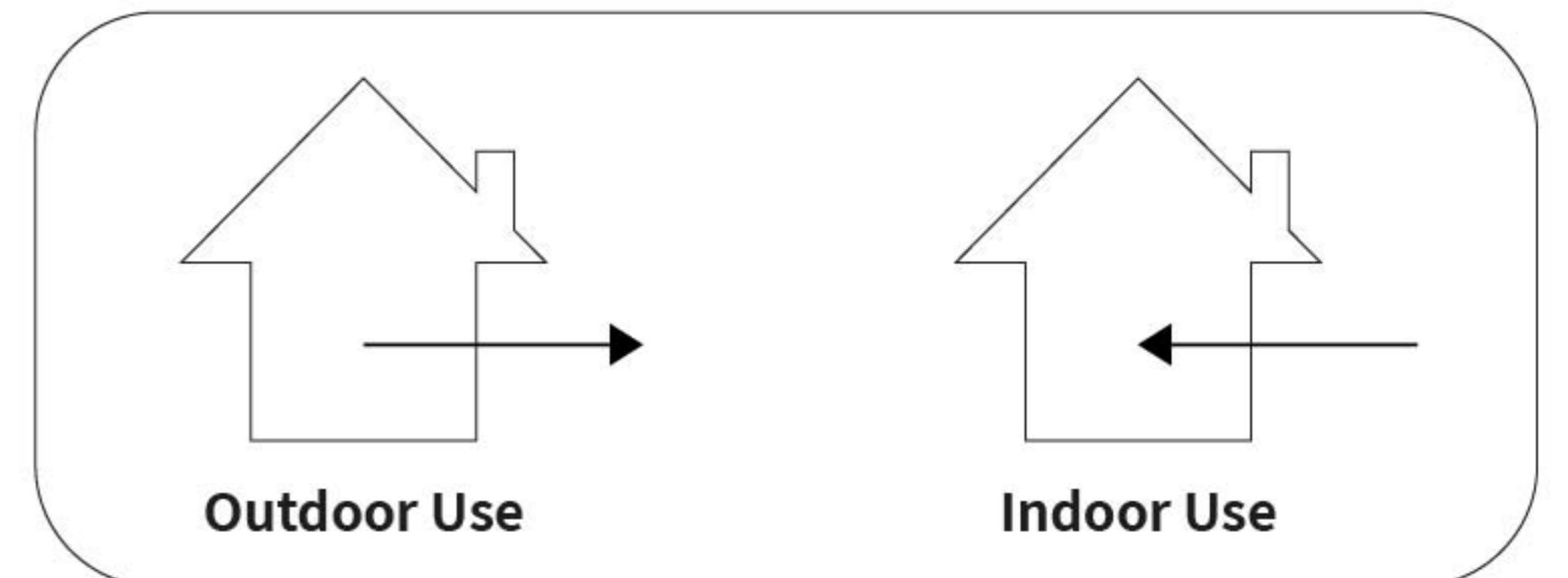
Green

Pink (Violet)

Yellow

Recommended Usage Scenarios :

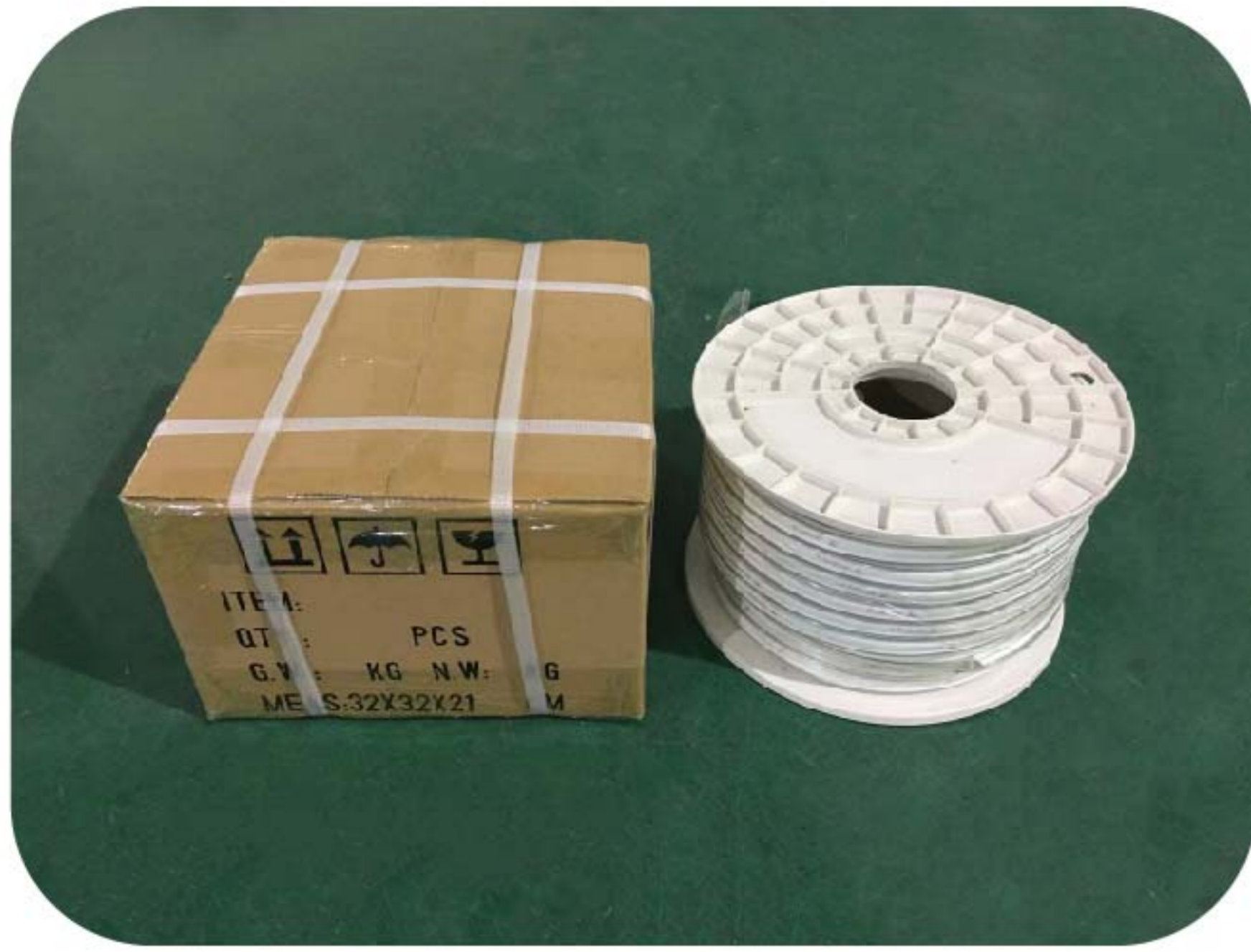
1. Indoor and outdoor architectural lighting decoration
2. Landscape lighting
3. Advertising signage lighting
4. Stage and theater lighting
5. Car and motorcycle lighting
6. Holiday and event lighting decoration
7. Cove lighting
8. Edge-lit lighting
9. Retail and display lighting
10. Restaurant and bar lighting



Please note that these are only recommended usage scenarios and it is important to consult the product specifications and guidelines before using flexible LED neon light strips in any application.



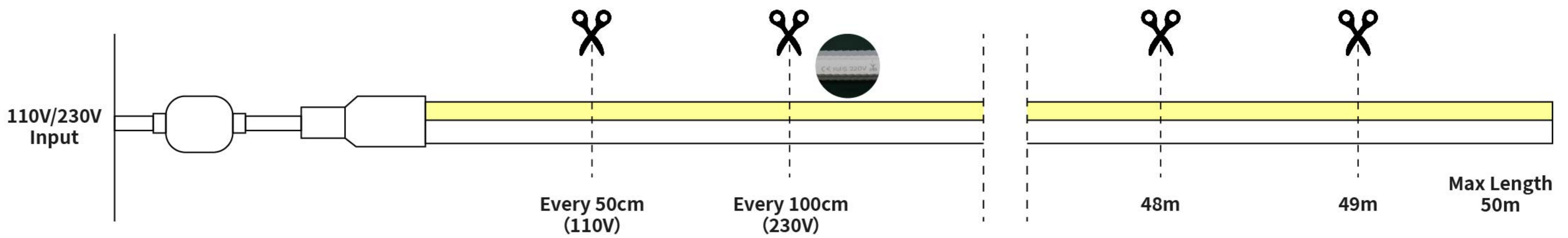
Package



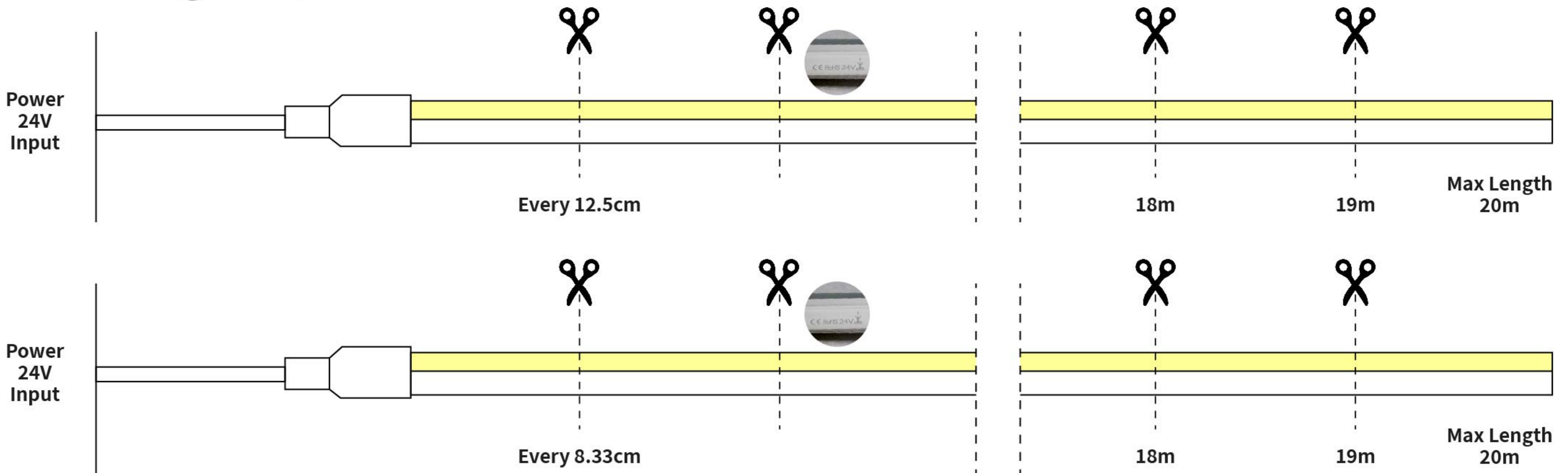
Packing Method : Reel + boardcards
 Quantity / Box : 50 meters / reel
 Gross Weight : 10.5 Kg (23.10LB)
 Size of outer box : 32 x 32 x 21cm
 CBM : 0.022 m3 / box

Mini Cutting Length & Connection Length

• High Voltage (120V / 230V)

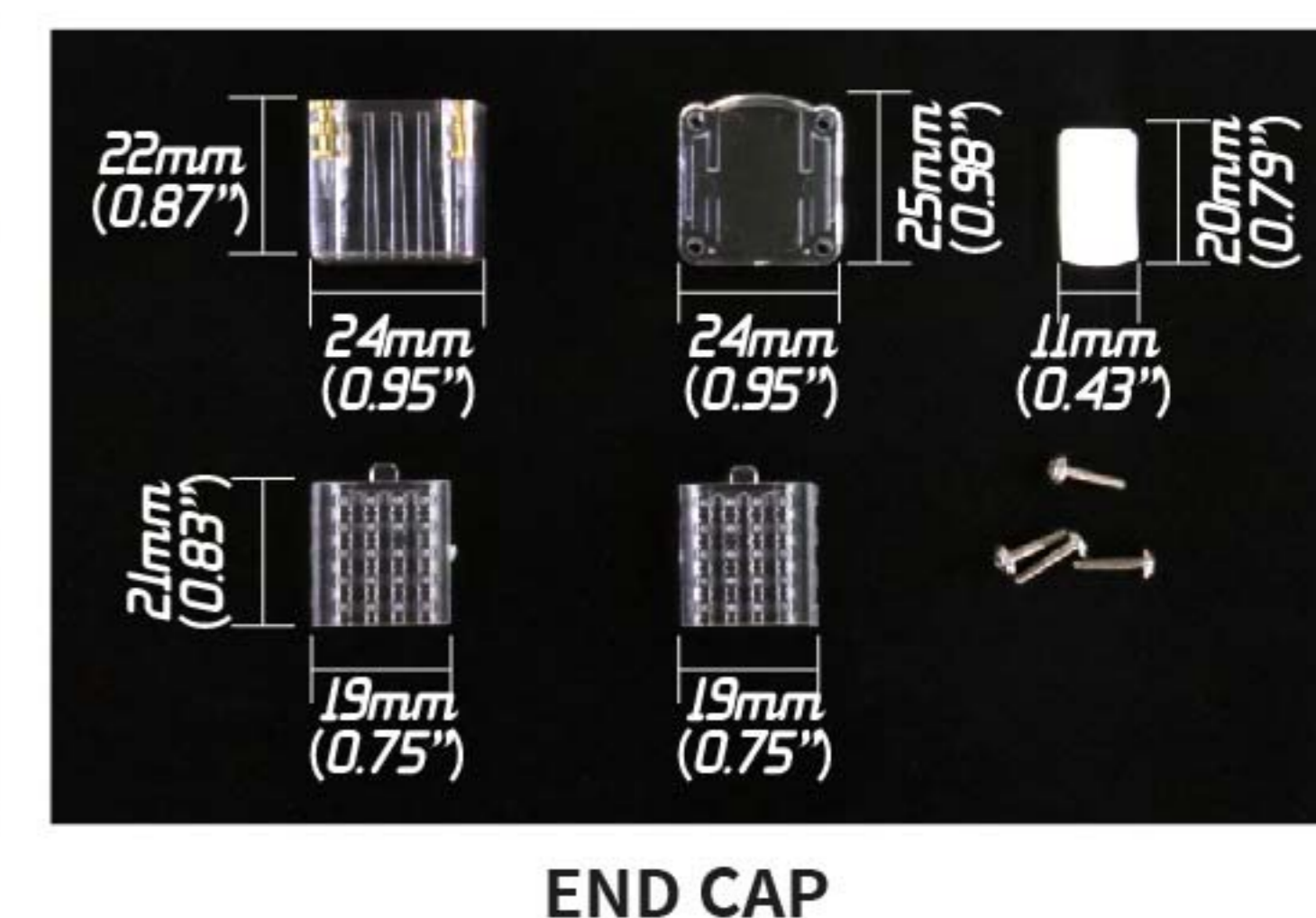
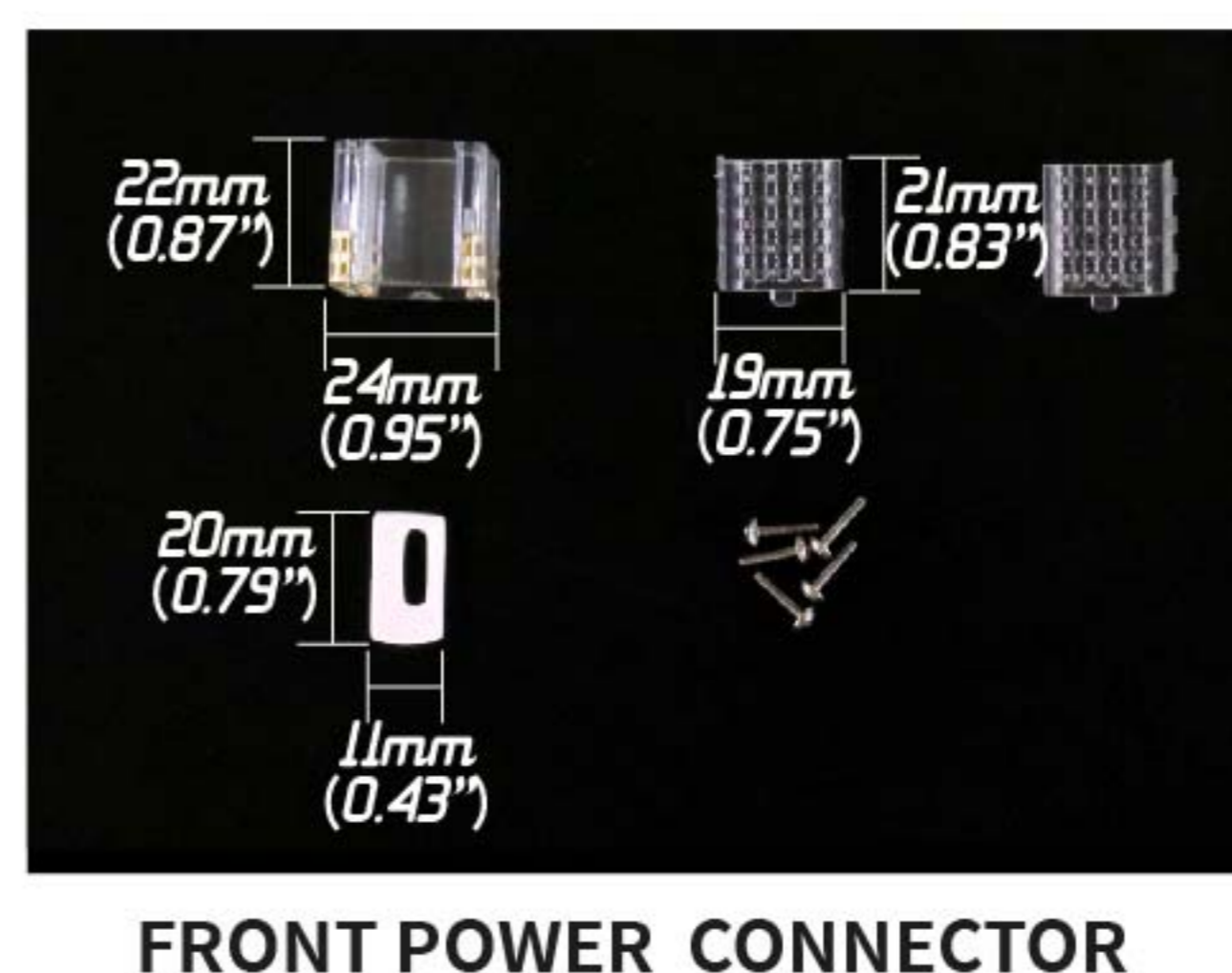
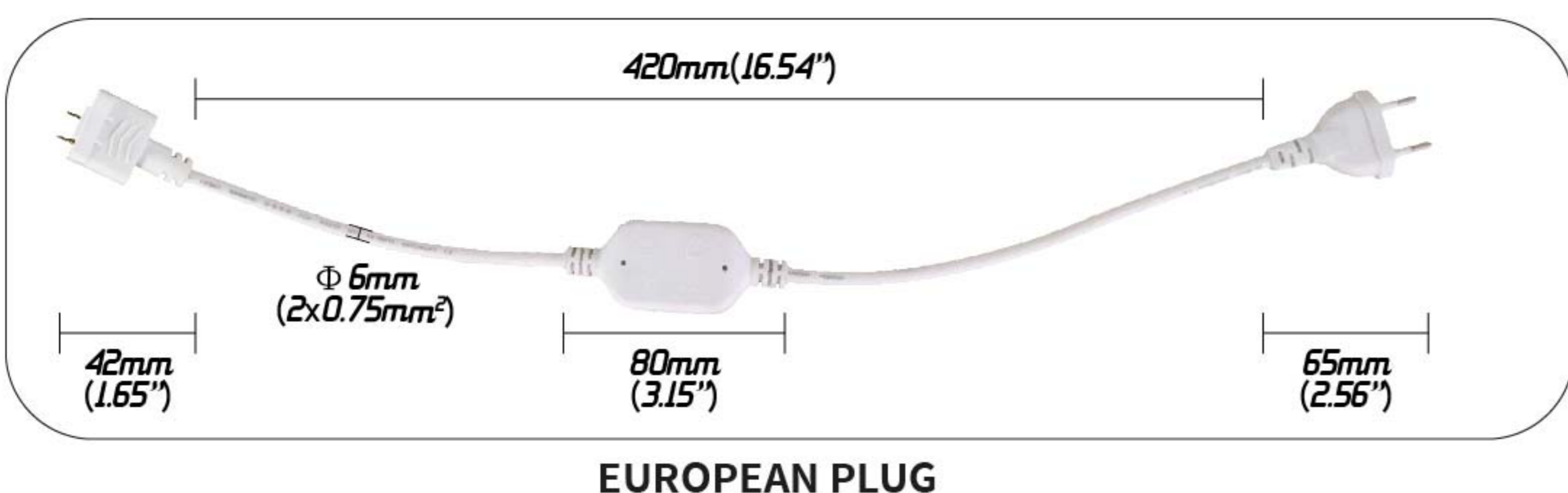
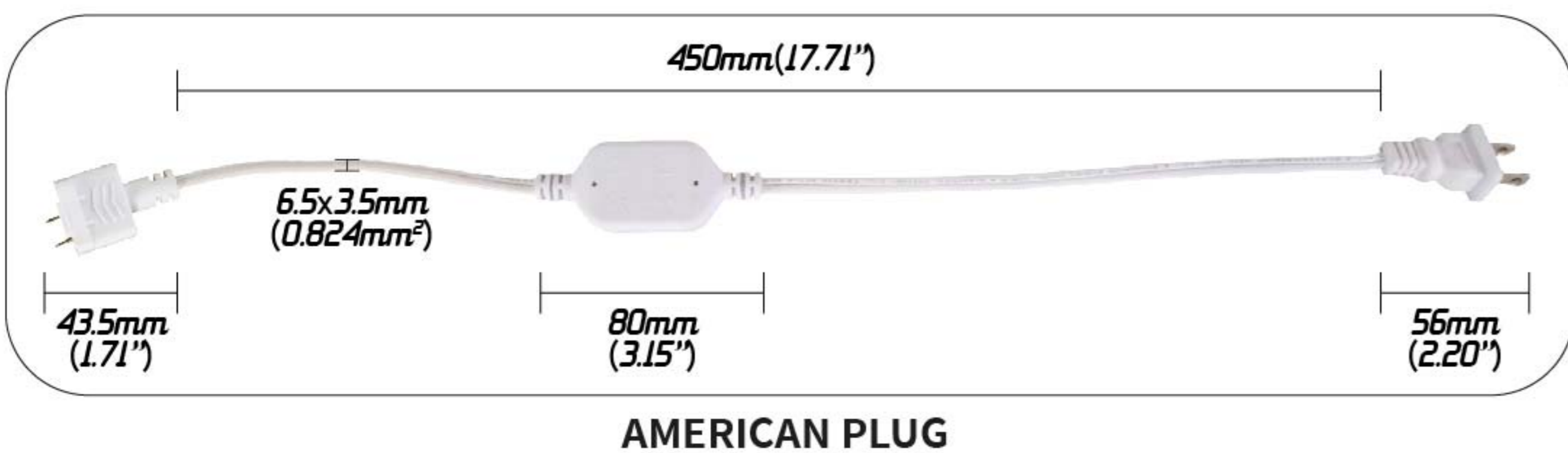


• Low Voltage (24V)

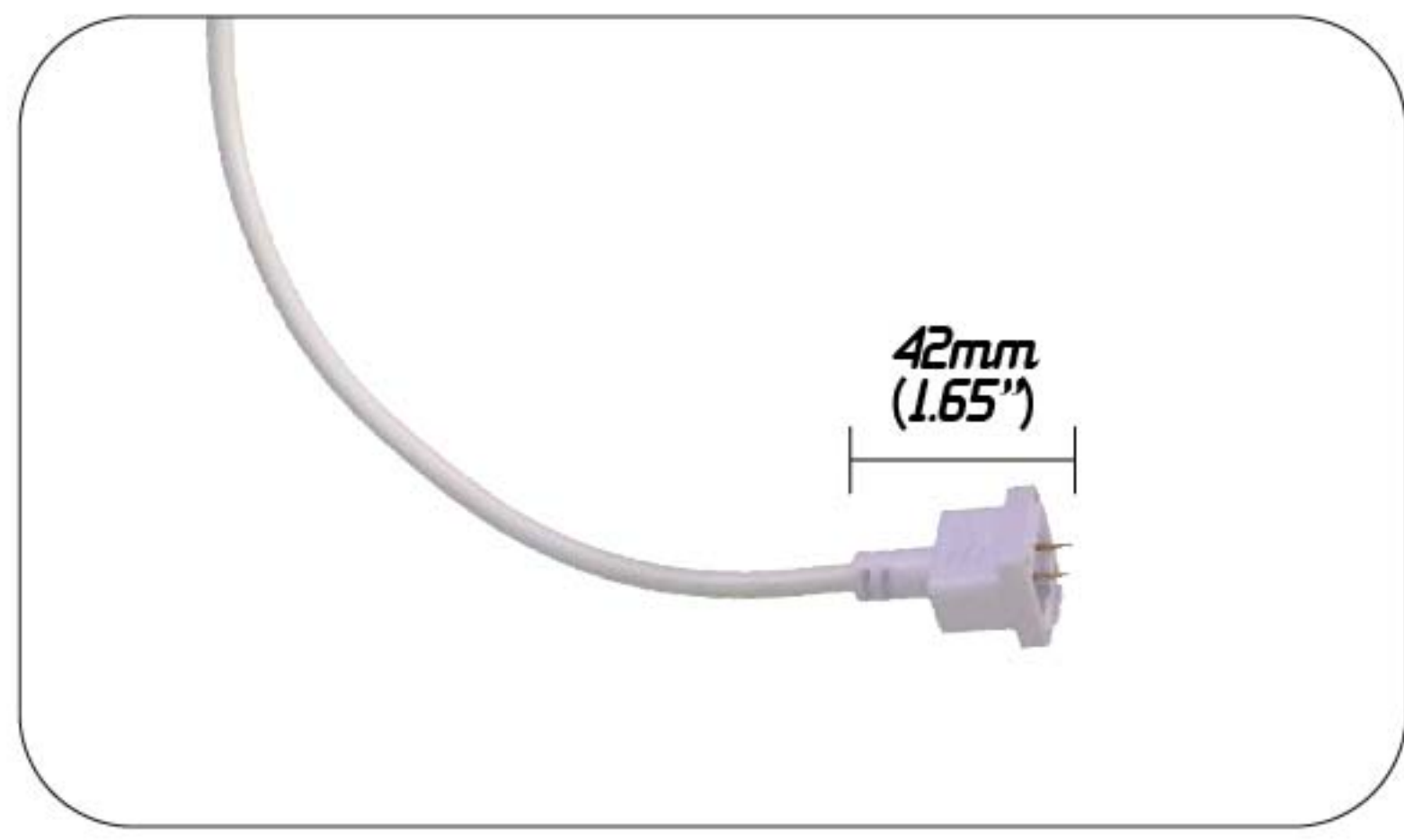


IP68 (DIY Screw & Snap Connector)

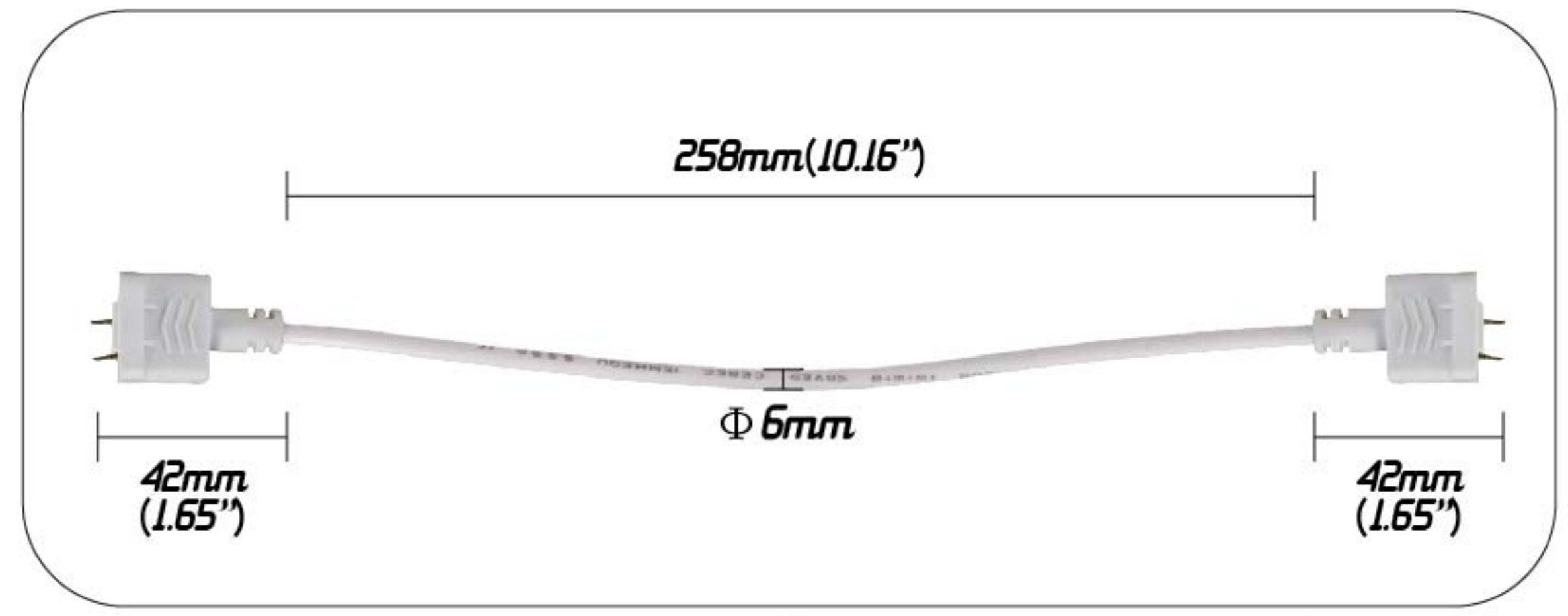
• High Voltage (120V / 230V)



• **Low Voltage (12V / 24V)**



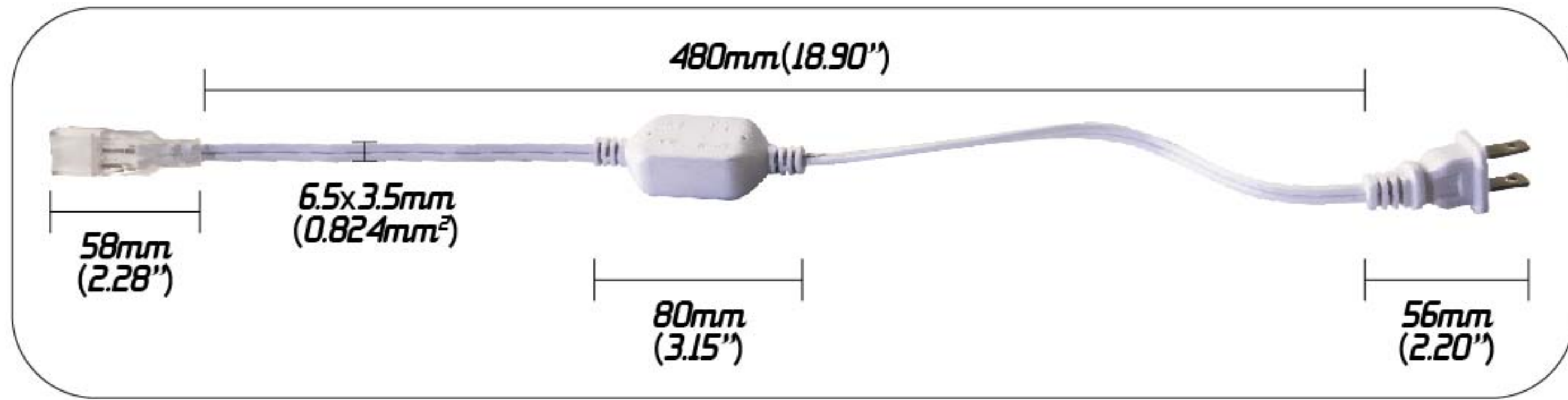
Cable Length: 50cm



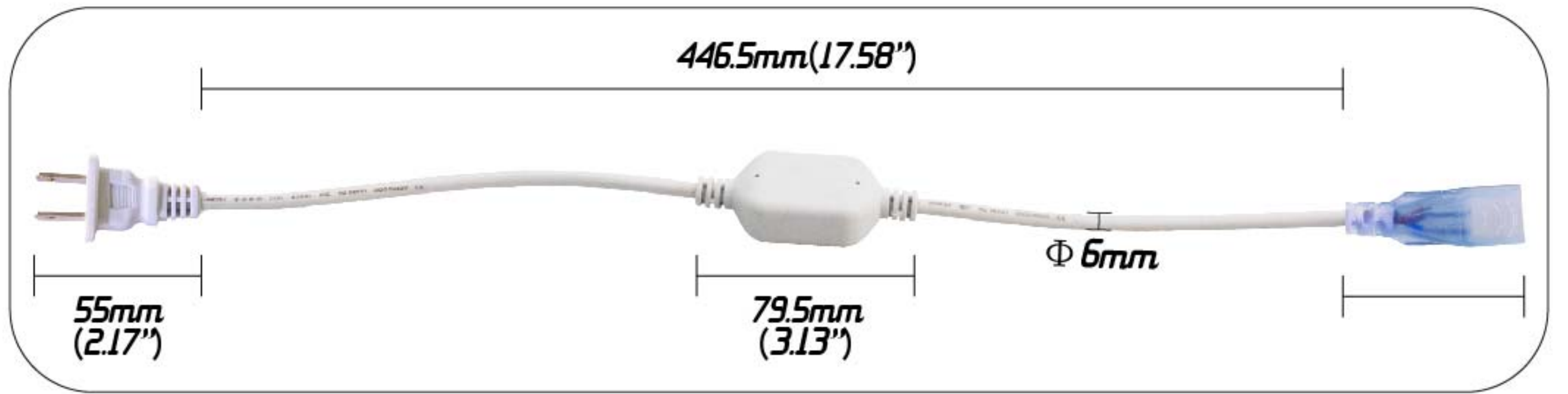
MIDDLE CONNECTOR (UNIVERSAL VOLTAGE)

IP65 (DIY Connector)

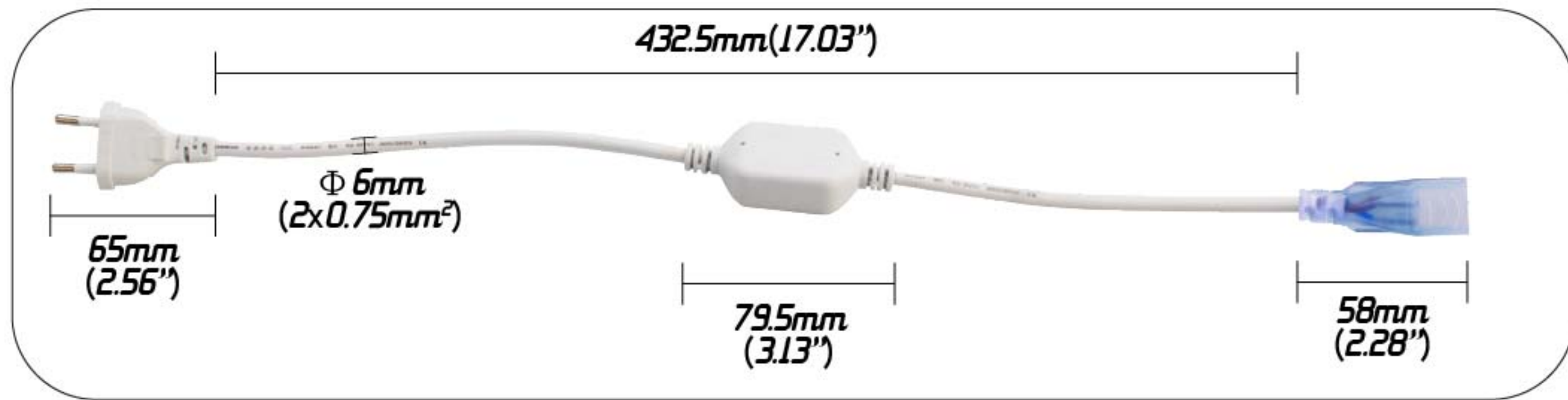
• **High Voltage (120V / 230V)**



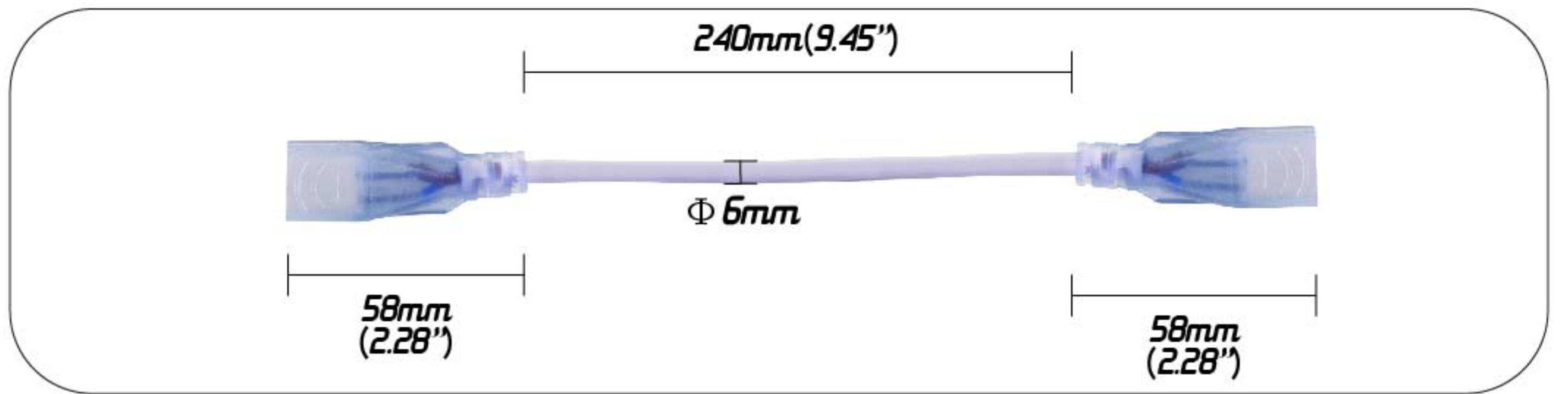
AMERICAN PLUG (110V)



JAPANESE PLUG (110V)

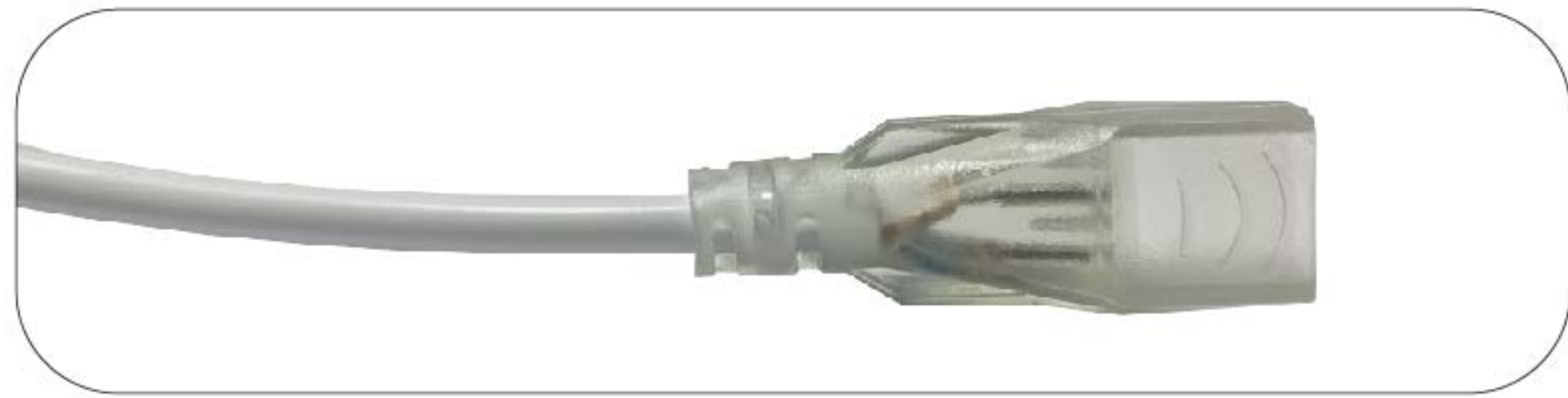


EUROPEAN PLUG (220V)



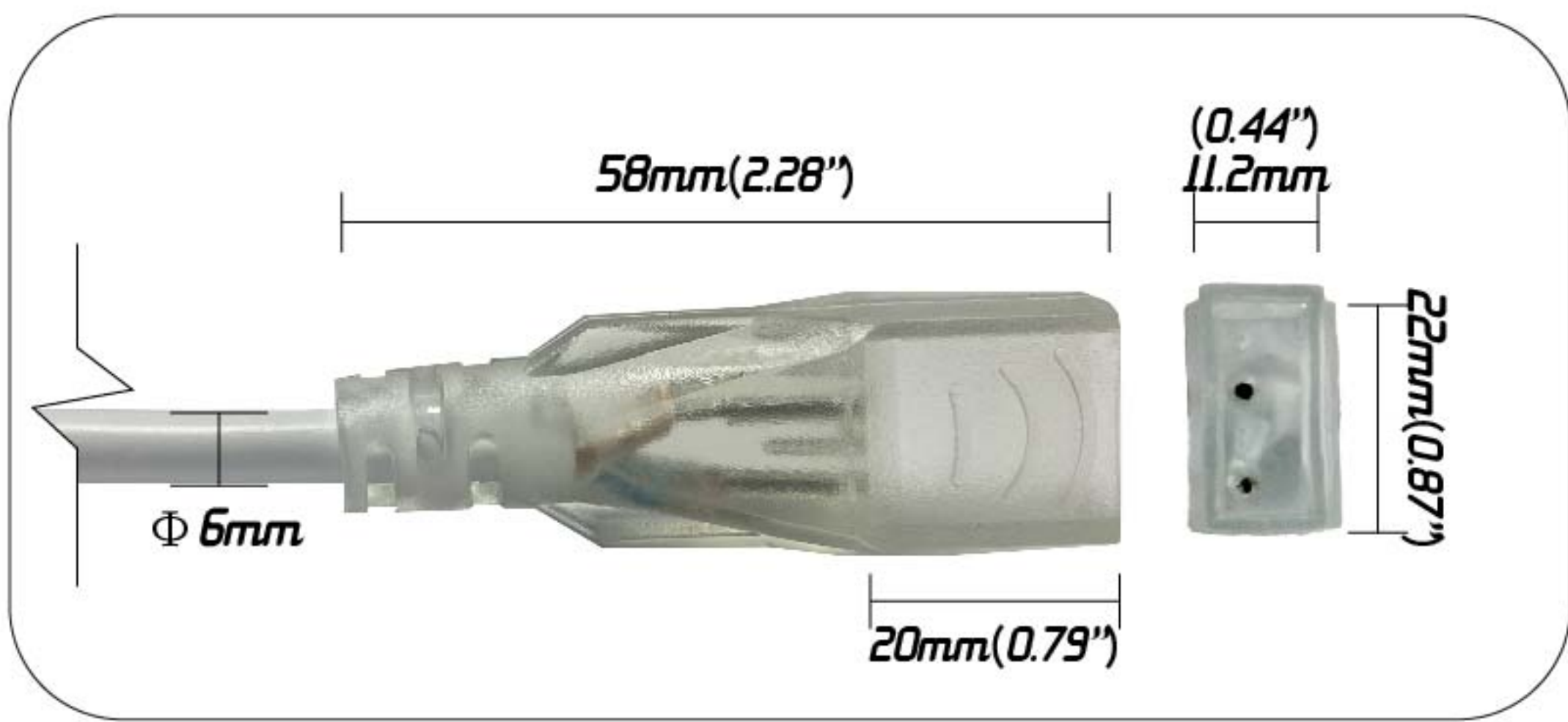
MIDDLE CONNECTOR

• **Low Voltage (12V / 24V)**

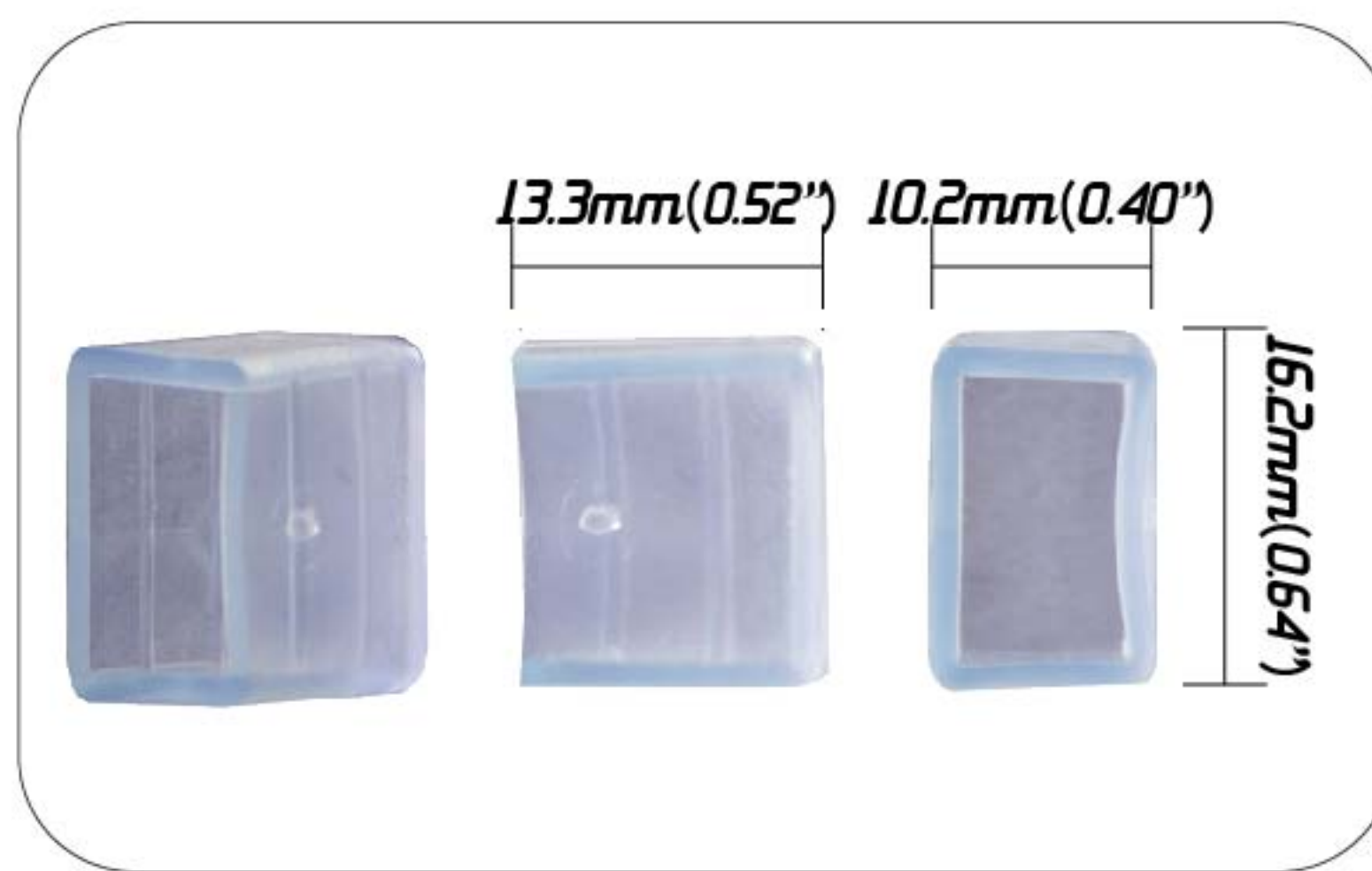


Cable Length: 50cm

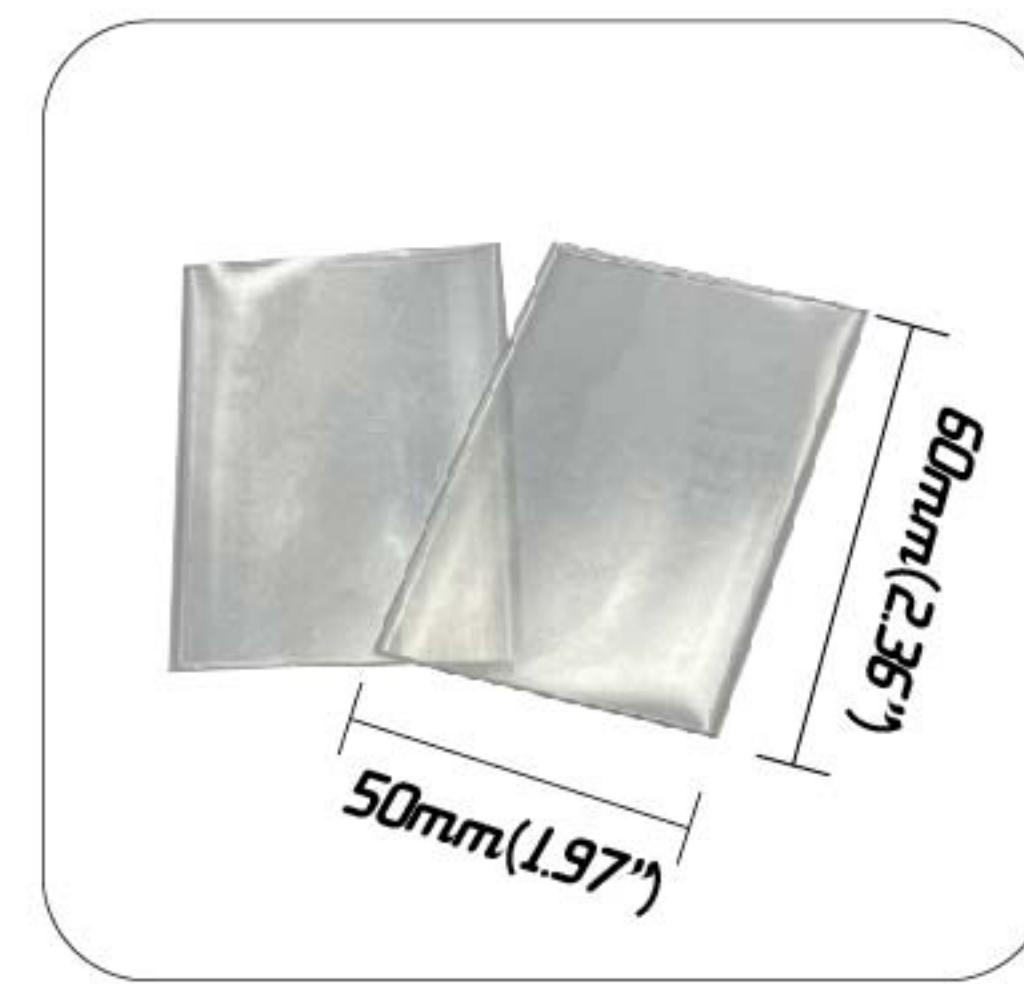
• **Part Details**



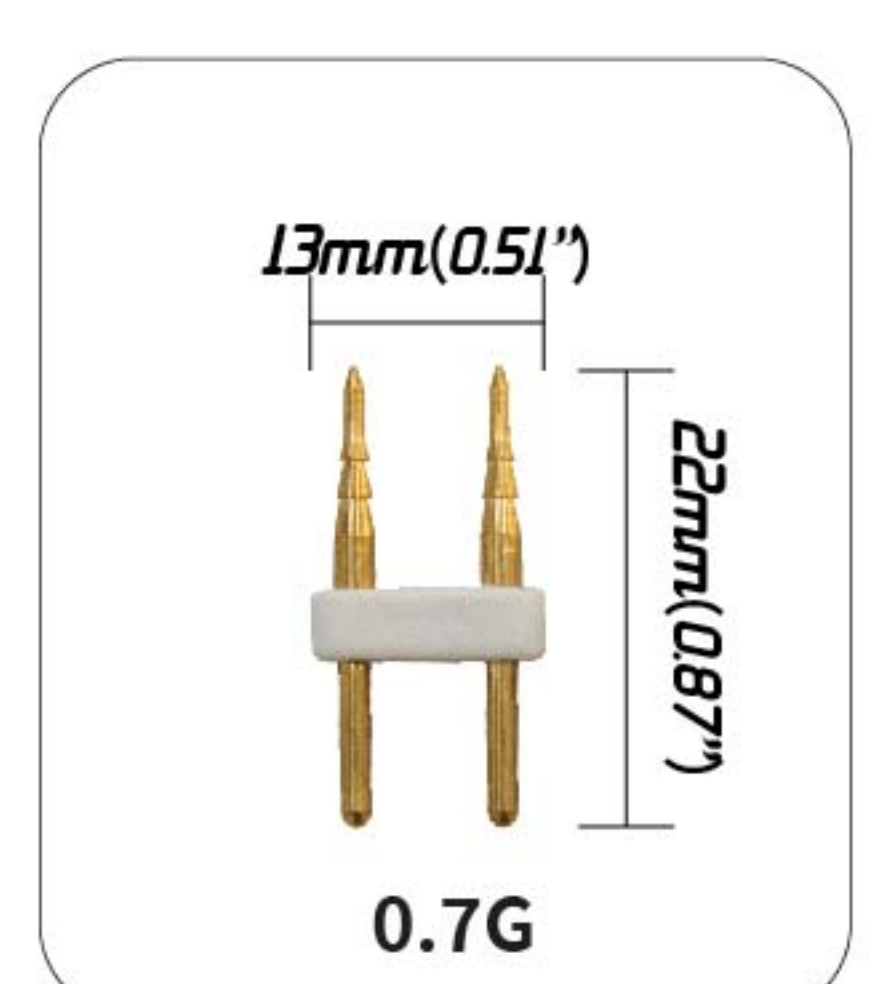
FRONT CONNECTOR



END CAP



HEAT-SHRINK TUBE



PIN2-PINS FOR MONO COLOR

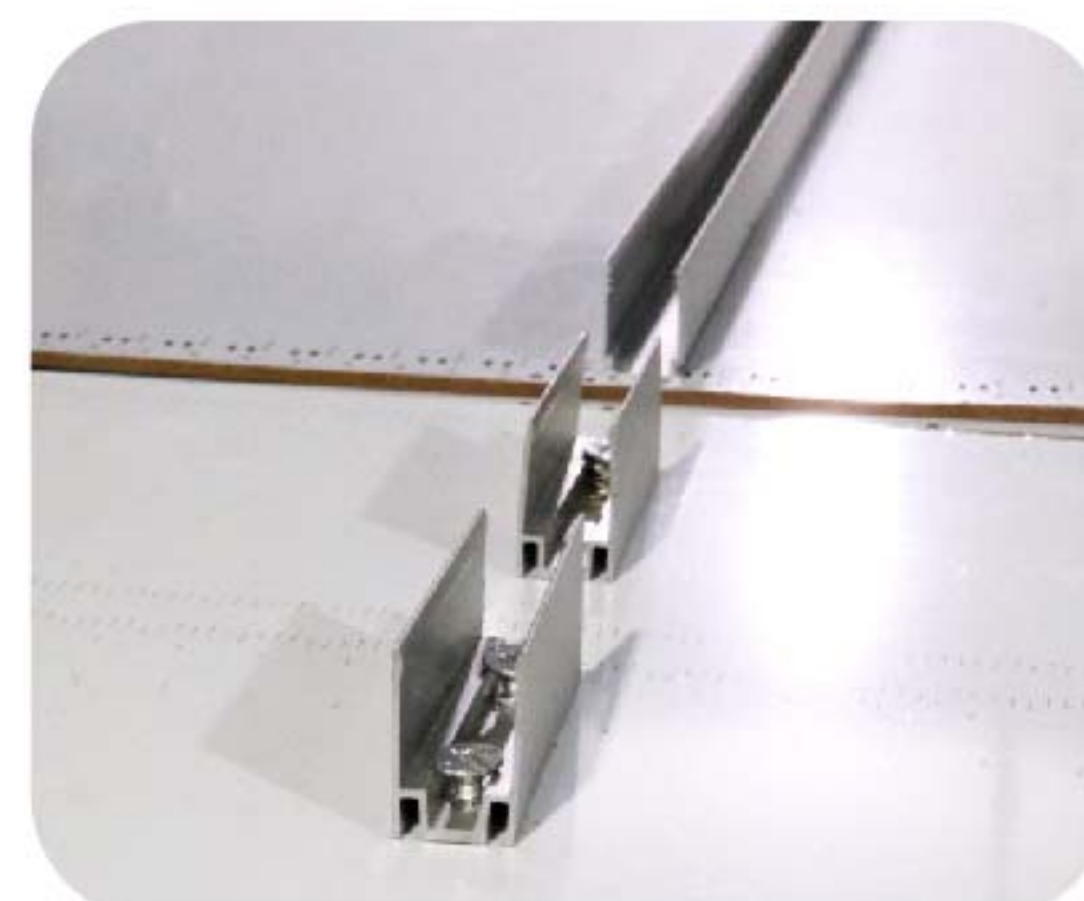
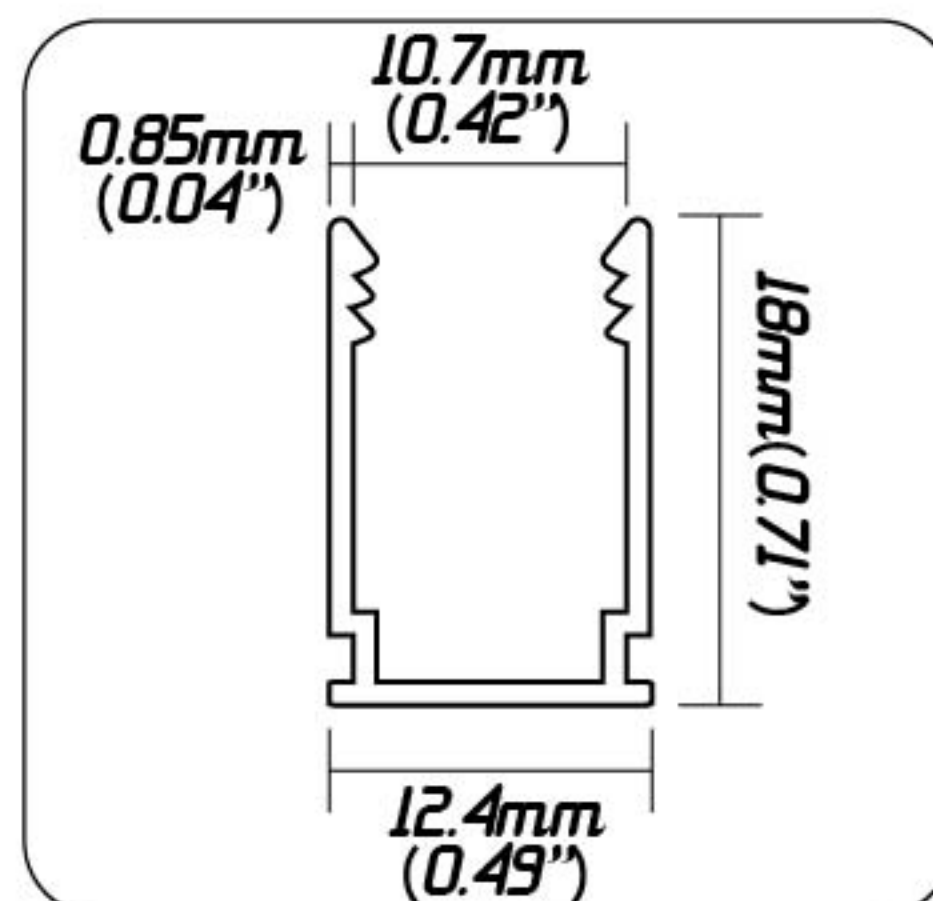
Mounting Aluminum Channel



5CM ALUMINUM PROFILE



ALUMINUM CHANNEL (1M, 2M, 3M)



Mounting Flexible Stainless Channel

