



100x25mm  
FLAT

RGB COLOR  
24V

Professional LED Light Manufacturer  
Since 2008

[www.wilgex-led.com](http://www.wilgex-led.com)

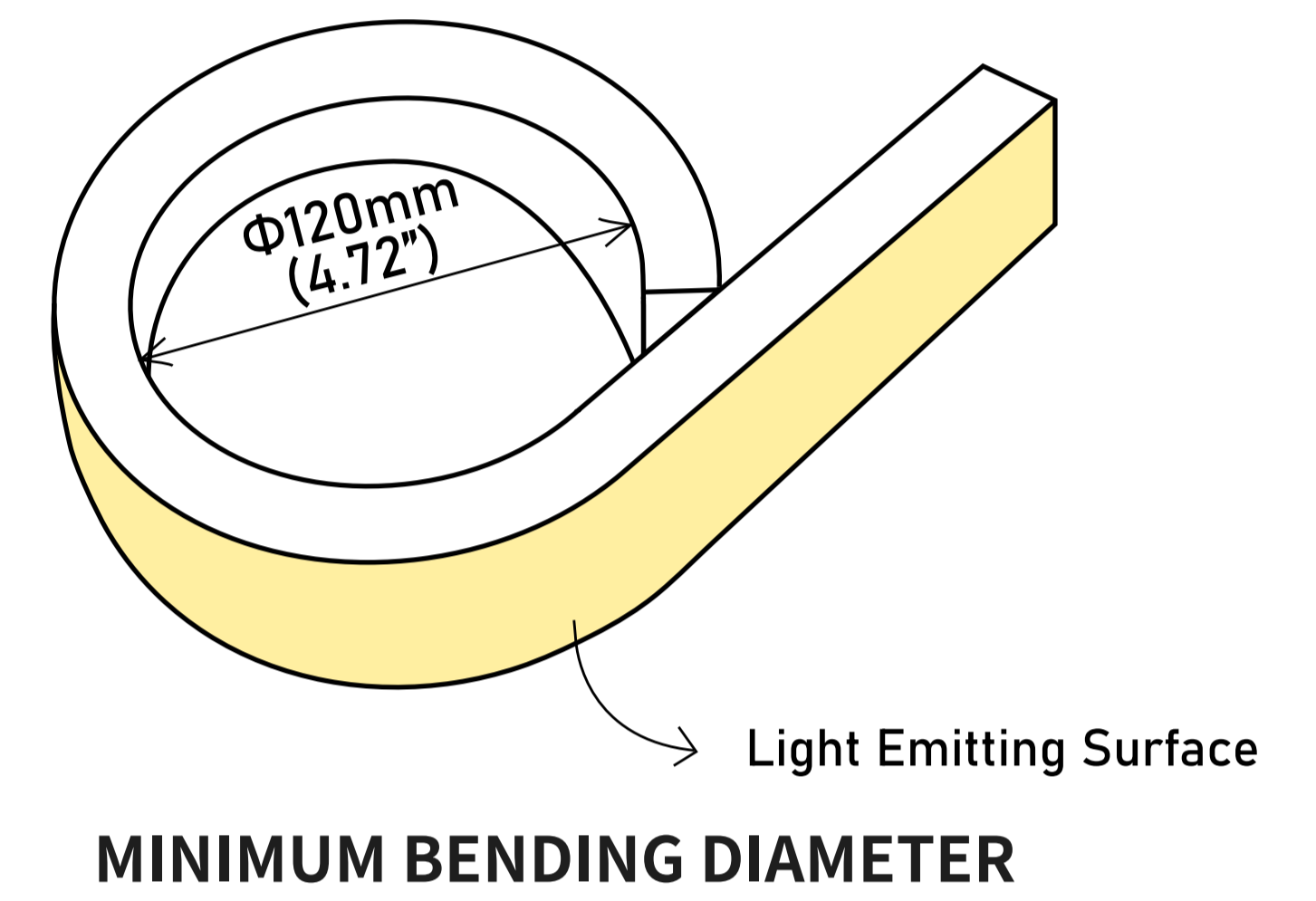
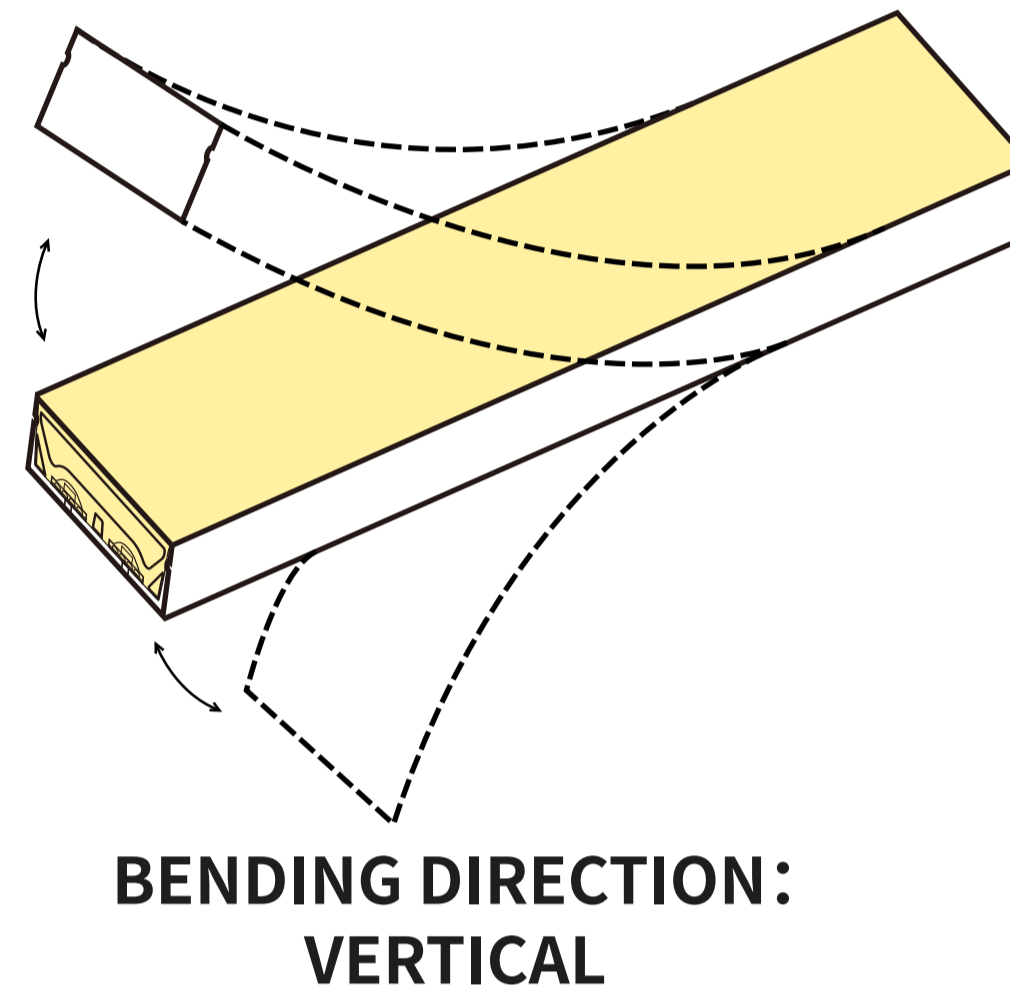
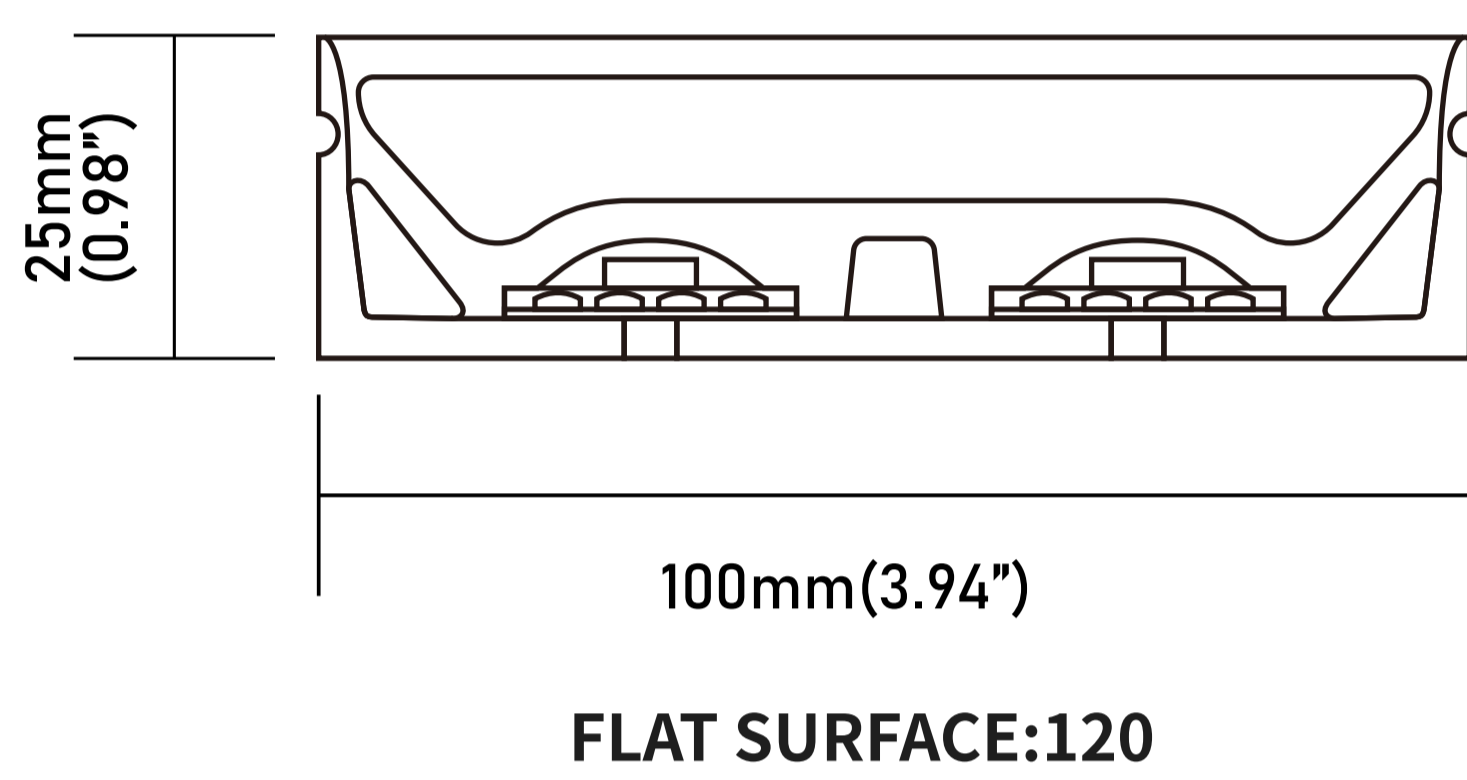
(86) 769-28820681

[info@wilgex-led.com](mailto:info@wilgex-led.com)

SKU:WJ-SNF-10025-RGB-24V



Structural Drawing & Bending Direction

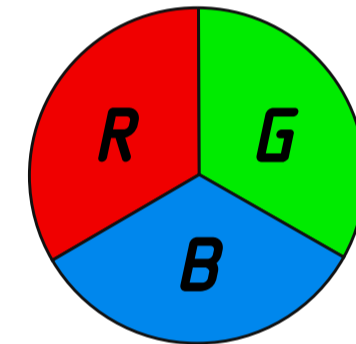


Certifications



Technical Data

PWM-RGB



|                            |  |                           |  |
|----------------------------|--|---------------------------|--|
| <b>Color Temp</b>          | Red:624.5nm<br>Green:524.7nm<br>Blue:470.0nm<br>White:6500K(Color mixing)          | <b>Watts/m( 24V Flat)</b> | Red:7.06 W<br>Green:8.29 W<br>Blue:8.61 W<br>White:23.51 W(Color mixing) |
| <b>Lumen/m ( 24V Flat)</b> | Red:143.03 lm<br>Green:305.64 lm<br>Blue:57.14 lm<br>White:466.71 lm(Color mixing) | <b>Unit Cut(24V)</b>      | 8.33cm   |
| <b>LED Quantity(m)</b>     | 2x 72LEDs  | <b>Max Loading(24V)</b>   | 5m   |

Optical Parameter Chart for Integrating Sphere Testing

Chroma Parameters  
Chro.Coor.: x=0.2474 y=0.2614 u=0.1754 v=0.2780 duv=0.0083  
CCT: Tc=22432K Dominant Wave.: 480.9nm Purity: 35.6%  
Flux Ratio: R=21.6%,G=67.2%,B=11.2% Peak Wave.: 466.1nm Half Width: 23.0nm

Bending Index: Ra= 39.9  
R1 =26.6 R2 =49.6 R3 =65.4 R4 =48.5 R5 =49.6 R6 =49.9 R7 =46.9  
R8 =-16.6 R9 =-257.5R10=-19.2 R11=45.0 R12=54.6 R13=27.0 R14=76.8  
R15=1.9

Photo Parameters  
Flux: 467.14lm Effi.: 19.8lm/W Radiant: 2371.1mW Iv: 0.0mcd

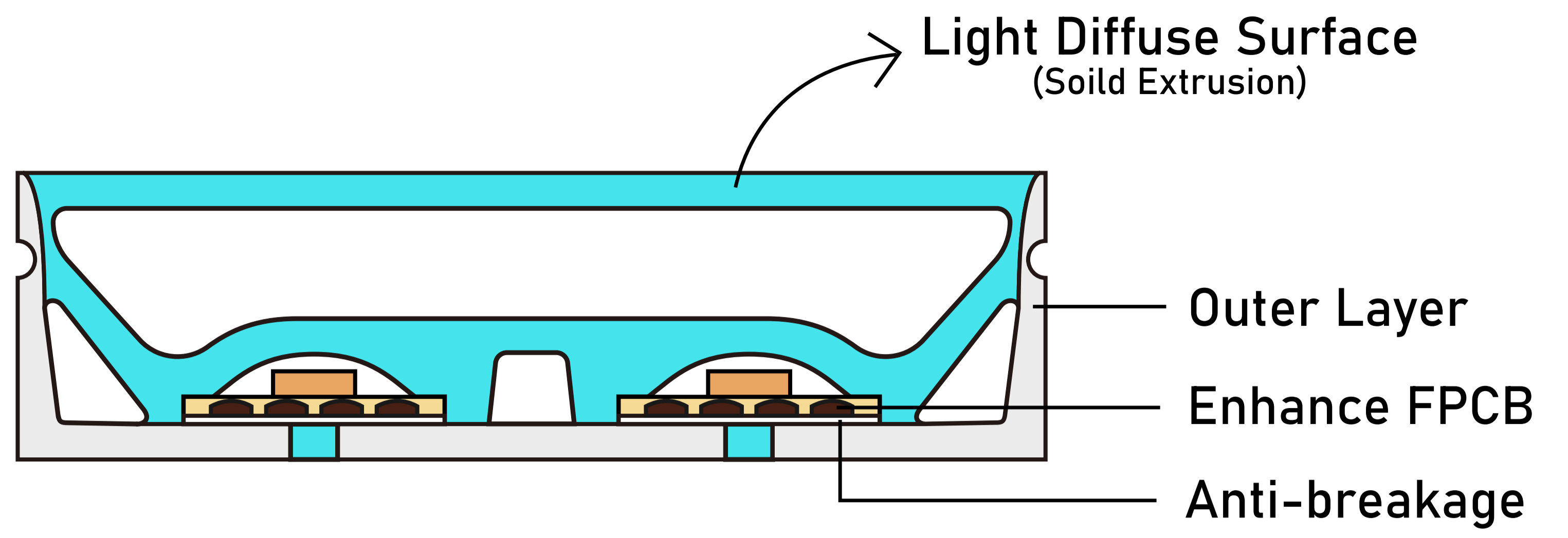
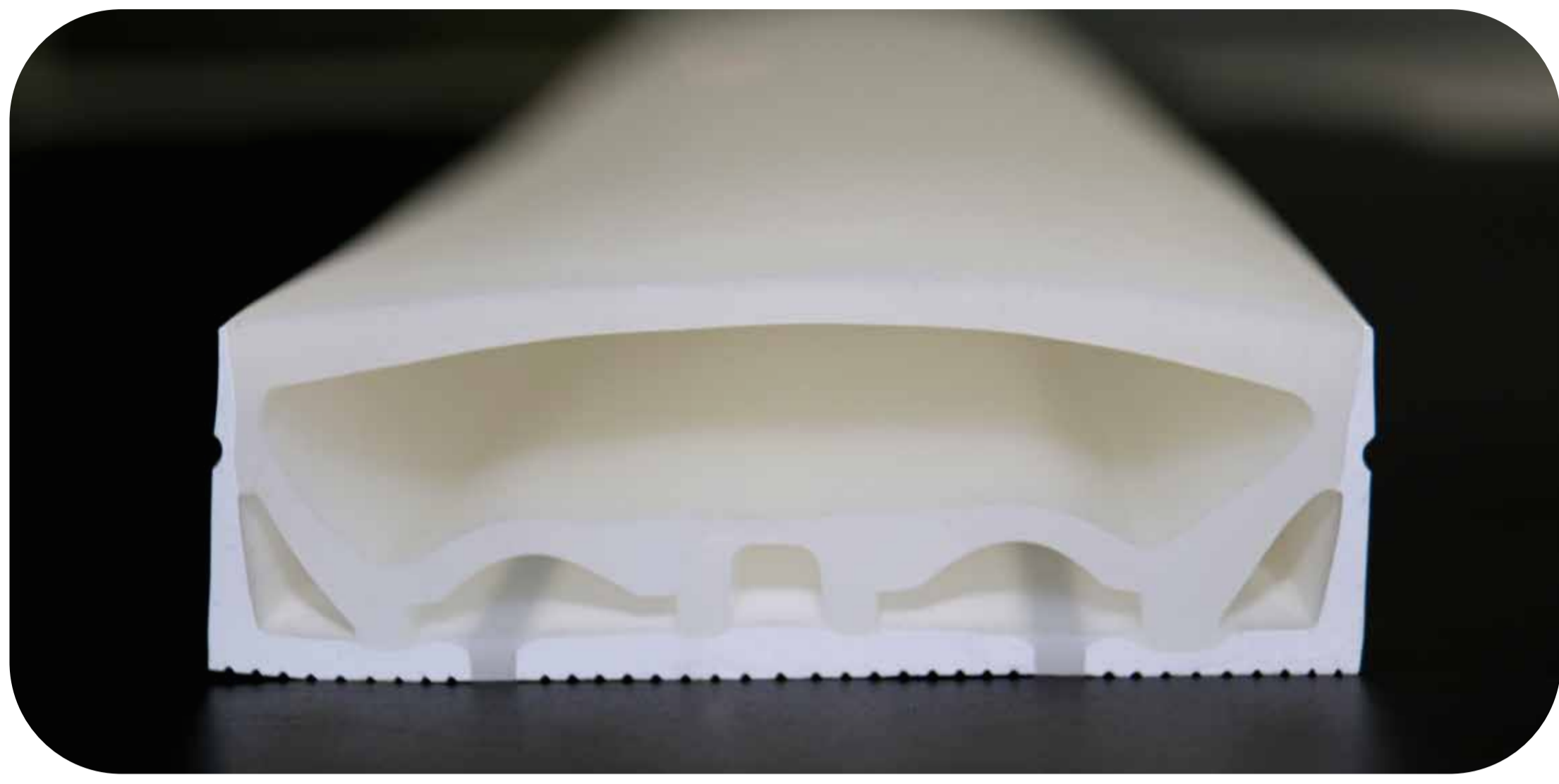
Ele. Parameters  
Voltage:U=24.000V Current:I=0.9790A  
Power:P=23.50W Power Factor:PF=1.000

Reliability test

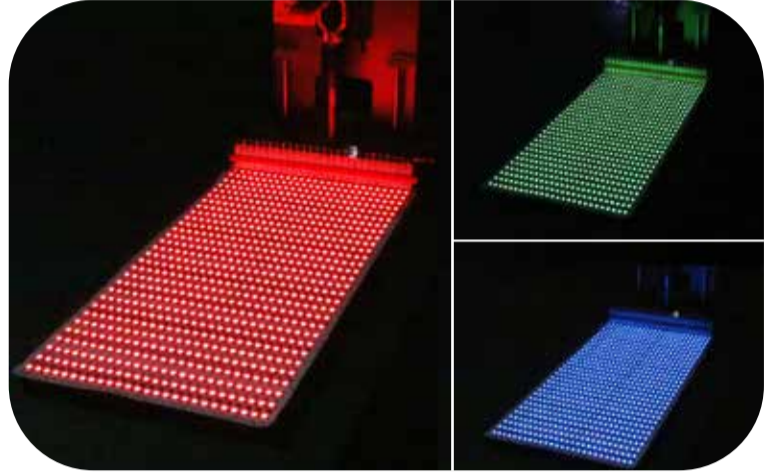
| TEST CATEGORY    | TEST ITEMS                         | STANDARD/VALUE  |
|------------------|------------------------------------|---|
| Optical Test     | Spectrum Analysis                  | IES LM 79(CCT, lumen, CRI, SDCM, XY, wavelength)                                      |
|                  | Photometric Distribution           | IES LM 79(lumen intensity distribution & Lux diagram)                                 |
|                  | Lumen Maintenance & Lifetime       | IES LM84 & IES TM 28  |
| Temperature Test | Nomal Temperature Test -25°C       | UL 1598 & UL2388 & IEC60598-1 & IEC60598-2-21   |
|                  | Abnormal Operation Test -70°C      | UL 1598 & UL2388 & IEC60598-1 & IEC60598-2-21   |
| Physics Test     | Bending Test                       | Manufacturer-defined, 1000 cycles   |
|                  | Swing Test                         | UL2388, >750 cycles   |
|                  | Tensile Test                       | Manufacturer-defined, >the weight of light in max. running length by double ends feed |
|                  | Twist Test                         | Manufacturer-defined, 200 cycles  |
|                  | IK08                               | IEC62262  |
| Weathering Test  | Ball Impact                        | UL 1598 & UL2388 & IEC60598-1 & IEC60598-2-21   |
|                  | Swimming Pool Water Immersion Test | GB9667, PH6.8-7.6, free chlorine 0.3-0.6mg/L  |
|                  | Sea Water Immersion Test           | IEC 60598-1, Salinity 4%  |
|                  | Salt Spray Test                    | IEC68-2-11  |
| Environment Test | Outdoor Exposure                   | Manufacturer-defined  |
|                  | Flame Resistant Test               | UL94  |
|                  | UV Exposure Test                   | ASTMG154, UVA@340nm   |
|                  | IPX5 IPX6 IPX7 IPX8                | IEC60529  |
|                  | Temperature Shock Test             | Manufacturer-defined, -40°C-60°C(typical temperature range)                           |
|                  | Constant Temperature Test          | Manufacturer-defined, 70°C(typical temperature range)                                 |

Wilgex specializes in engineering LED flexible neon lights and offers both standard and customized services. If you have specific requirements, please contact our sales department.

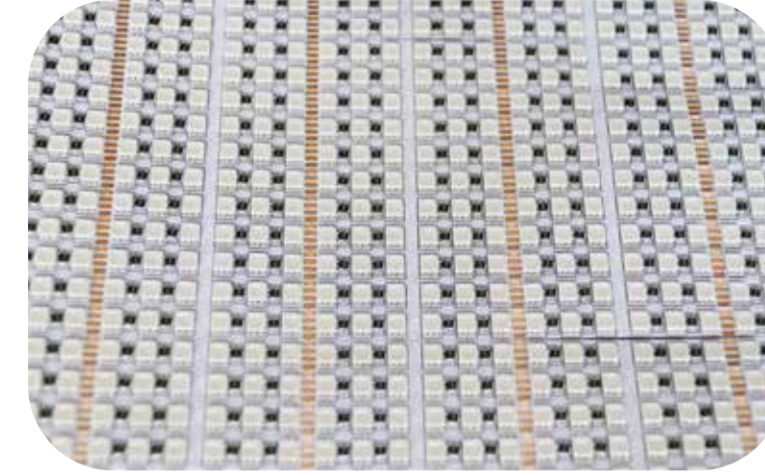
**Four-star quality assurance**



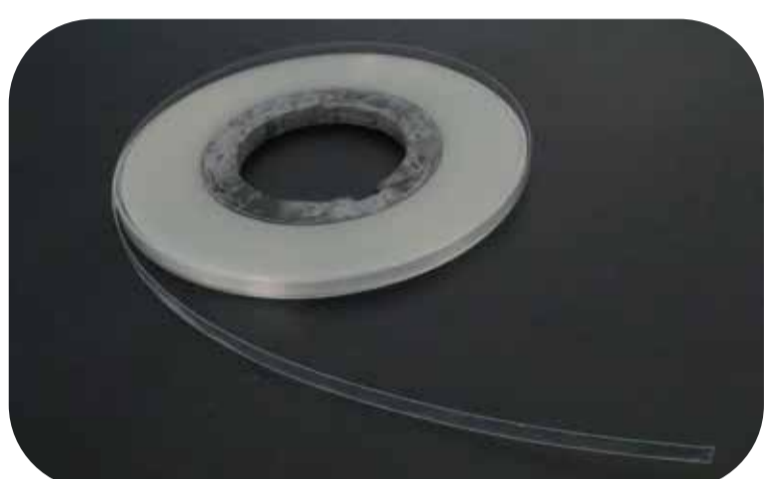
**Unique Design**



★ Enhance thickness FPC design principle



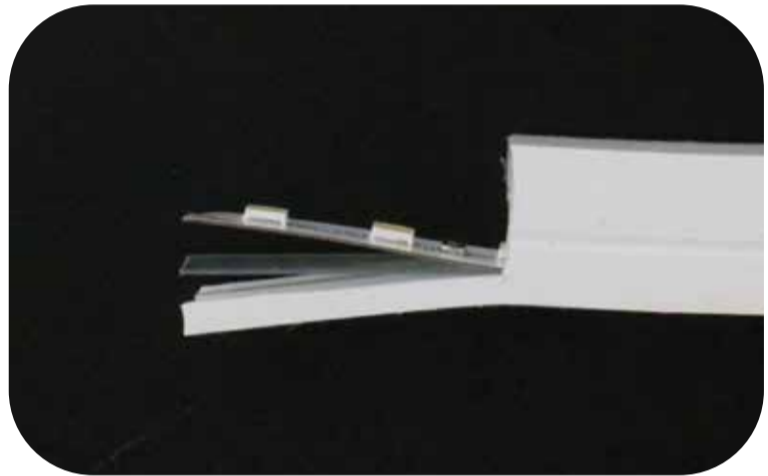
★ LED anti-death design



★ Add a break protection layer



★ Solid extrusion design for exterior



**Features:**

1. Size: The bigger size of this LED Neon Flex is 100x25mm ( Width x Height).
2. RGB flexible neon lights are a type of LED lighting that can display a wide range of colors by utilizing red, green, and blue (RGB) LEDs. With the ability to display millions of colors, these lights can create dynamic and eye-catching effects.
3. The flexibility of these neon lights allows them to be shaped and mounted in various ways, making them suitable for a variety of applications. They are often used for accent lighting, signage, and decorative purposes in both indoor and outdoor settings. Additionally, their energy-efficient design means they consume less power than traditional neon lights.
4. RGB flexible neon lights typically come with a remote control or a programmable controller that allows the user to adjust the color, brightness, and effects of the lighting. Some models also come with sound sensors, which enable the lights to respond to music or ambient noise.
5. Overall, RGB flexible neon lights are a versatile and vibrant lighting solution that can add a colorful and dynamic element to any space or event.

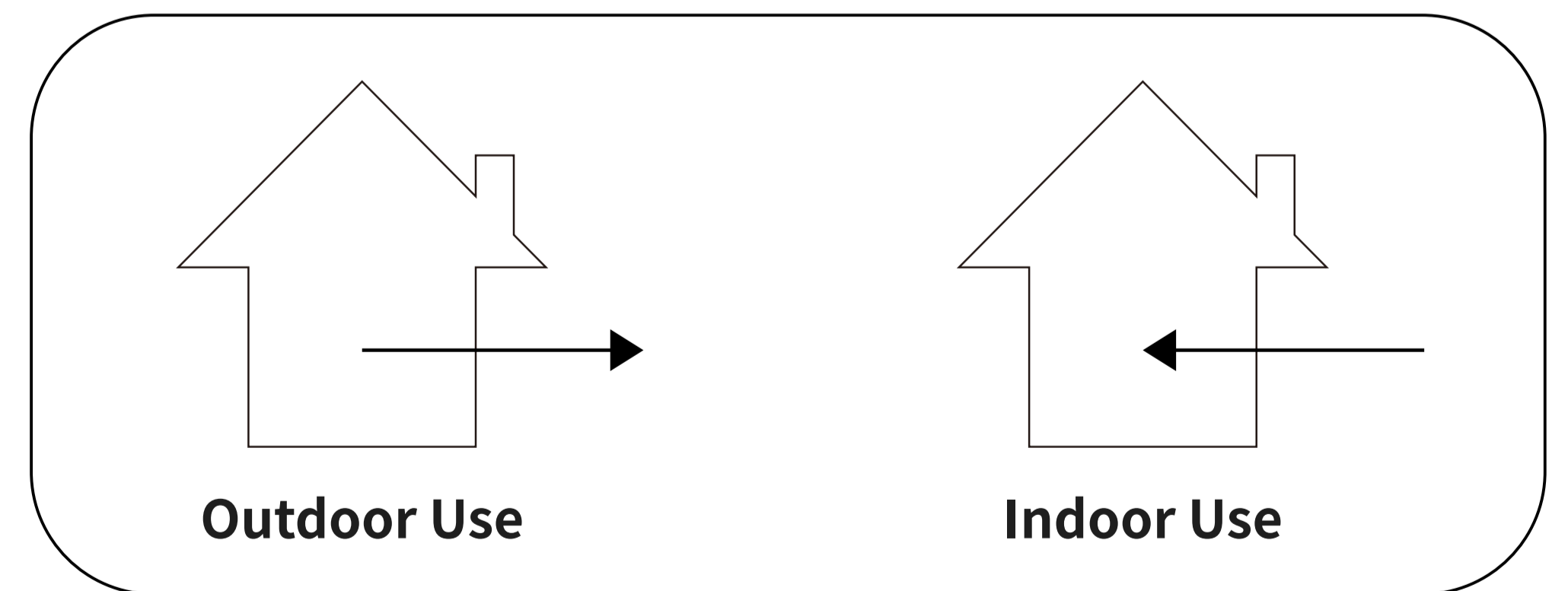
**Wide Color Options**



RGB Color Mixing - Color changing, Fading, Chasing effect

**Recommended Usage Scenarios :**

1. Indoor and outdoor architectural lighting decoration
2. Landscape lighting
3. Advertising signage lighting
4. Stage and theater lighting
5. Car and motorcycle lighting
6. Holiday and event lighting decoration
7. Cove lighting
8. Edge-lit lighting
9. Retail and display lighting
10. Restaurant and bar lighting



Please note that these are only recommended usage scenarios and it is important to consult the product specifications and guidelines before using flexible LED neon light strips in any application.



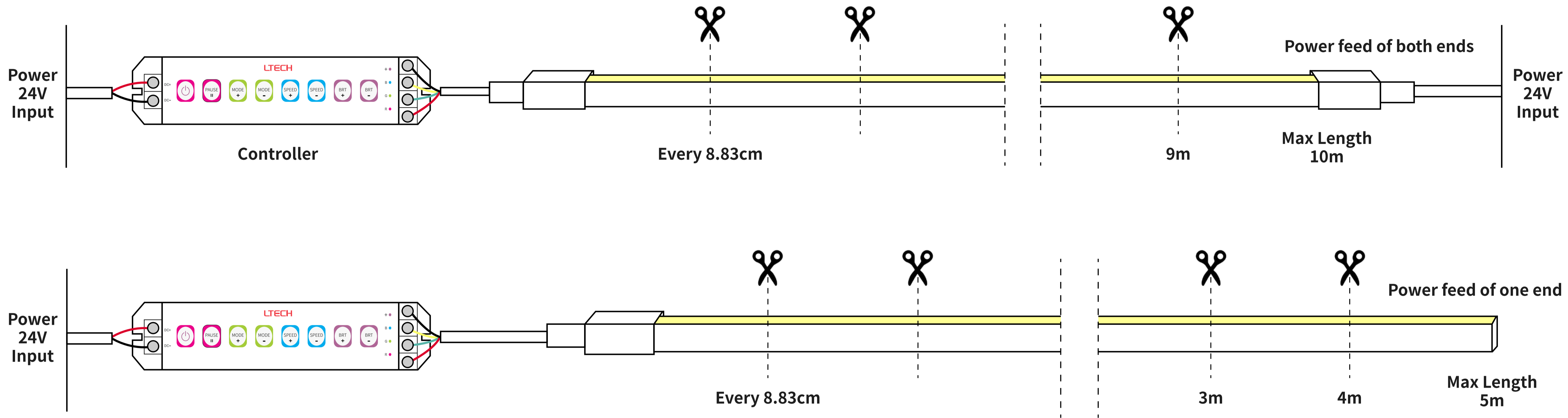
**Package**



Packing Method : box  
 Quantity / Box : 5 meters / reel  
 Gross Weight : 15 Kg ( 33.07LB)  
 Size of outer box : 59.1x 59.1x 27 cm  
 CBM : 0.094m<sup>3</sup> / box

**Mini Cutting Length & Connection Length**

**• Voltage ( 24V)**



**Controller ( PWM compatible controller - 4 wires: 24V+,Red- , Blue- and Green-)**



LT-3600RF  
 LED RGB Controller

**IP65 (DIY Connector)**

**• Voltage ( 24V)**



FRONT CONNECTION



END CONNECTION