



Professional LED Light Manufacturer  
Since 2008

[www.wilgex-led.com](http://www.wilgex-led.com)

(86) 769-28820681

[info@wilgex-led.com](mailto:info@wilgex-led.com)

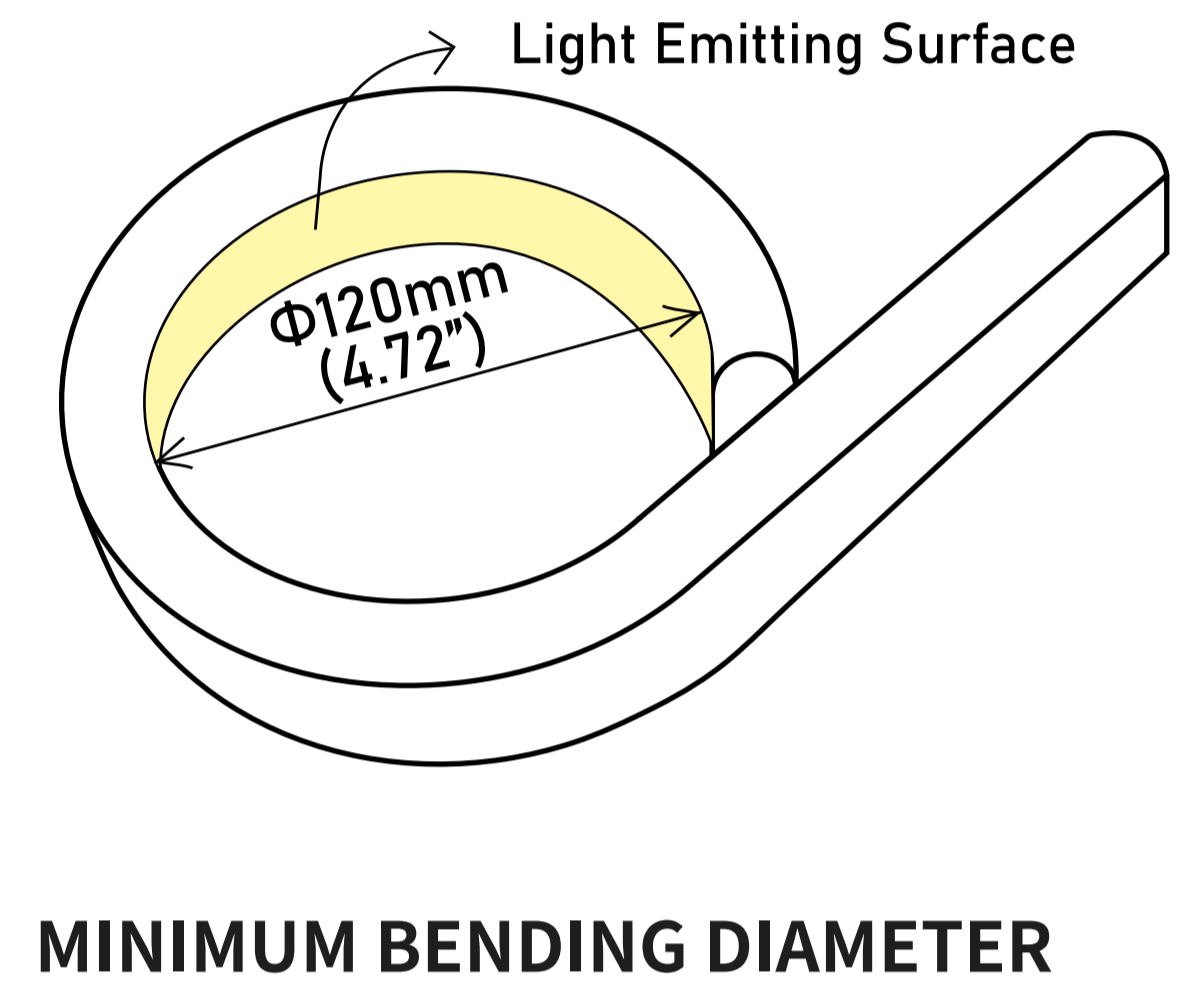
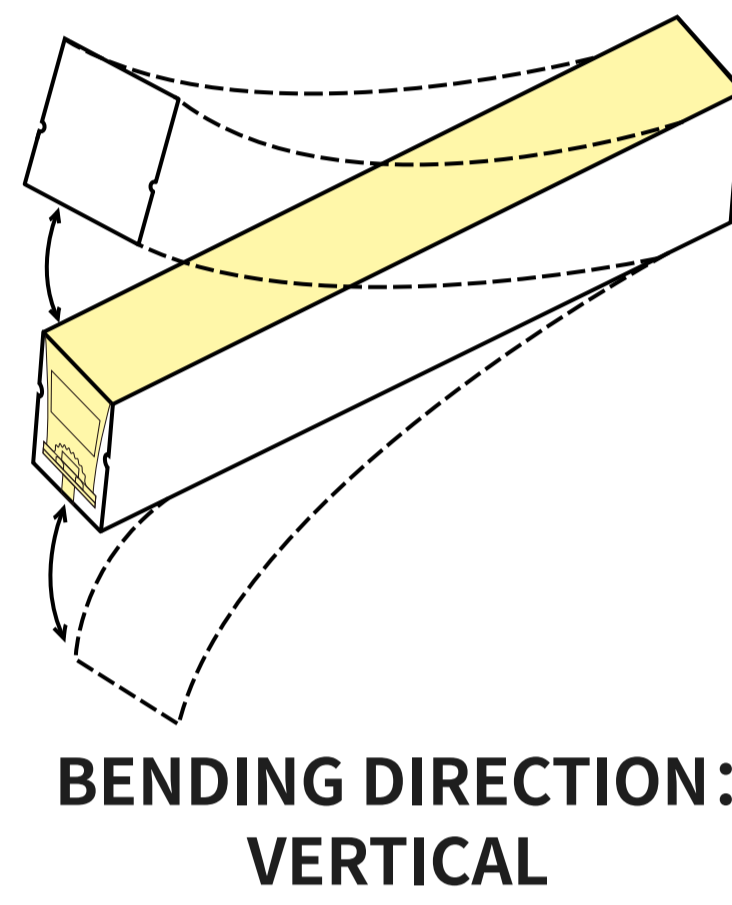
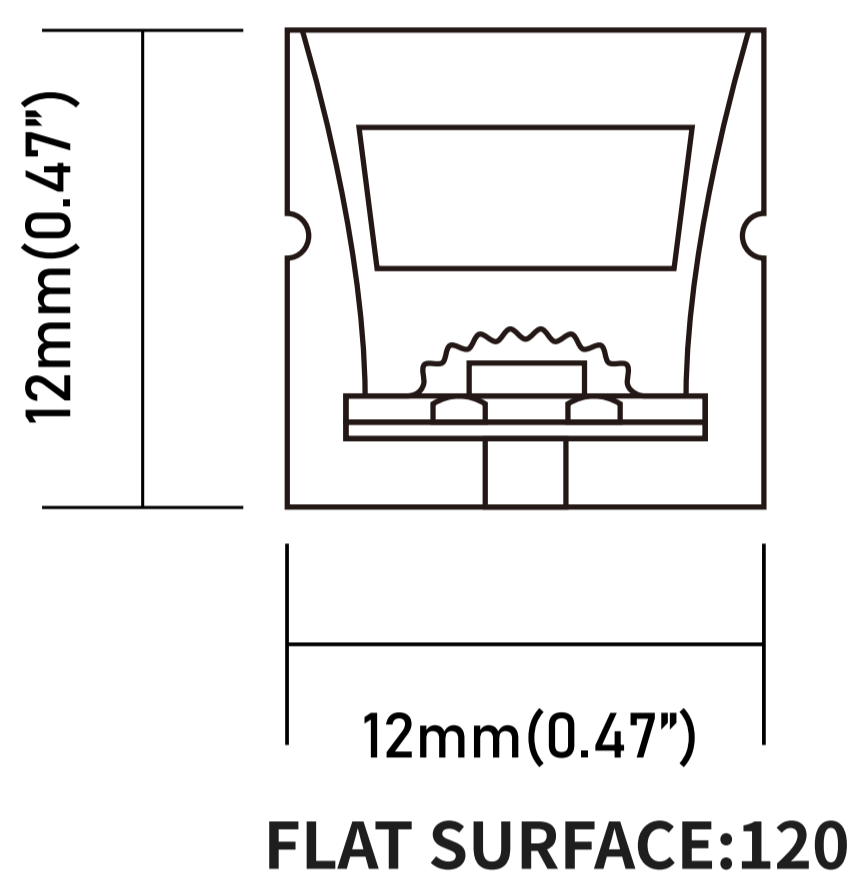
# 12x12mm FLAT

# MONO COLOR 12V/24V

SKU:WJ-SNF-1212-MONO-12V/24V



## Structural Drawing & Bending Direction



## Certifications



## Technical Data

Color temperature : 2200K ● ● ● ● ● 10000K

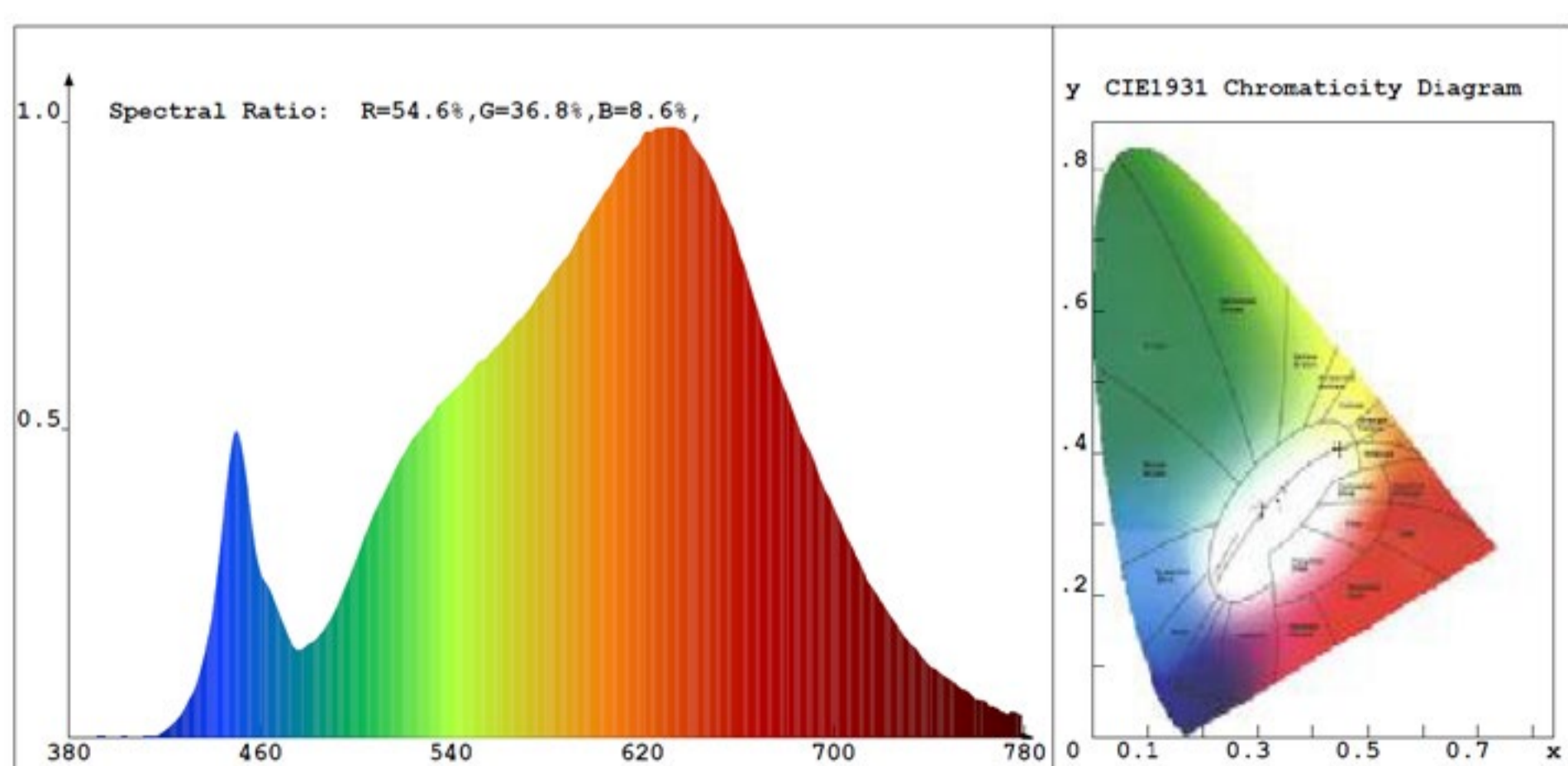
MAX LOADING(12V/24V): 5m

COLOR	CCT/WAVE	LED QUANTITY	UNIT CUT (12V)	UNIT CUT (24V)	WATTS/M (24V FLAT)	LUMEN/M (24V FLAT)
Warm White	2819K/584.9nm	120 LEDs/m	2.5 cm	5cm	8.37 W	431.33 lm
Cool White	8909K/471.9nm	120 LEDs/m	2.5 cm	5cm	8.41 W	409.08 lm
Red	1007K/623.5nm	120 LEDs/m	2.5 cm	5cm	7.78 W	155.79 lm
Green	8057K/526.5nm	120 LEDs/m	2.5 cm	5cm	8.55 W	441.08 lm
Blue	465.0nm	120 LEDs/m	2.5 cm	5cm	8.75 W	61.10 lm
Yellow	1870K/589.0nm	120 LEDs/m	2.5 cm	5cm	8.38 W	500.94 lm
Orange	1085K/604.8nm	120 LEDs/m	2.5 cm	5cm	8.53 W	307.29 lm
Light Pink	1521K/623.9nm	120 LEDs/m	2.5 cm	5cm	8.36 W	398.34 lm
Pink (Violet)	568nm	120 LEDs/m	2.5 cm	5cm	8.03 W	128.07 lm
Purple	452.2nm	120 LEDs/m	2.5 cm	5cm	8.34 W	80.20 lm

## Optical Parameter Chart for Integrating Sphere Testing

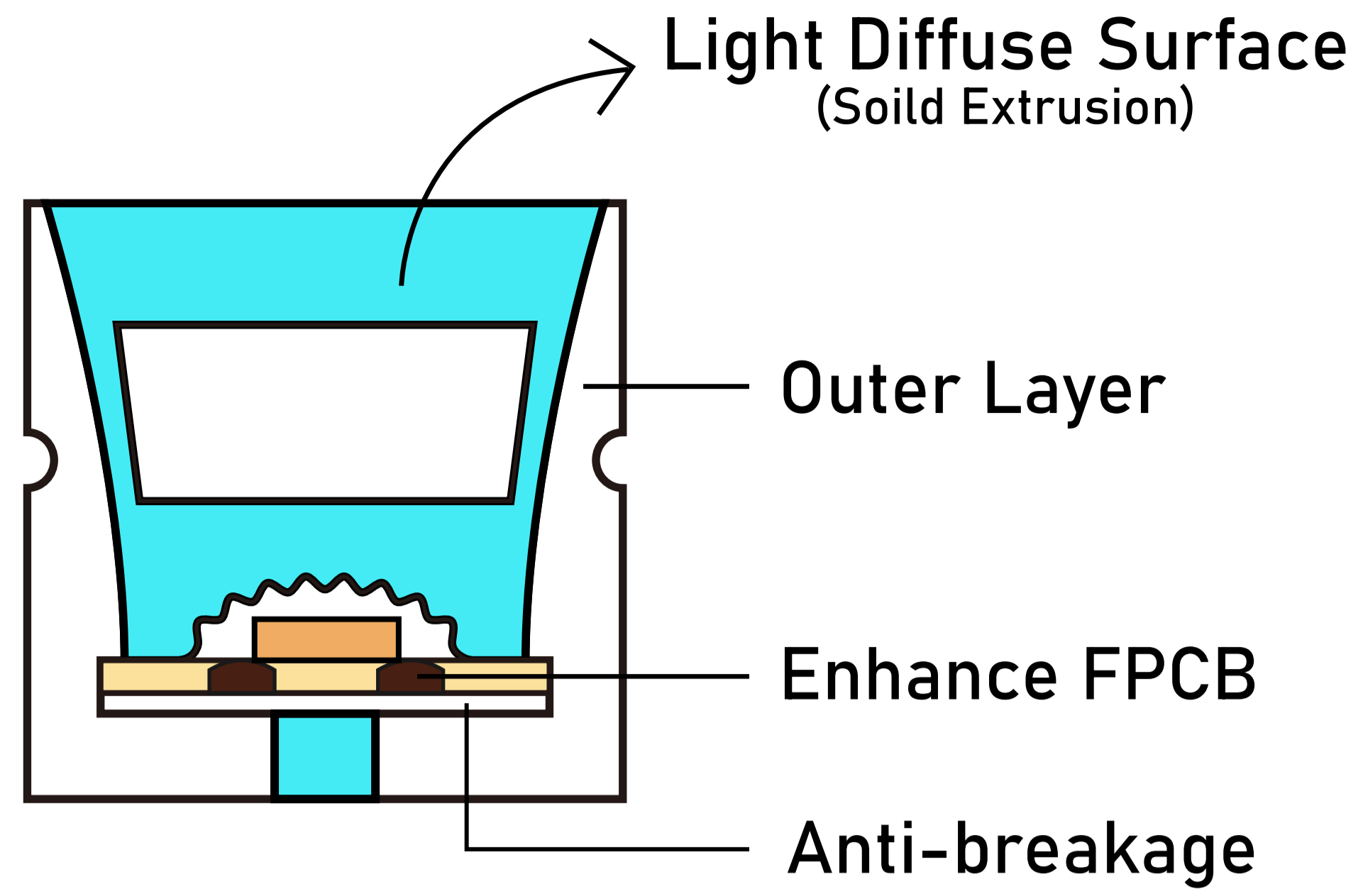
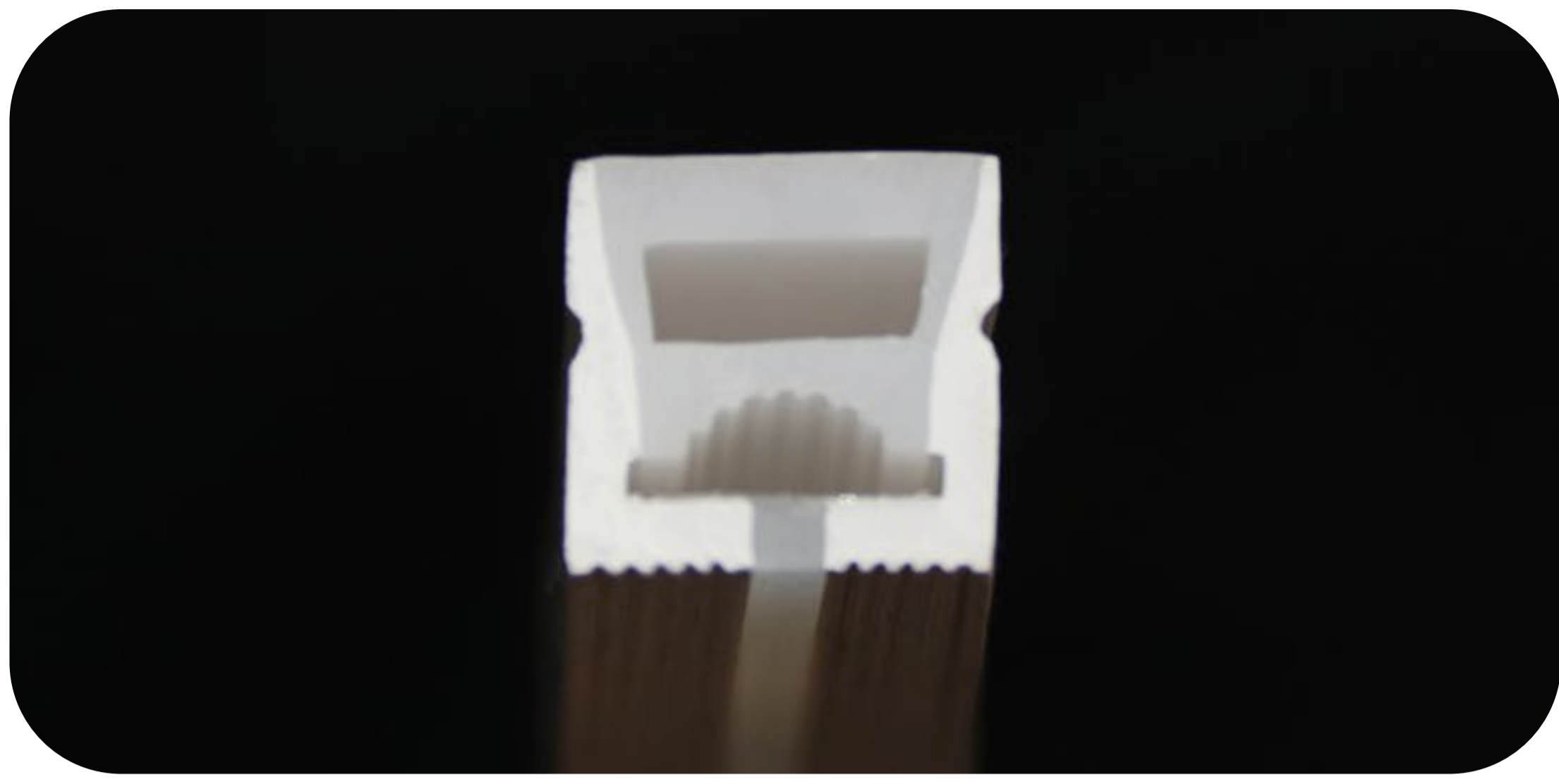
## Reliability test

TEST CATEGORY	TEST ITEMS	STANDARD/VALUE
Optical Test	Spectrum Analysis	IES LM 79(CCT, lumen, CRI, SDCM, XY, wavelength)
	Photometric Distribution	IES LM 79(lumen intensity distribution & Lux diagram)
Temperature Test	Lumen Maintenance & Lifetime	IES LM84 & IES TM 28
	Nomal Temperature Test -25°C	UL 1598 & UL2388 & IEC60598-1 & IEC60598-2-21
	Abnormal Operation Test -70°C	UL 1598 & UL2388 & IEC60598-1 & IEC60598-2-21
Physics Test	Bending Test	Manufacturer-defined, 1000 cycles
	Swing Test	UL2388, >750 cycles
	Tensile Test	Manufacturer-defined, >the weight of light in max. running length by double ends feed
	Twist Test	Manufacturer-defined, 200 cycles
	IK08	IEC62262
	Ball Impact	UL 1598 & UL2388 & IEC60598-1 & IEC60598-2-21
Weathering Test	Swimming Pool Water Immersion Test	GB9667, PH6.8-7.6, free chlorine 0.3-0.6mg/L
	Sea Water Immersion Test	IEC 60598-1, Salinity 4%
	Salt Spray Test	IEC68-2-11
	Outdoor Exposure	Manufacturer-defined
Environment Test	Flame Resistant Test	UL94
	UV Exposure Test	ASTMG154, UVA@340nm
	IPX5 IPX6 IPX7 IPX8	IEC60529
	Temperature Shock Test	Manufacturer-defined, -40°C-60°C(typical temperature range)
	Constant Temperature Test	Manufacturer-defined, 70°C(typical temperature range)

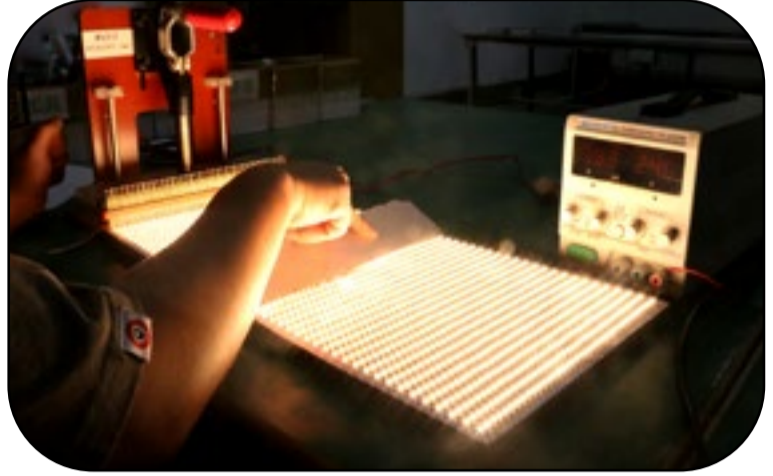


Wilgex specializes in engineering LED flexible neon lights and offers both standard and customized services. If you have specific requirements, please contact our sales department.

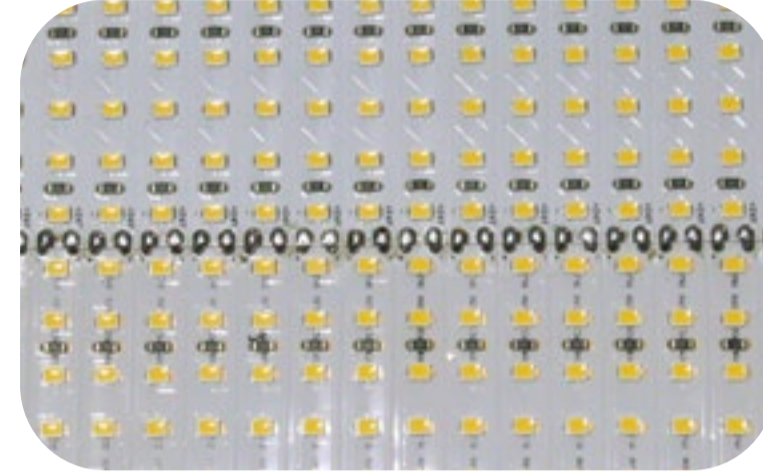
**Four-star quality assurance**



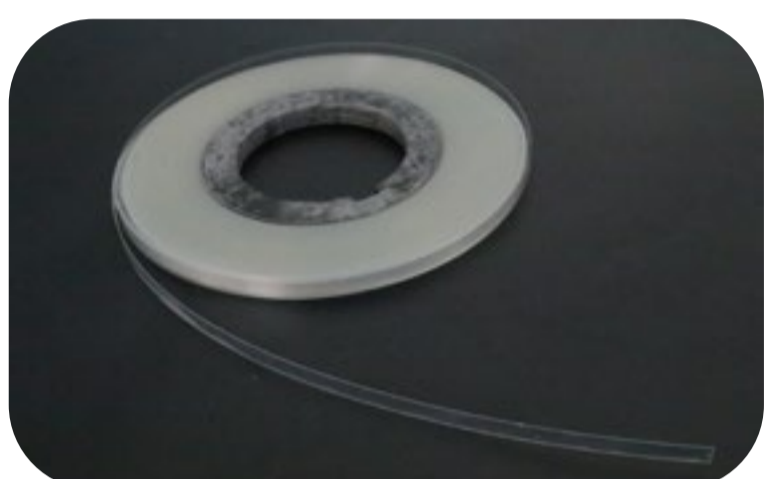
**Unique Design**



★ Enhance thickness FPC design principle



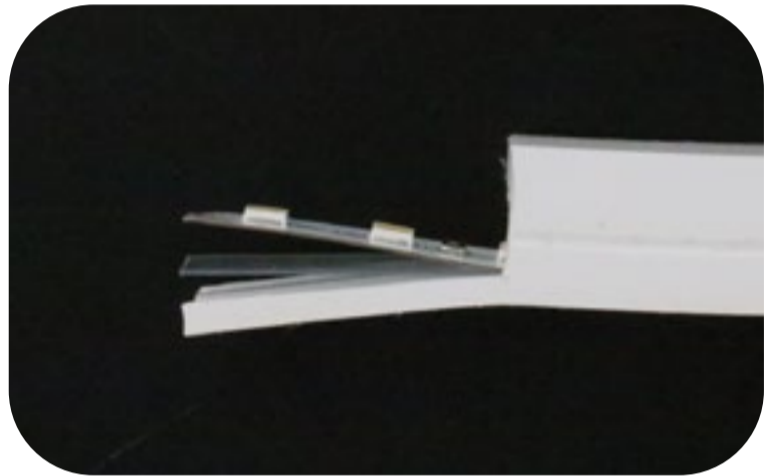
★ LED anti-death design



★ Add a break protection layer



★ Solid extrusion design for exterior



**Features:**

1. Small size: The LED chips have a small size of 12mm x 12mm
2. High-density LED chips: The strips have a high density of LED chips, resulting in a brighter and more uniform light output
3. Flexible and bendable: Can be bent into various shapes and designs
4. Energy-efficient: Uses less power compared to traditional neon lights
5. Long lifespan: Can last up to 50,000 hours
6. Low heat emission: Does not emit as much heat as traditional neon lights
7. Wide color options: Available in a wide range of colors
8. Easy to install: Can be cut and connected to fit any desired length and shape
9. Durable and weather-resistant: Can withstand various weather conditions
10. Safe to use: Low voltage and does not contain hazardous materials like mercury
11. Cost-effective: Offers a cost-effective alternative to traditional neon lights.

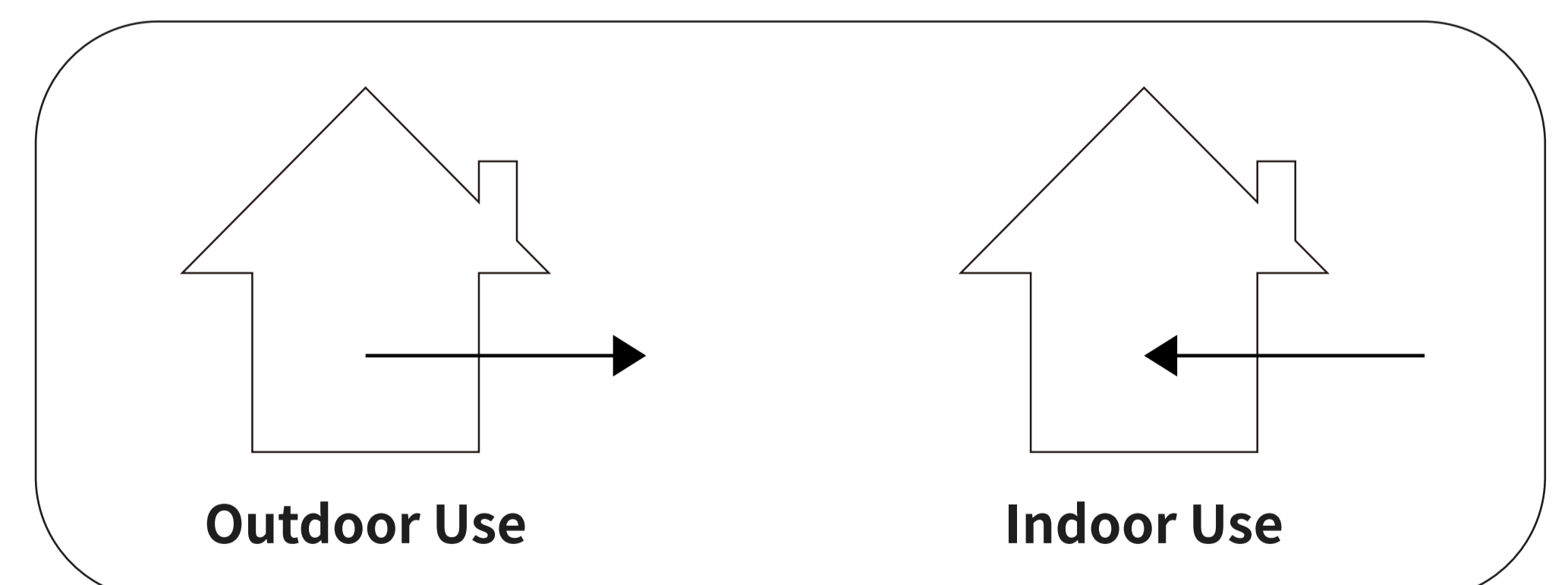
**Wide Color Options**



All colors   Cool White   Warm White   Blue   Red   Green   Yellow   Orange   Light Pink   Pink (Violet)   Purple

**Recommended Usage Scenarios :**

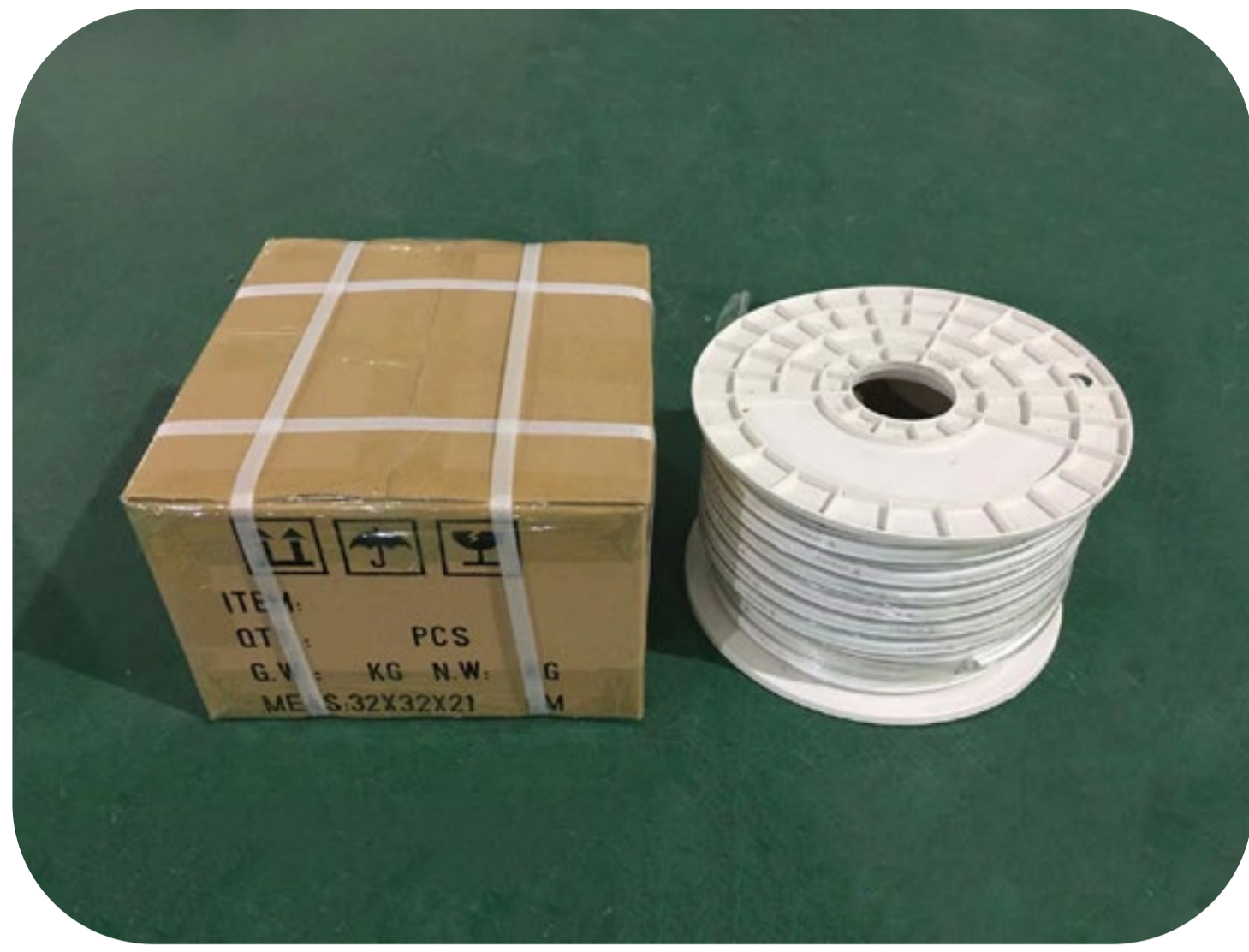
1. Indoor and outdoor architectural lighting decoration
2. Landscape lighting
3. Advertising signage lighting
4. Stage and theater lighting
5. Car and motorcycle lighting
6. Holiday and event lighting decoration
7. Cove lighting
8. Edge-lit lighting
9. Retail and display lighting
10. Restaurant and bar lighting



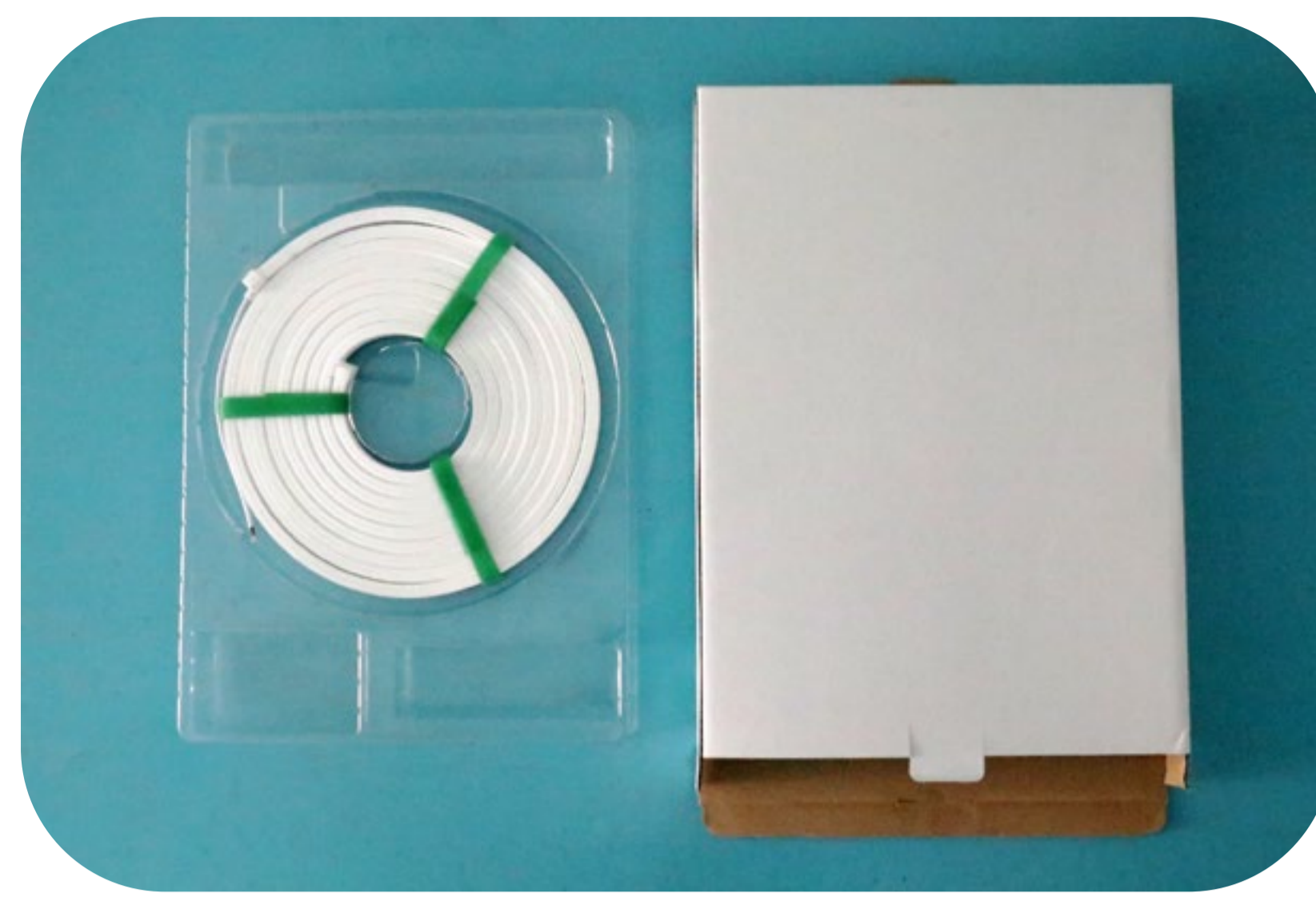
Please note that these are only recommended usage scenarios and it is important to consult the product specifications and guidelines before using flexible LED neon light strips in any application.



**Package**



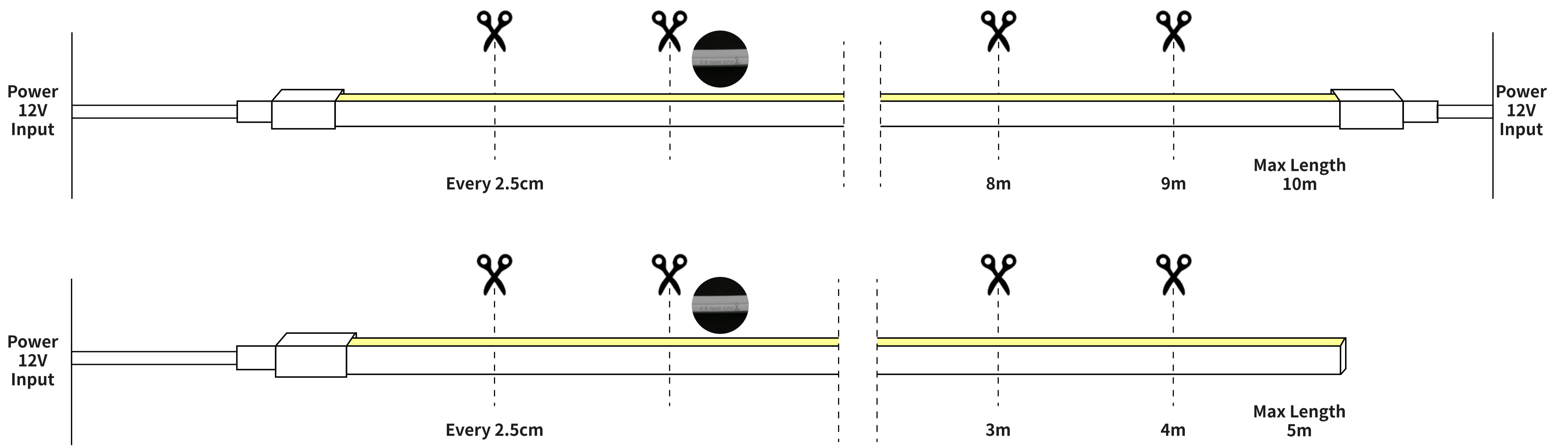
Packing Method : Reel + boardcards  
 Quantity / Box : 50 meters / reel  
 Gross Weight : 16.33Kg (36 LB)  
 Size of outer box : 32 x 32 x 21cm  
 CBM : 0.022 m<sup>3</sup> / box



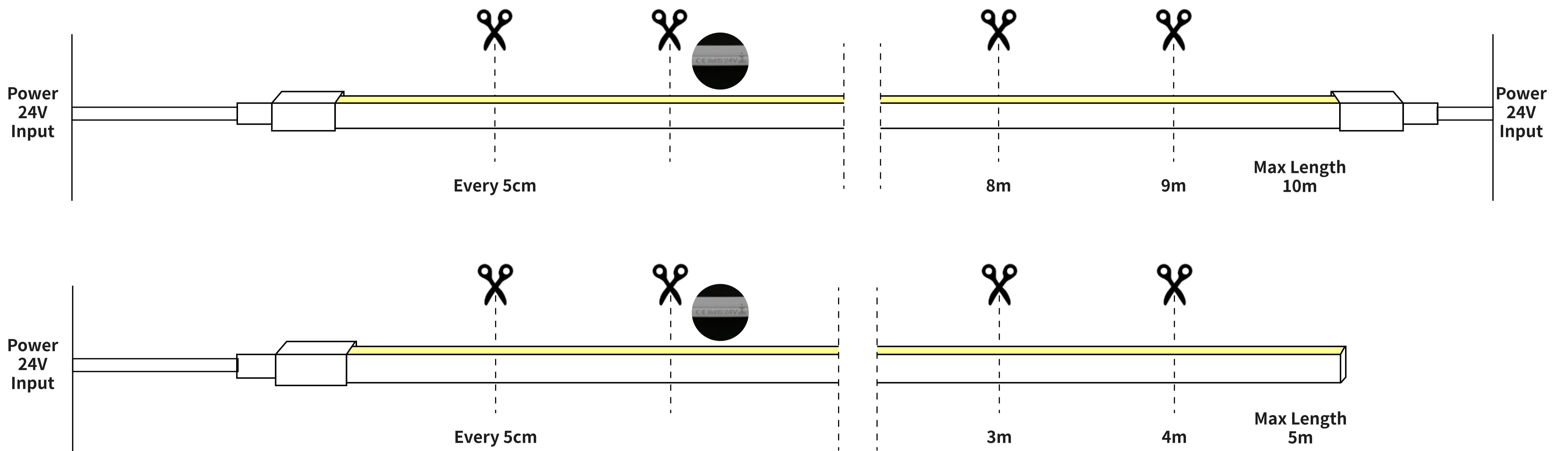
Packing Method : Blister + White box  
 Quantity / Box : 5 meters / reel  
 Gross Weight : 1.63Kg (3.59LB)  
 Size of outer box : 46.2 x 33 x 4cm  
 CBM : 0.006 m<sup>3</sup> / box

**Mini Cutting Length & Connection Length**

**• Low Voltage (12V)**



**• Low Voltage (24V)**



**IP65 (DIY Connector)**

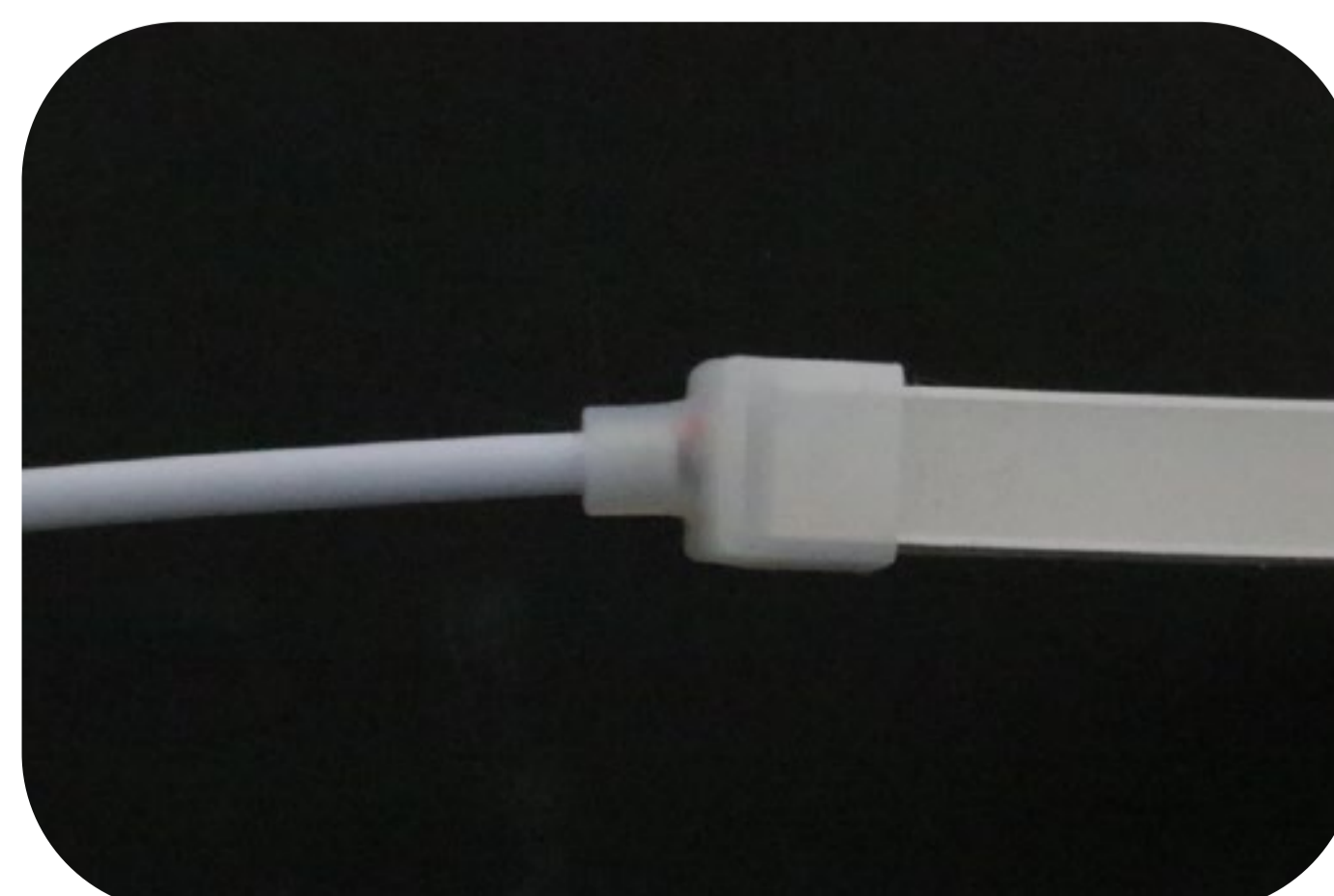
**• Voltage (12V / 24V)**



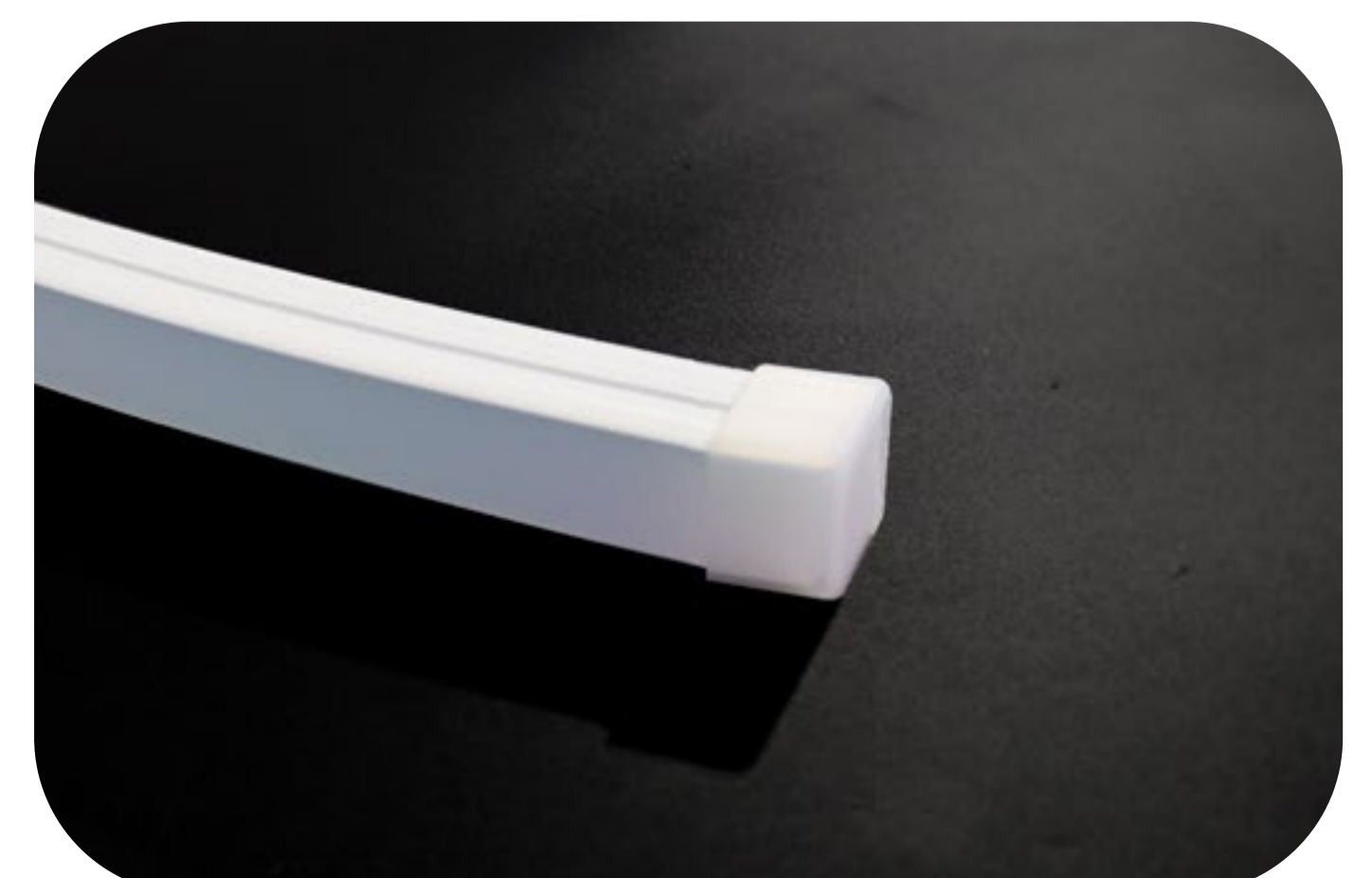
**BOTTOM EXIT**



**SIDE EXIT**

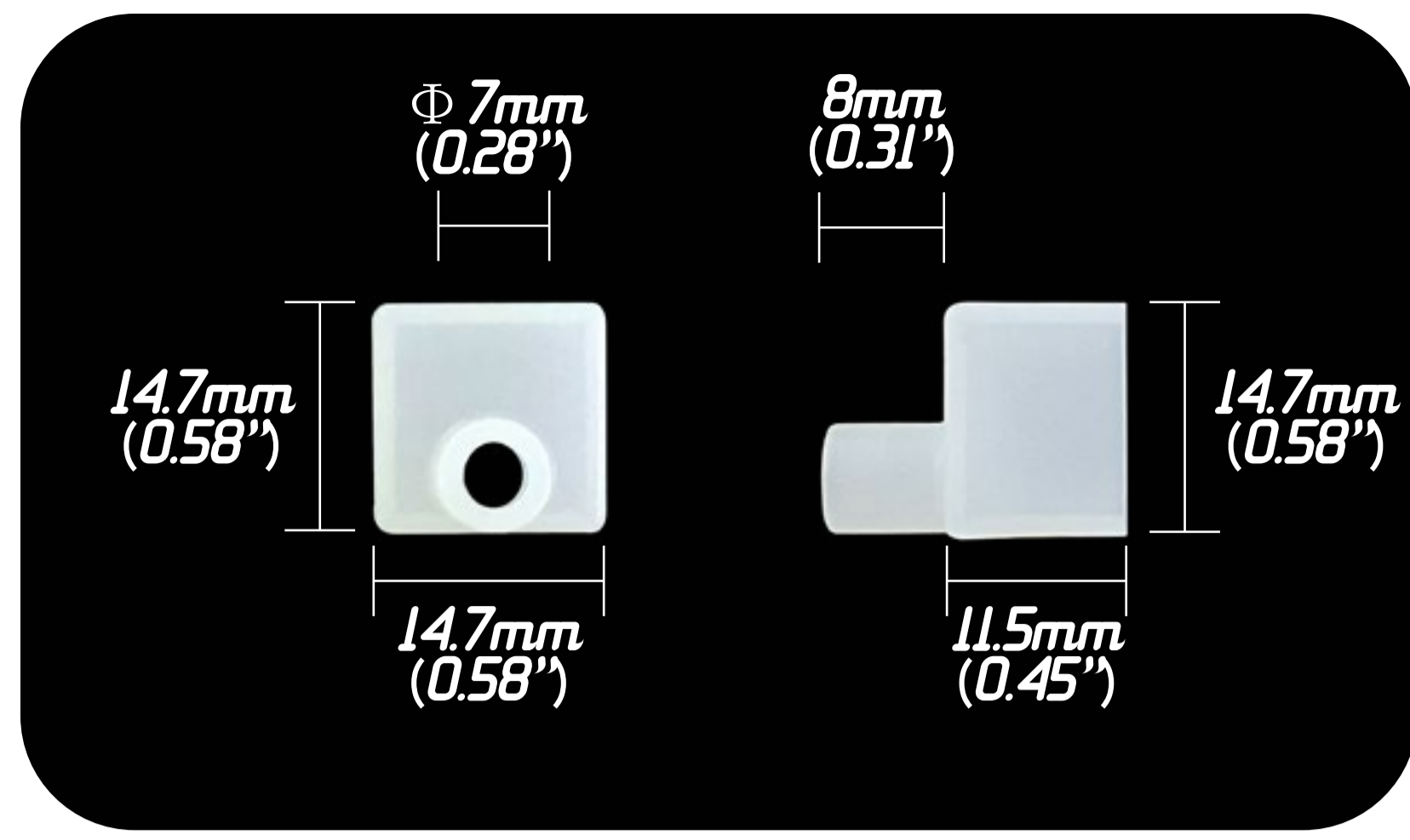


**STRAIGHT EXIT**

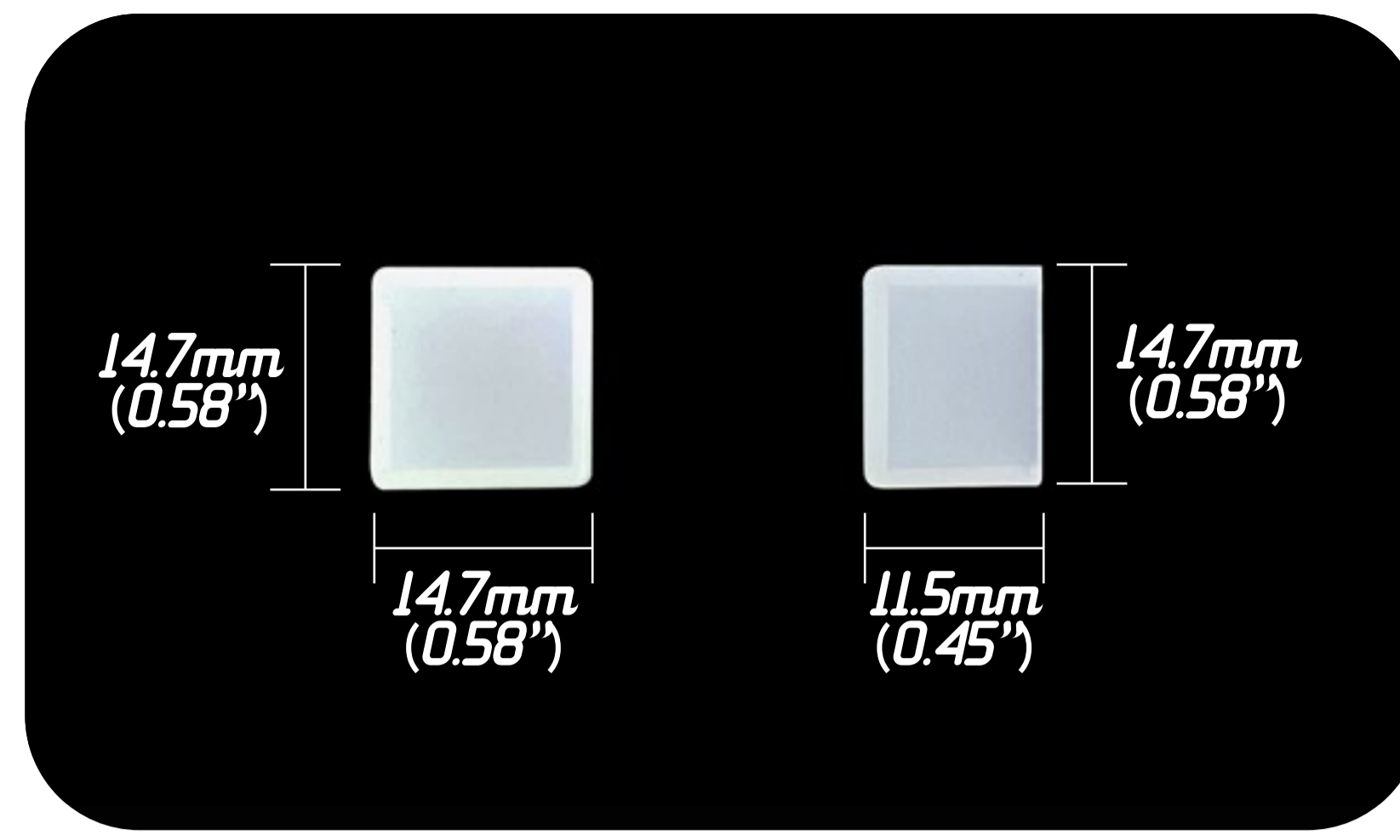


**END CAP**

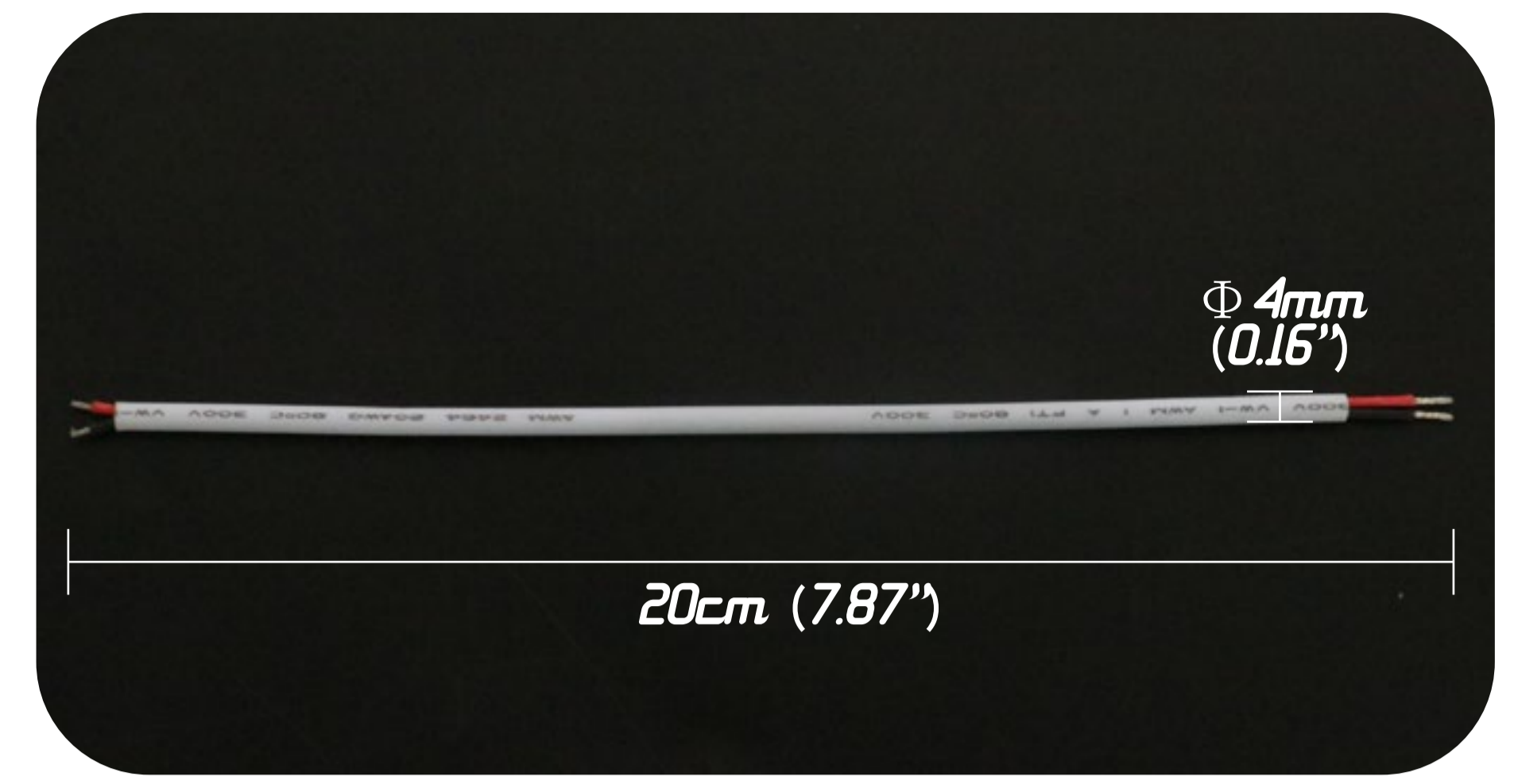
• Part Details



FRONT CONNECTION FITTING

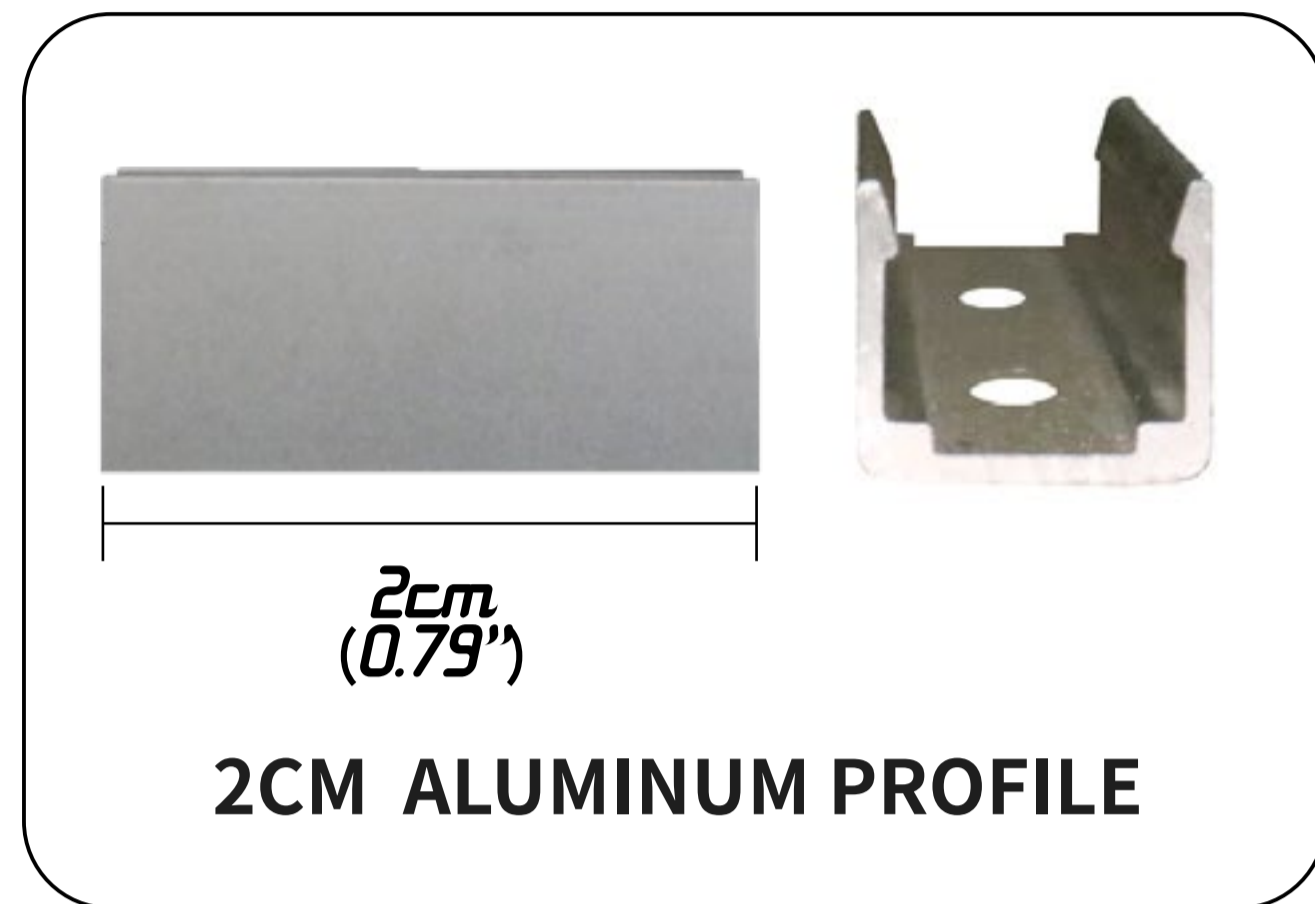


TAIL FITTING



SILICONE POWER WIRE ( 2 CORDS)

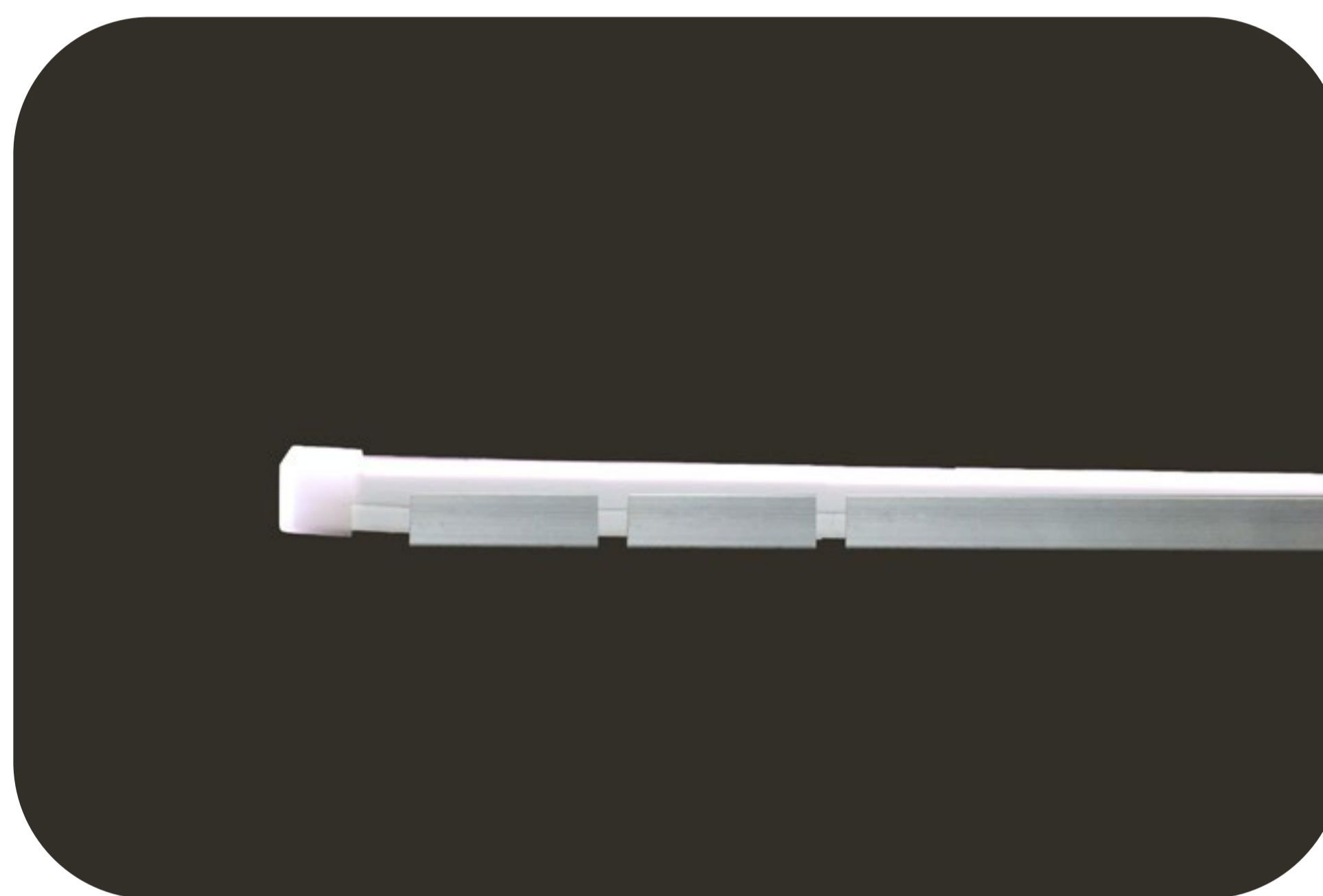
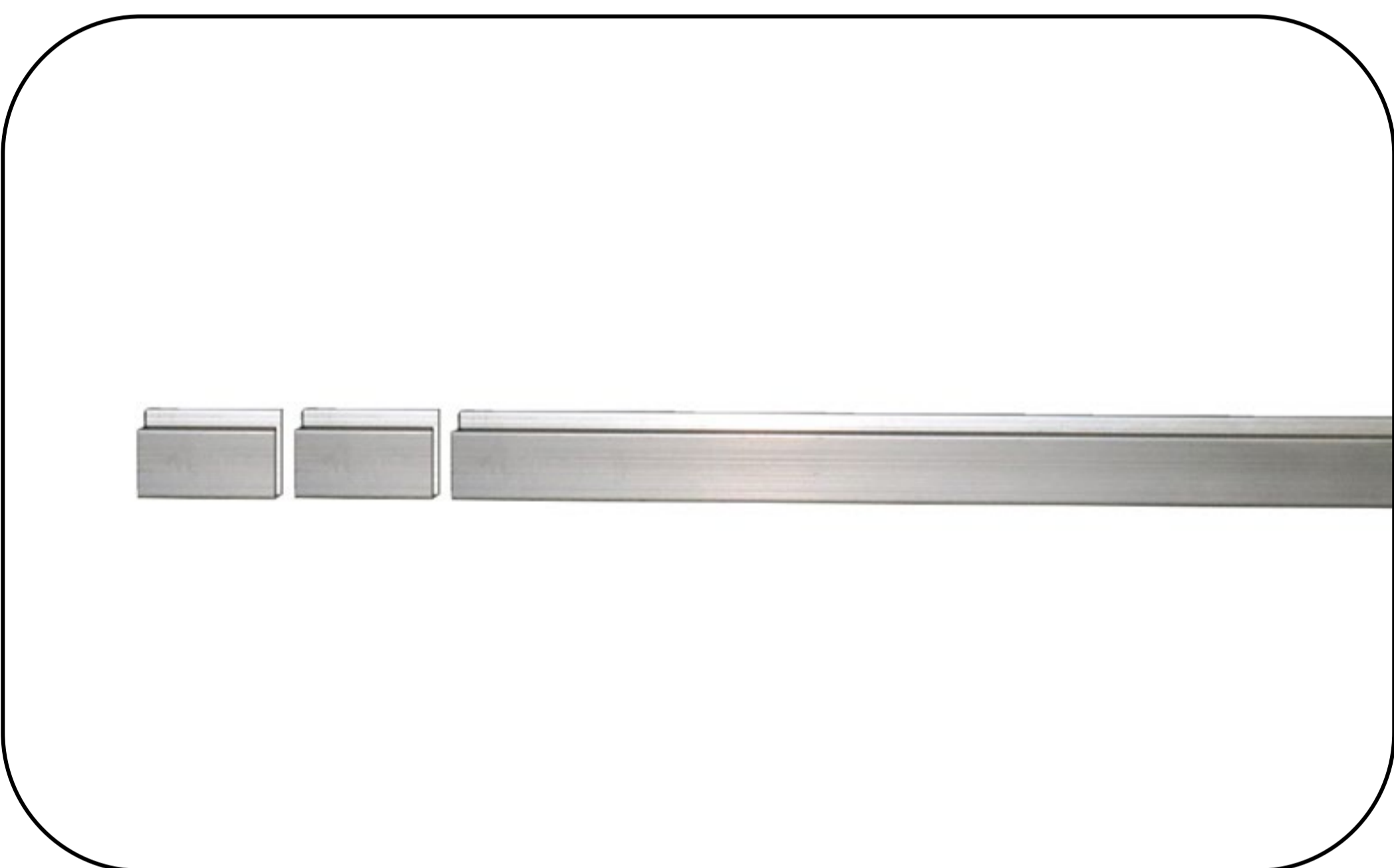
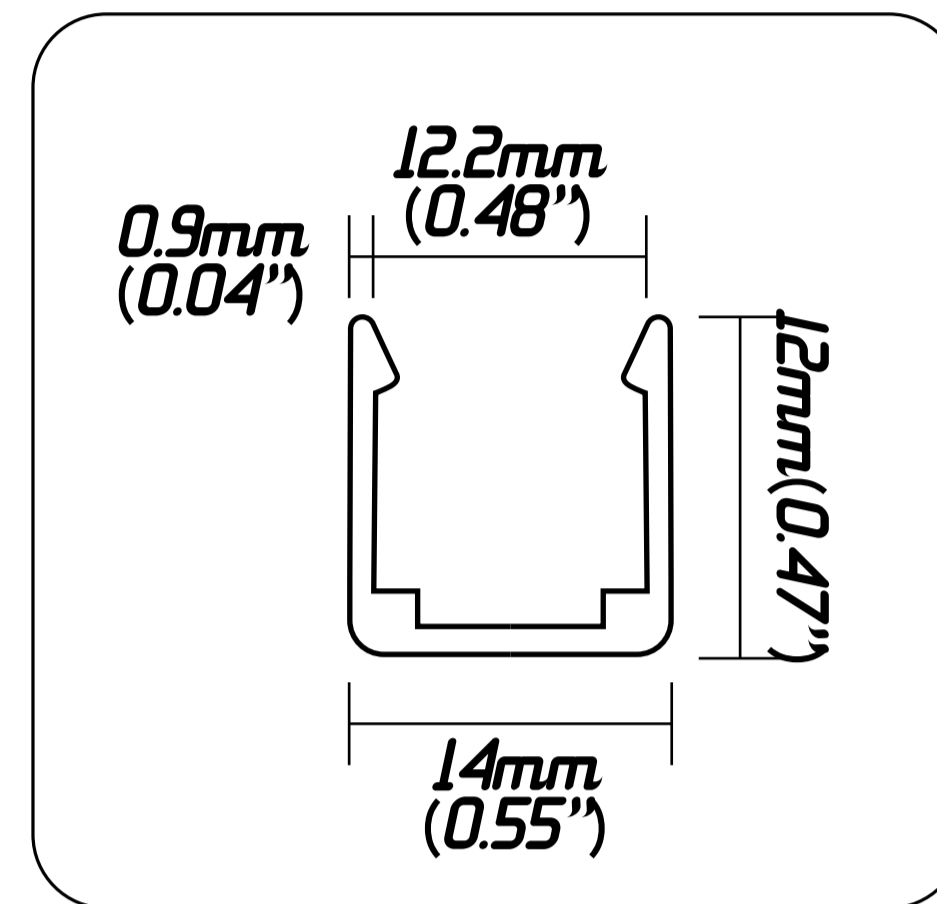
Mounting Aluminum Channel



2CM ALUMINUM PROFILE



ALUMINUM CHANNEL (1M)



Mounting Flexible Stainless Channel

