



Professional LED Light Manufacturer
Since 2008

www.wilgex-led.com

(86) 769-28820681

info@wilgex-led.com

10x10mm

THREE SIDES/FLAT

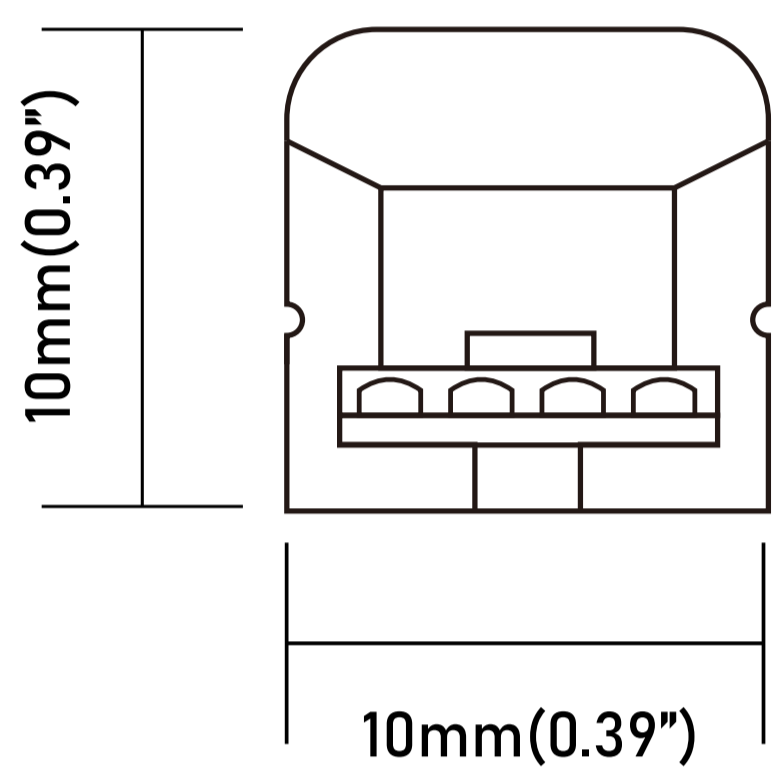
LED NEON FLEX

RGB COLOR
24V

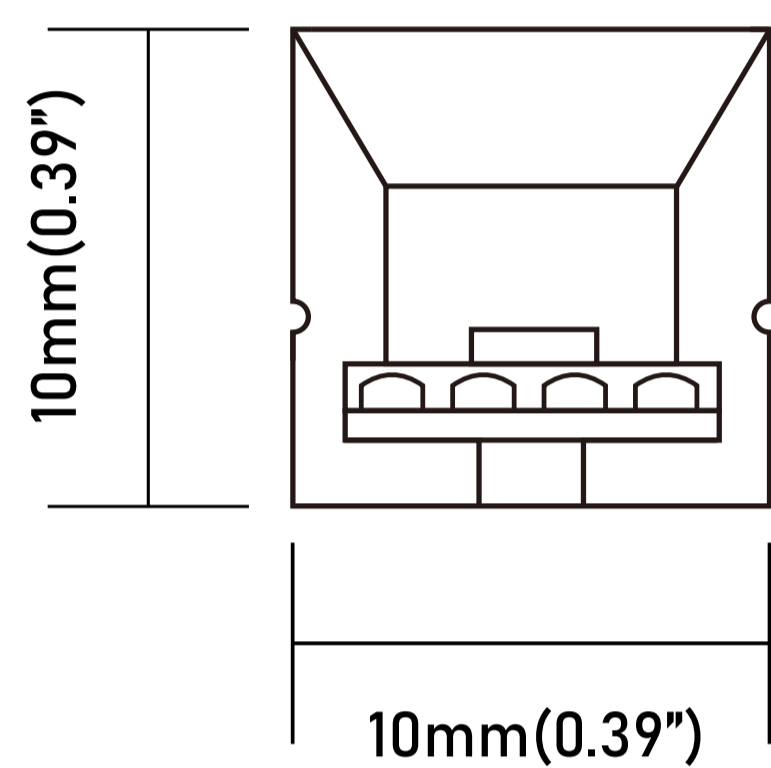
SKU:WJ-SNF-1010-RGB -24V



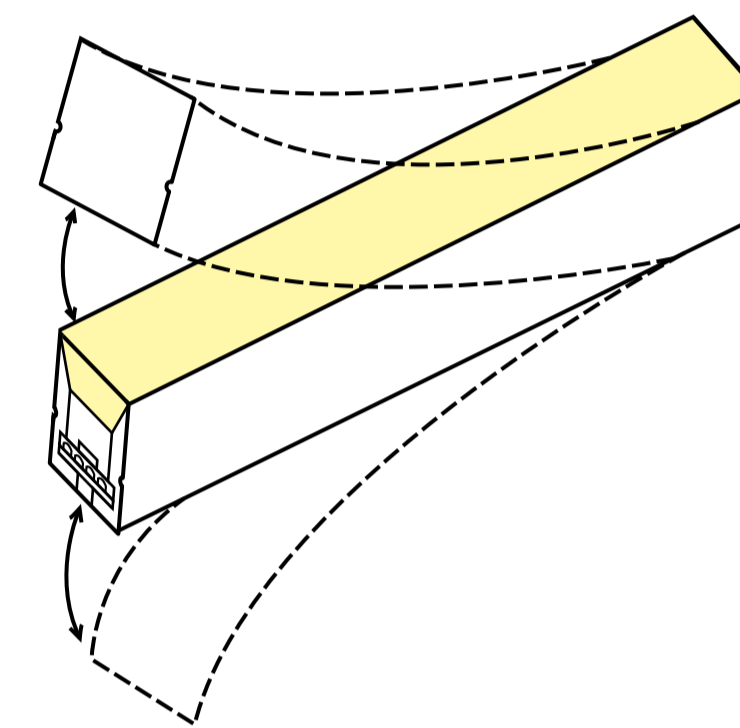
Structural Drawing & Bending Direction



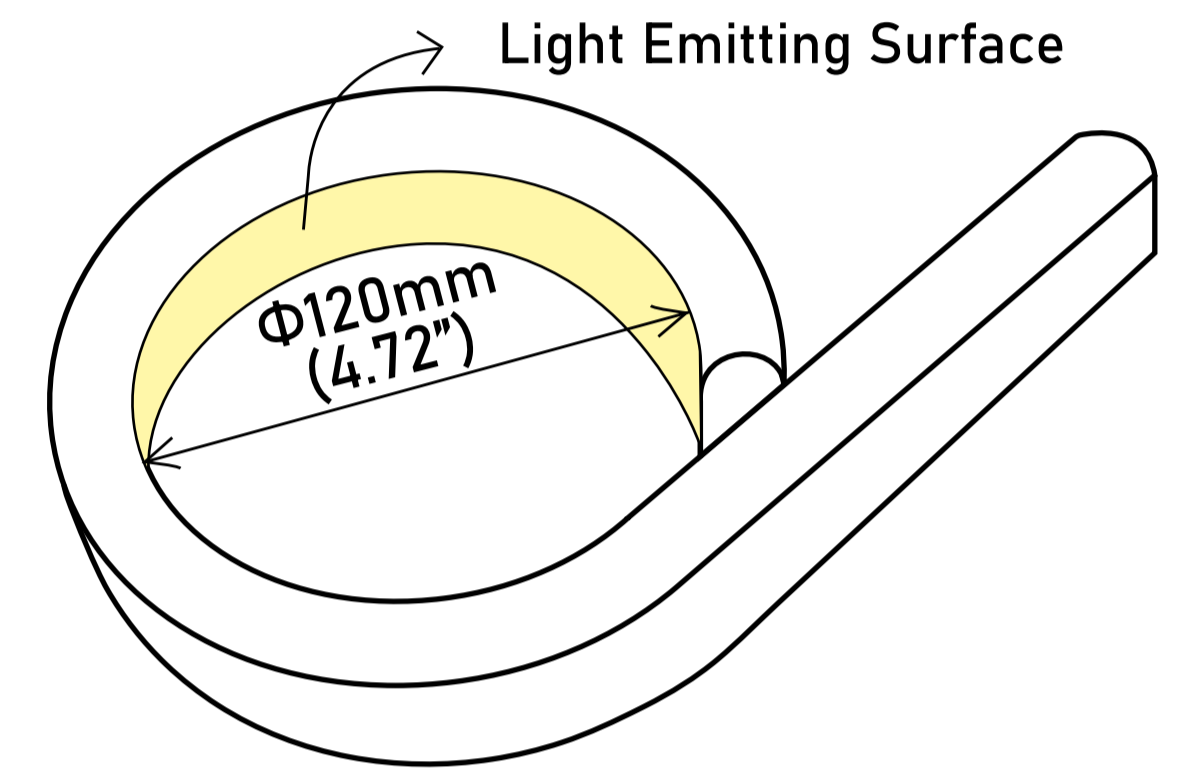
THREE SIDES



FLAT SURFACE:120

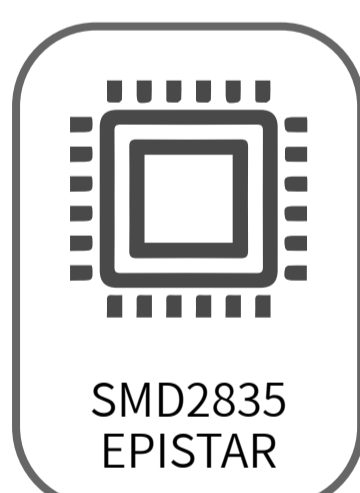
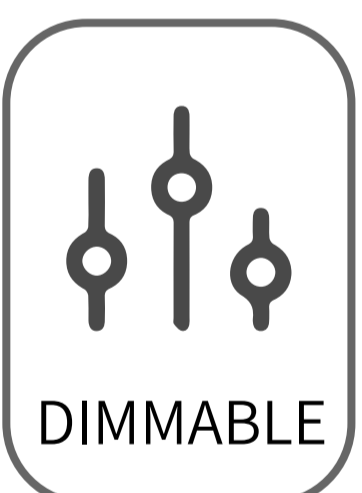
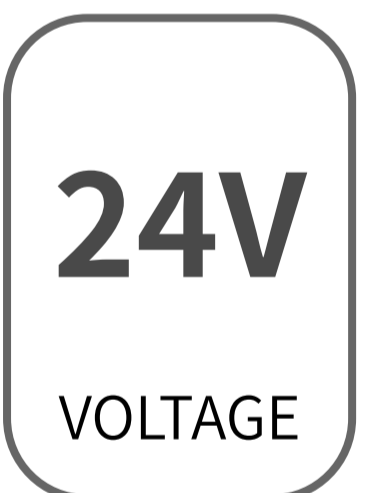
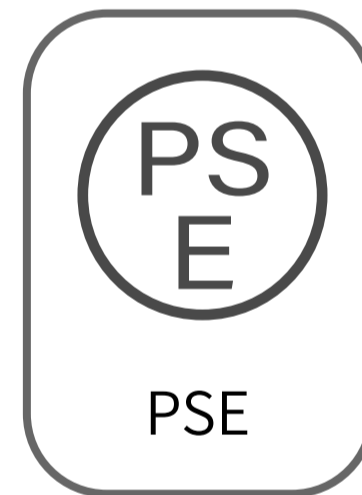
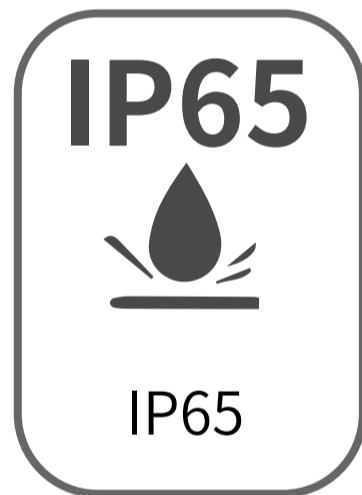
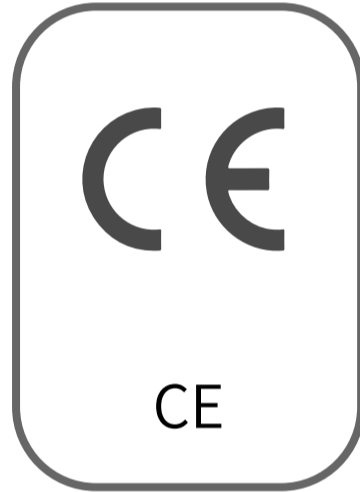


BENDING DIRECTION:
VERTICAL



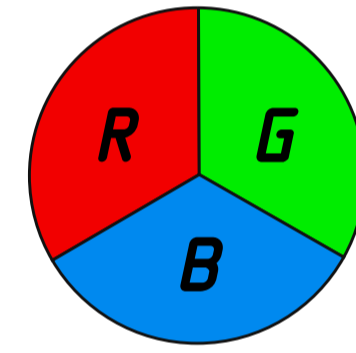
MINIMUM BENDING DIAMETER

Certifications



Technical Data

PWM-RGB



| | |
|----------------------------|---|
| Color Temp | Red:622.9nm Green:520.0nm Blue:468.5nm White:6500K(Color mixing) |
| Lumen/m (24V Flat) | Red:96.95 lm Green:268.96 lm Blue:40.50 lm White:359.85 lm(Color mixing) |
| LED Quantity(m) | 108 LEDs |

| | |
|---------------------------|--|
| Watts/m(24V Flat) | Red:6.53 W Green:6.50 W Blue:6.15 W White:18.53 W(Color mixing) |
| Unit Cut(24V) | 5.56cm |
| Max Loading(24V) | 5m |

Optical Parameter Chart for Integrating Sphere Testing

Chroma Parameters
Chro.Coor.: x=0.2131 y=0.2594 u=0.1499 v=0.2737 duv=0.0317
CCT: Tc=50000K Dominant Wave.: 484.3nm Purity: 46.8%
Flux Ratio: R=16.0%,G=72.7%,B=11.3% Peak Wave.: 464.3nm Half Width: 21.2nm

Bending Index: Ra= 60.6
R1 =65.9 R2 =62.1 R3 =59.0 R4 =76.4 R5 =80.3 R6 =57.7 R7 =54.0
R8 =29.8 R9 =-134.9R10=5.9 R11=71.4 R12=62.1 R13=52.9 R14=73.5
R15=44.0

Photo Parameters
Flux: 360.091m Effi.: 19.41m/W Radiant: 1833.4mW Iv: 0.0mcd

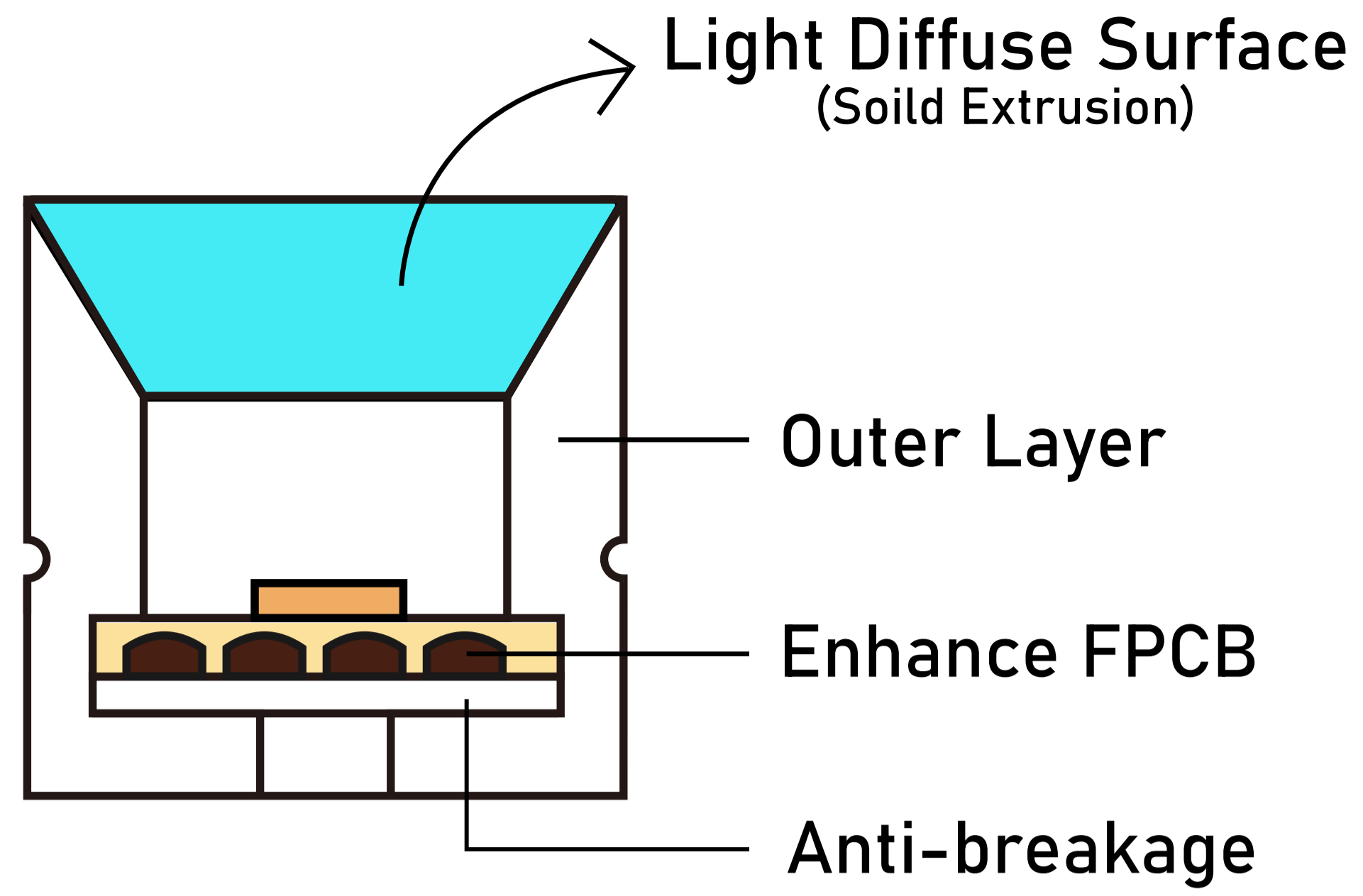
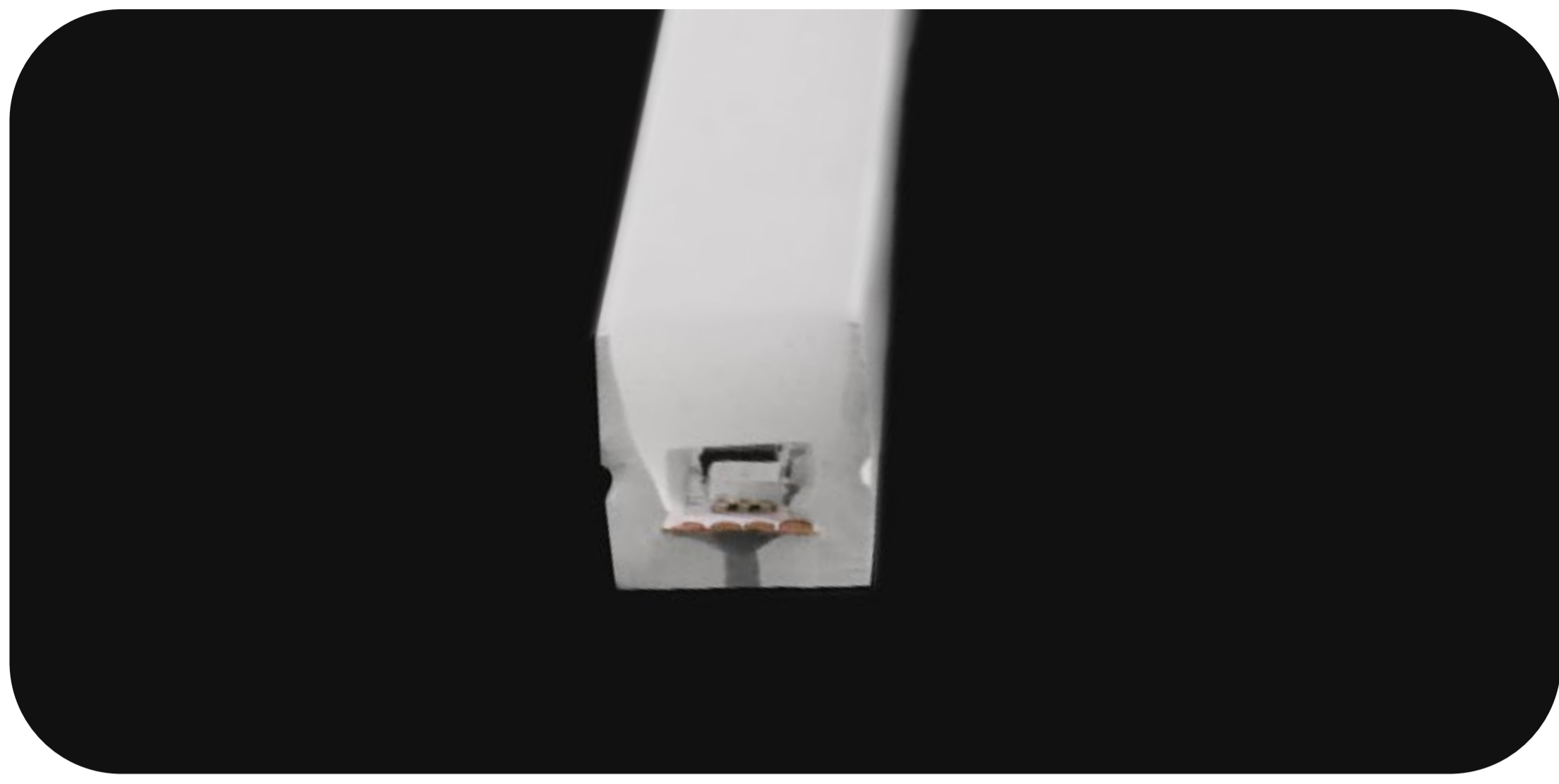
Ele. Parameters
Voltage:U=24.000V Current:I=0.7700A
Power:P=18.51W Power Factor:PF=1.000

Reliability test

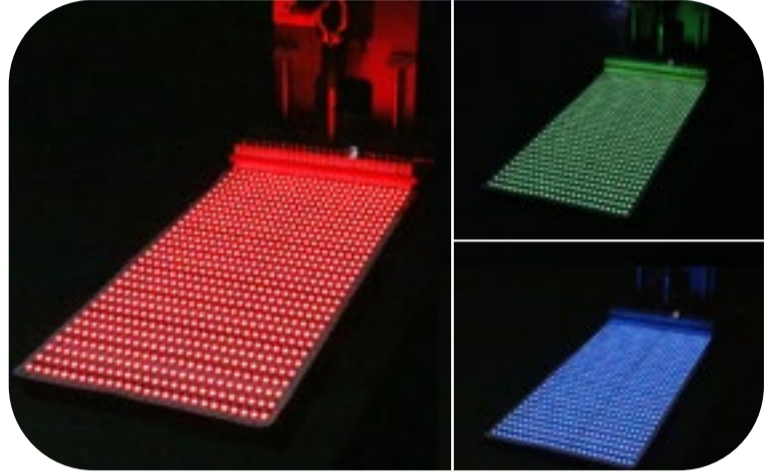
| TEST CATEGORY | TEST ITEMS | STANDARD/VALUE |
|---------------------------|---|---|
| Optical Test | Spectrum Analysis | IES LM 79(CCT, lumen, CRI, SDCM, XY, wavelength) |
| | Photometric Distribution | IES LM 79(lumen intensity distribution & Lux diagram) |
| | Lumen Maintenance & Lifetime | IES LM84 & IES TM 28 |
| Temperature Test | Nomal Temperature Test -25°C | UL 1598 & UL2388 & IEC60598-1 & IEC60598-2-21 |
| | Abnormal Operation Test -70°C | UL 1598 & UL2388 & IEC60598-1 & IEC60598-2-21 |
| Physics Test | Bending Test | Manufacturer-defined, 1000 cycles |
| | Swing Test | UL2388, >750 cycles |
| | Tensile Test | Manufacturer-defined, >the weight of light in max. running length by double ends feed |
| | Twist Test | Manufacturer-defined, 200 cycles |
| | IK08 | IEC62262 |
| Weathering Test | Ball Impact | UL 1598 & UL2388 & IEC60598-1 & IEC60598-2-21 |
| | Swimming Pool Water Immersion Test | GB9667, PH6.8-7.6, free chlorine 0.3-0.6mg/L |
| | Sea Water Immersion Test | IEC 60598-1, Salinity 4% |
| | Salt Spray Test | IEC68-2-11 |
| Environment Test | Outdoor Exposure | Manufacturer-defined |
| | Flame Resistant Test | UL94 |
| | UV Exposure Test | ASTMG154, UVA@340nm |
| | IPX5 IPX6 IPX7 IPX8 | IEC60529 |
| | Temperature Shock Test | Manufacturer-defined, -40°C-60°C(typical temperature range) |
| Constant Temperature Test | Manufacturer-defined, 70°C(typical temperature range) | |

Wilgex specializes in engineering LED flexible neon lights and offers both standard and customized services. If you have specific requirements, please contact our sales department.

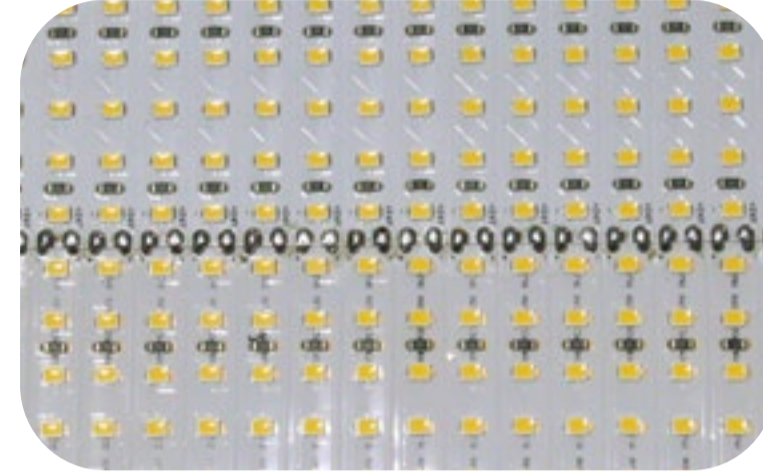
Four-star quality assurance



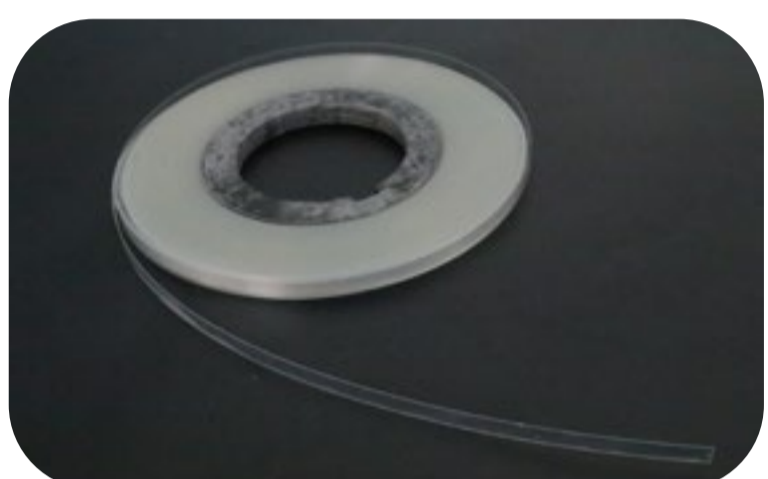
Unique Design



★ Enhance thickness FPC design principle



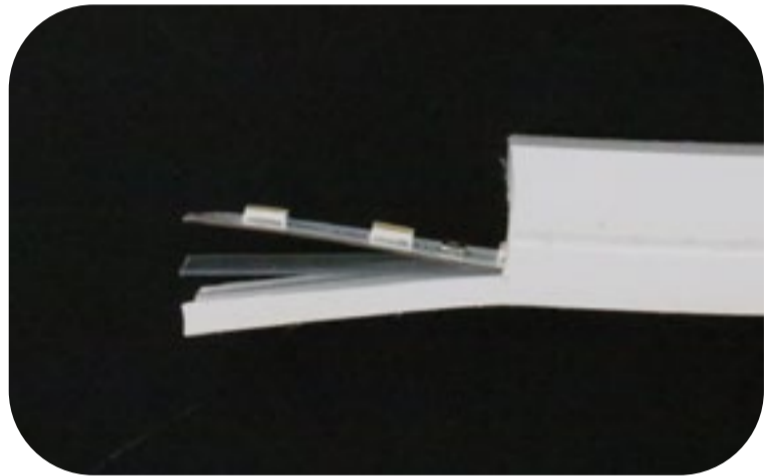
★ LED anti-death design



★ Add a break protection layer



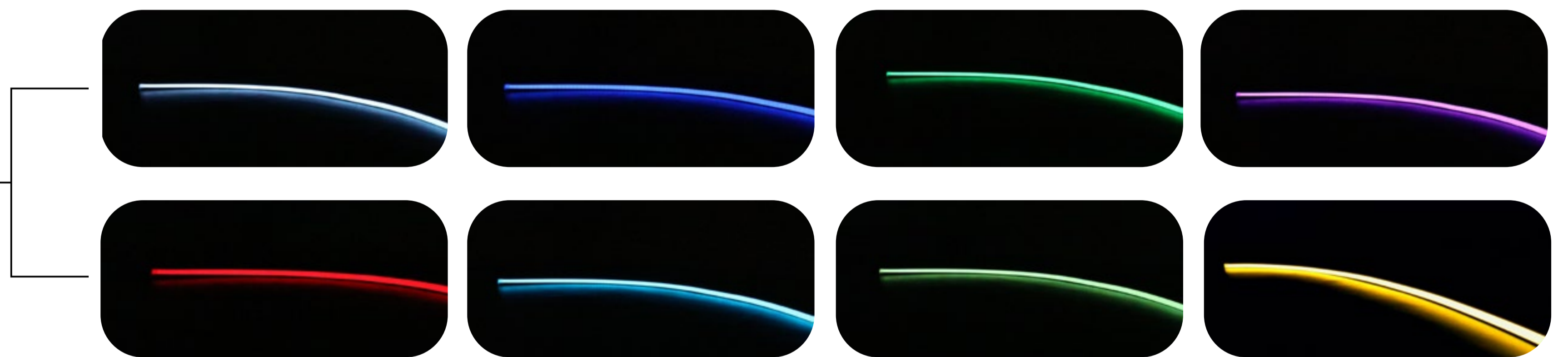
★ Solid extrusion design for exterior



Features:

1. Ultra-thin: The thickness of the strip is only 10mm
2. Small size: The LED chips have a small size of 10mm x 10mm
3. RGB flexible neon lights are a type of LED lighting that can display a wide range of colors by utilizing red, green, and blue (RGB) LEDs. With the ability to display millions of colors, these lights can create dynamic and eye-catching effects.
4. The flexibility of these neon lights allows them to be shaped and mounted in various ways, making them suitable for a variety of applications. They are often used for accent lighting, signage, and decorative purposes in both indoor and outdoor settings. Additionally, their energy-efficient design means they consume less power than traditional neon lights.
5. RGB flexible neon lights typically come with a remote control or a programmable controller that allows the user to adjust the color, brightness, and effects of the lighting. Some models also come with sound sensors, which enable the lights to respond to music or ambient noise.
6. Overall, RGB flexible neon lights are a versatile and vibrant lighting solution that can add a colorful and dynamic element to any space or event.

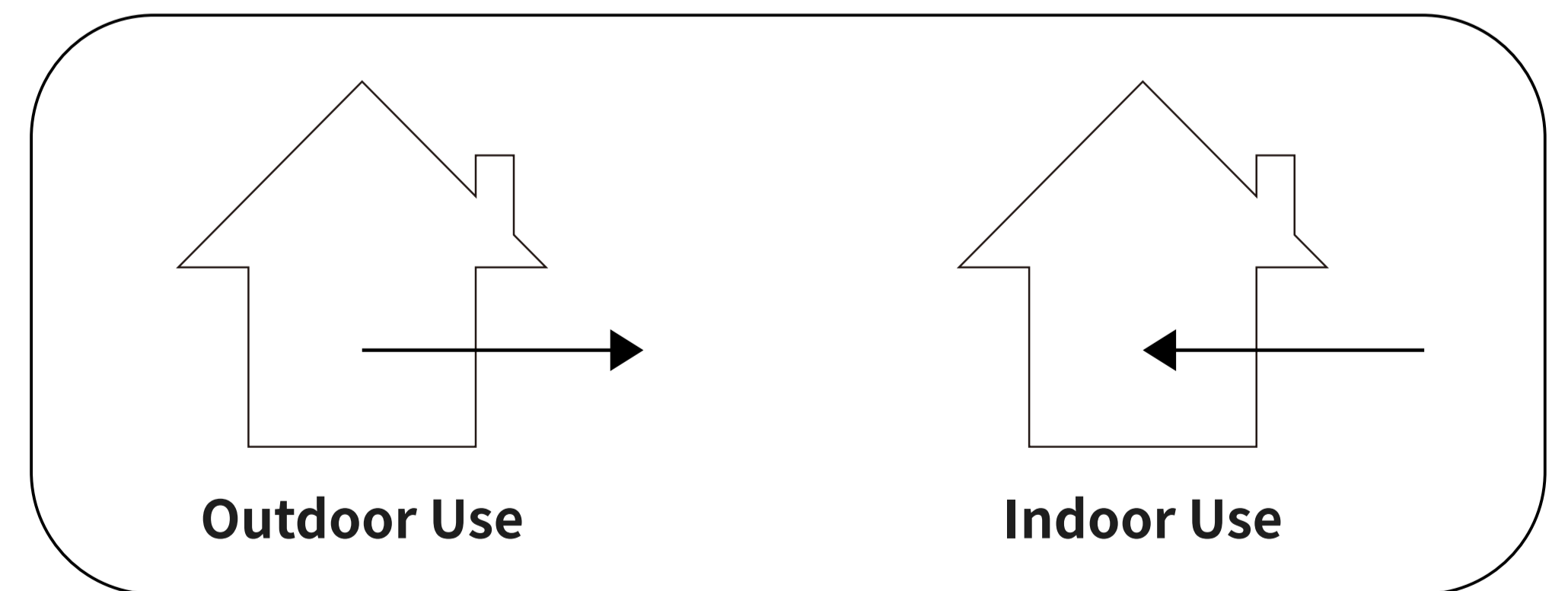
Wide Color Options



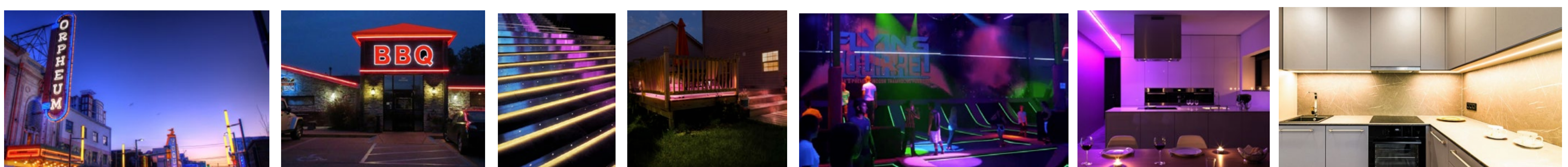
RGB Color Mixing - Color changing, Fading, Chasing effect

Recommended Usage Scenarios :

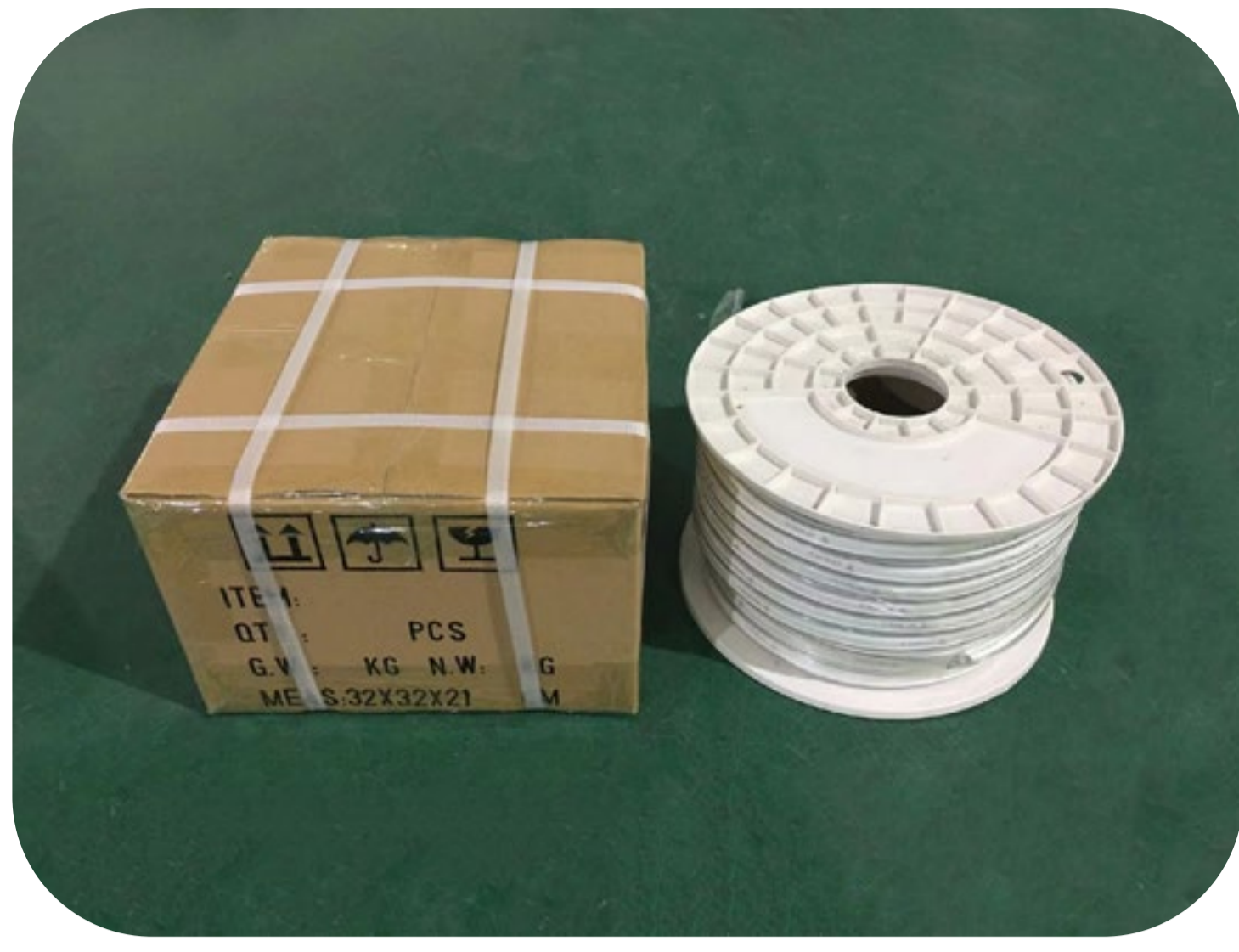
1. Indoor and outdoor architectural lighting decoration
2. Landscape lighting
3. Advertising signage lighting
4. Stage and theater lighting
5. Car and motorcycle lighting
6. Holiday and event lighting decoration
7. Cove lighting
8. Edge-lit lighting
9. Retail and display lighting
10. Restaurant and bar lighting



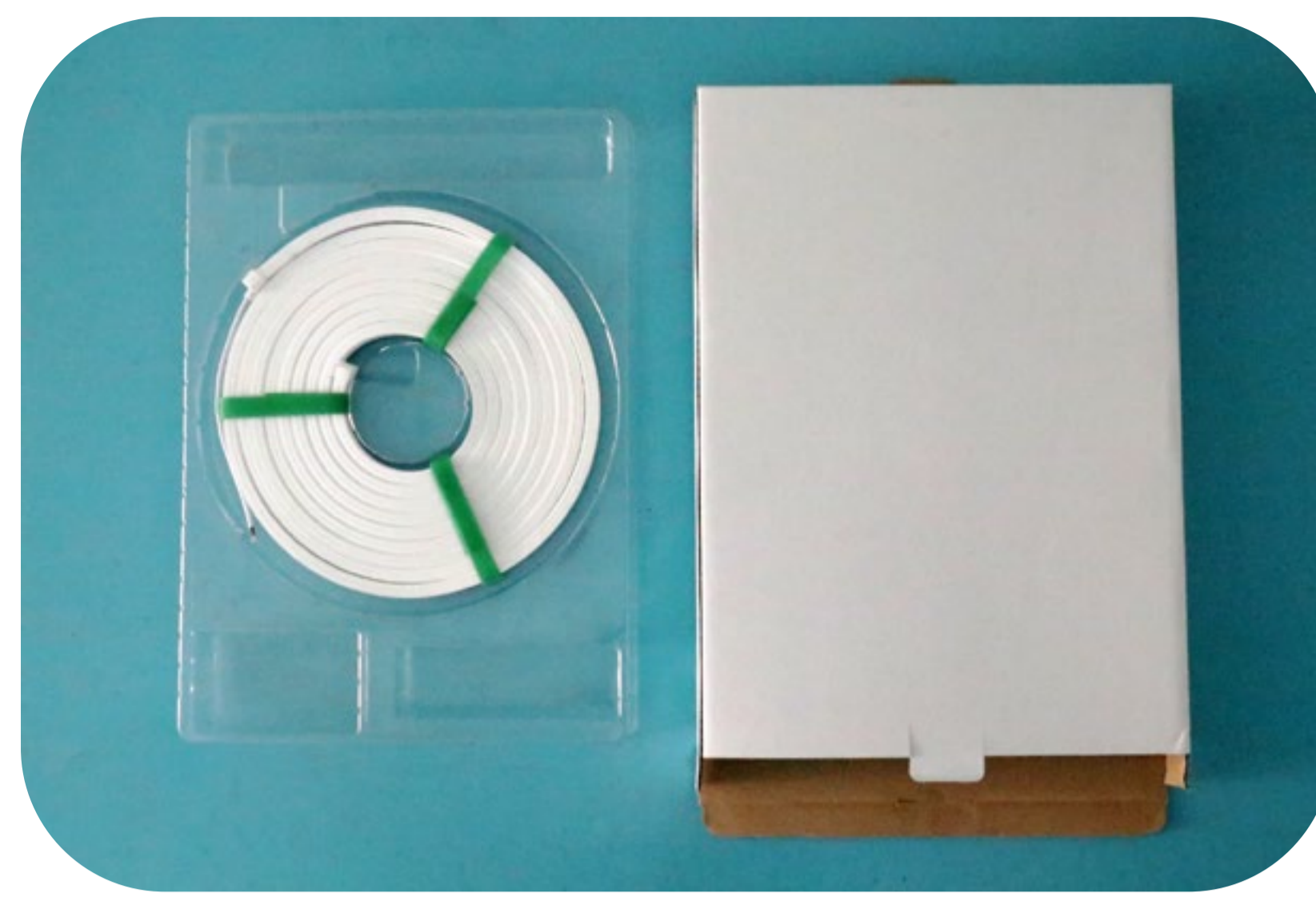
Please note that these are only recommended usage scenarios and it is important to consult the product specifications and guidelines before using flexible LED neon light strips in any application.



Package



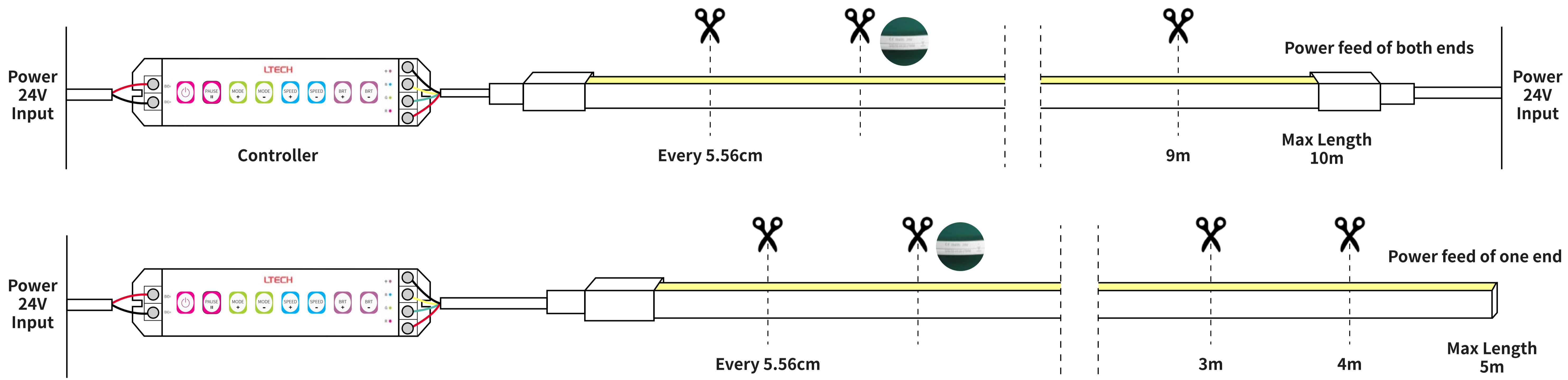
Packing Method : Reel + boardcards
 Quantity / Box : 50 meters / reel
 Gross Weight : 6 Kg (13.23LB)
 Size of outer box : 32 x 32 x 21cm
 CBM : 0.022 m³ / box



Packing Method : Blister + White box
 Quantity / Box : 5 meters / reel
 Gross Weight : 0.9 Kg (1.98LB)
 Size of outer box : 46.2 x 33 x 4cm
 CBM : 0.006 m³ / box

Mini Cutting Length & Connection Length

• Voltage (24V)



Controller (PWM compatible controller - 4 wires: 24V+, Red- , Blue- and Green-)



LT-3600RF
LED RGB Controller

IP68 (Injection Mould Connector/Seamless Connection)

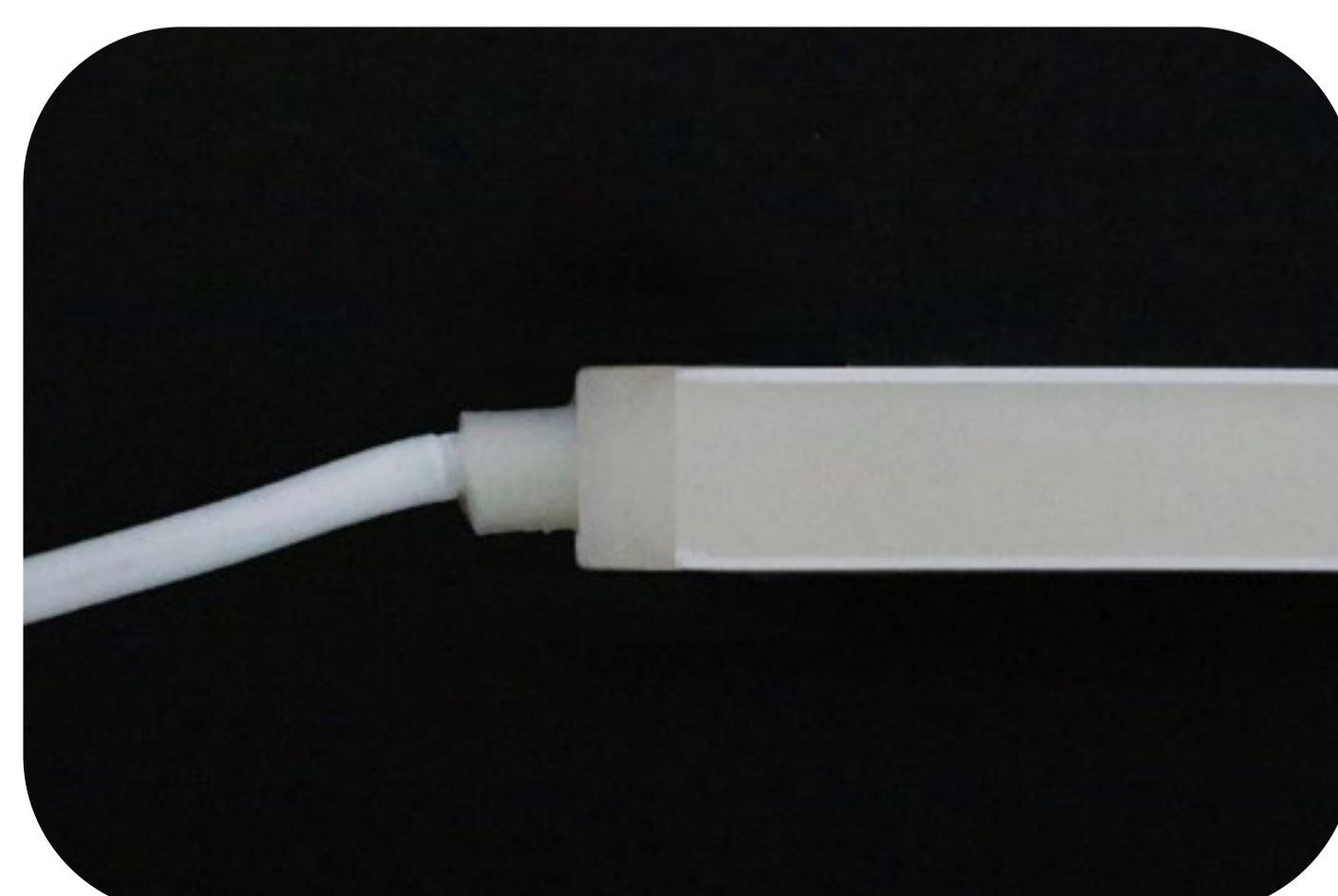
• Voltage (24V)



SIDE EXIT (R)



SIDE EXIT (L)



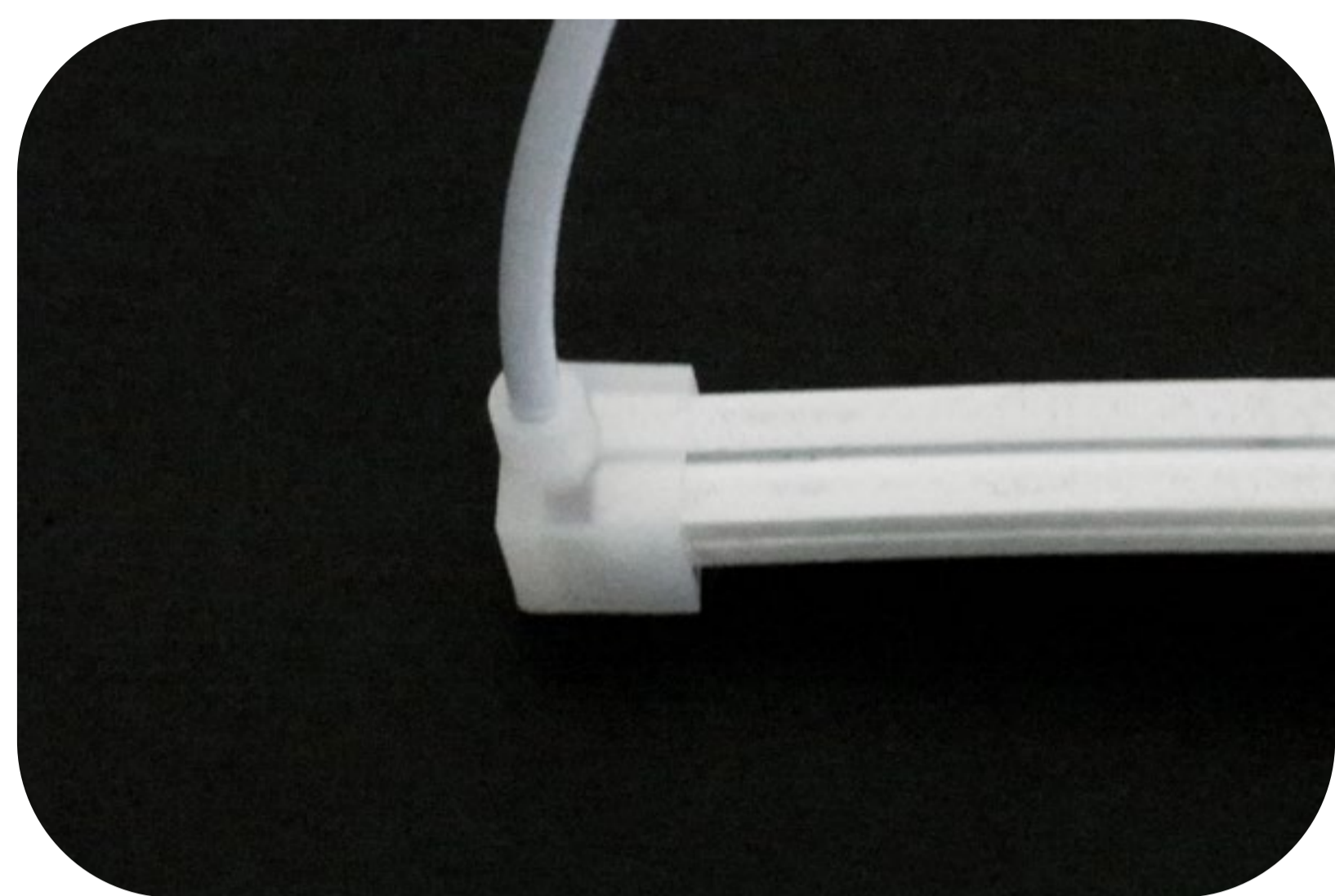
STRAIGHT EXIT



BOTTOM EXIT

IP65 (DIY Connector)

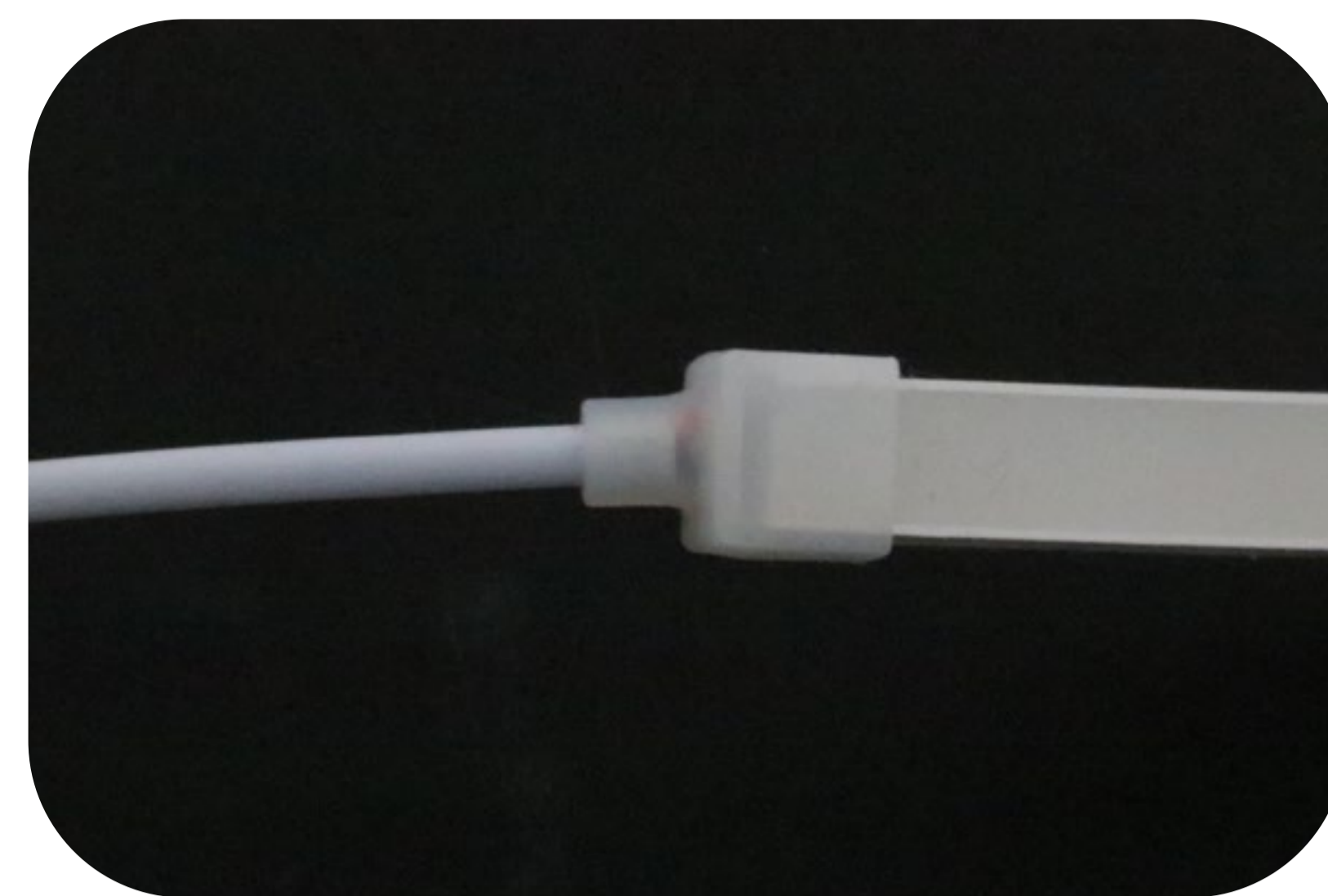
• Voltage (24V)



BOTTOM EXIT

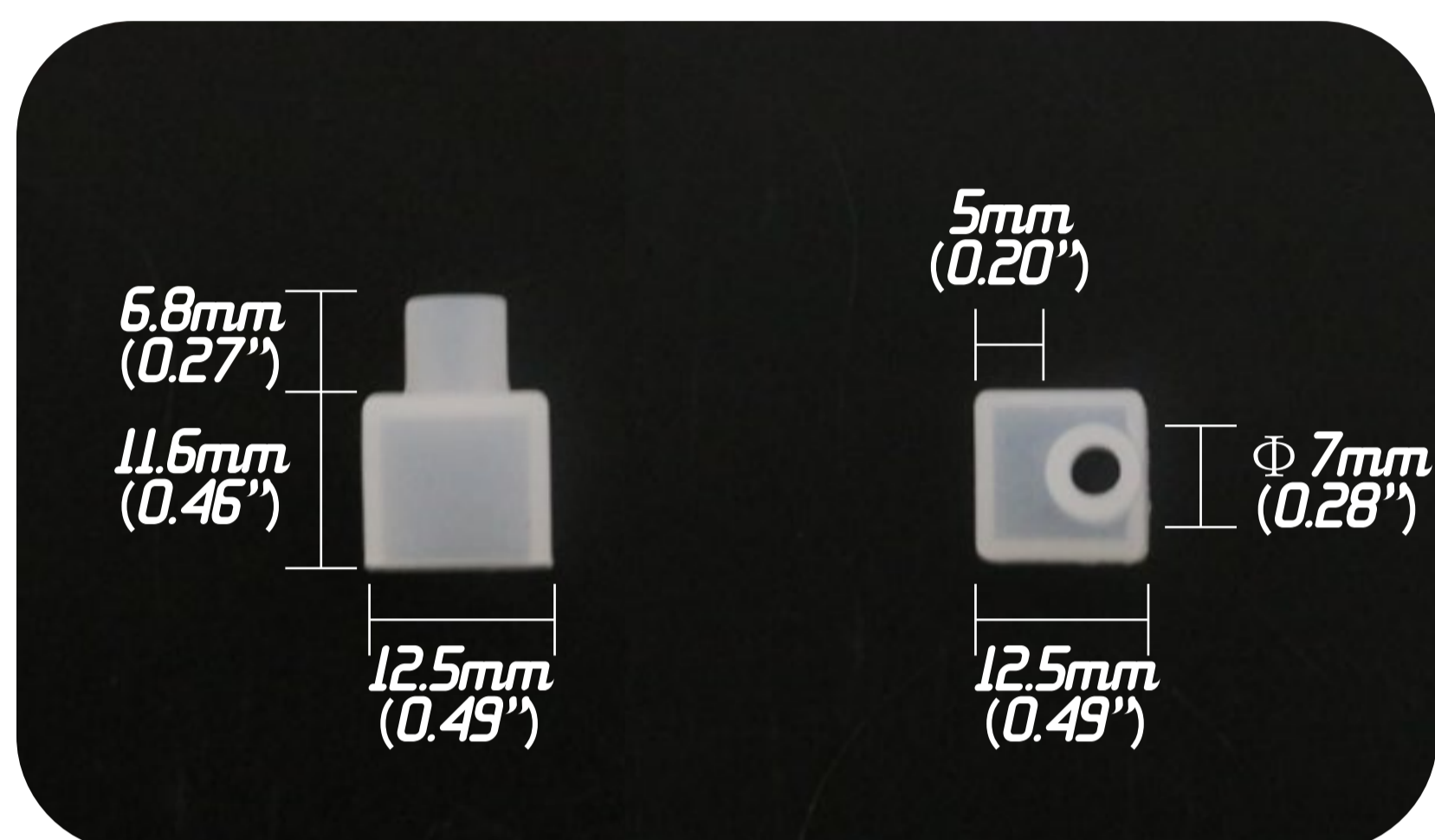


SIDE EXIT

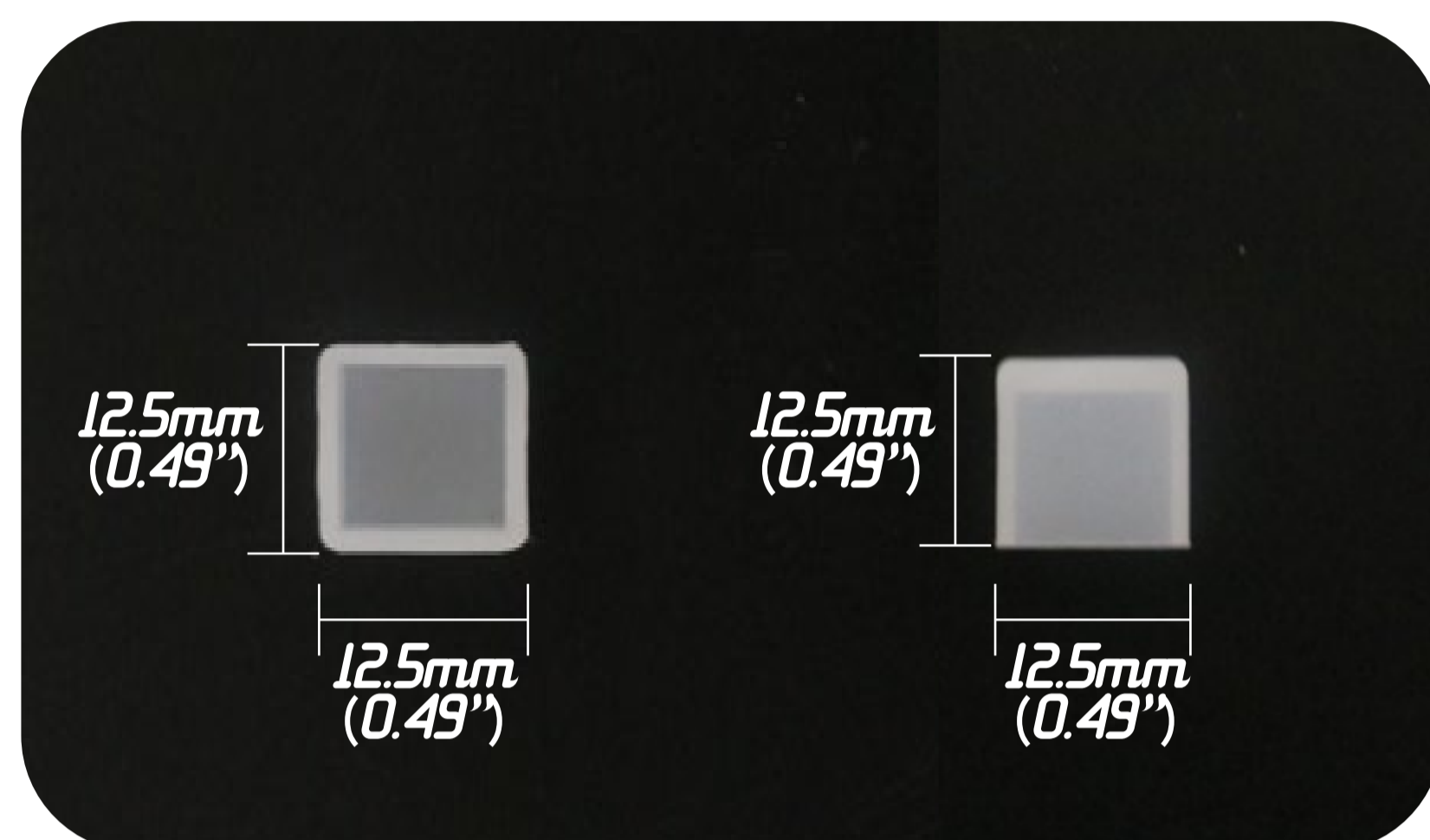


STRAIGHT EXIT

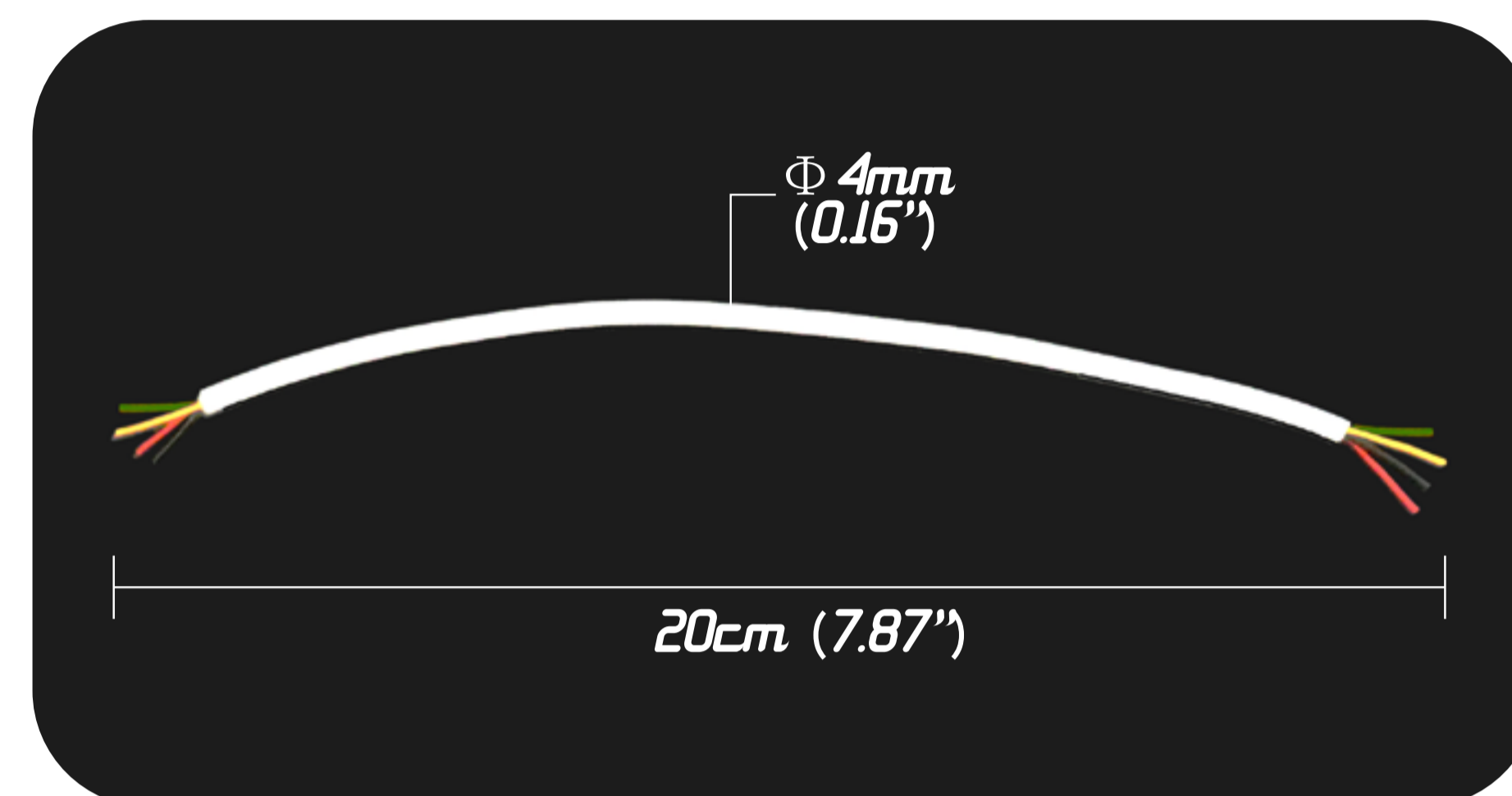
• Part Details



FRONT CONNECTION FITTING

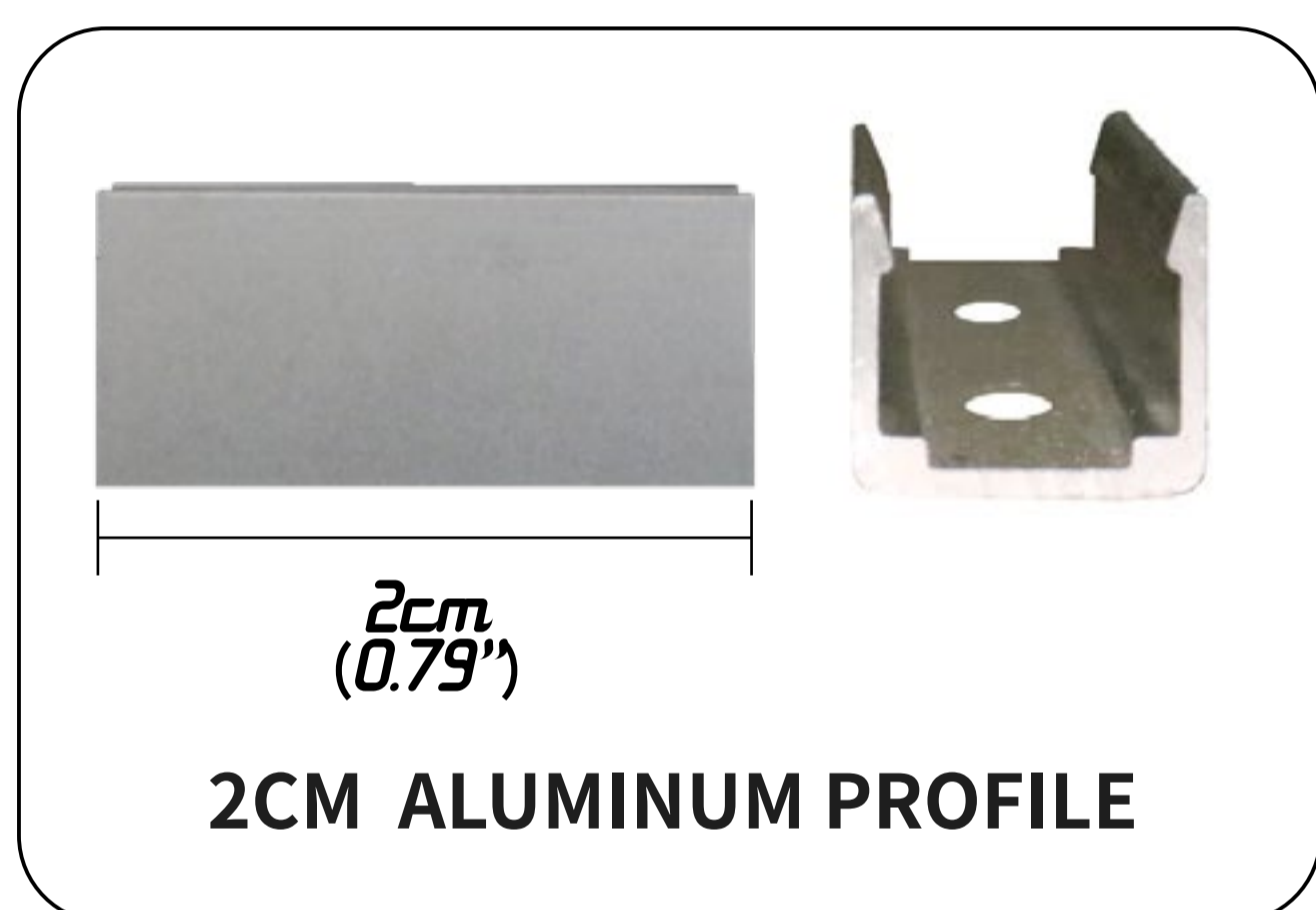


TAIL FITTING



SILICONE POWER WIRE (4 CORDS)

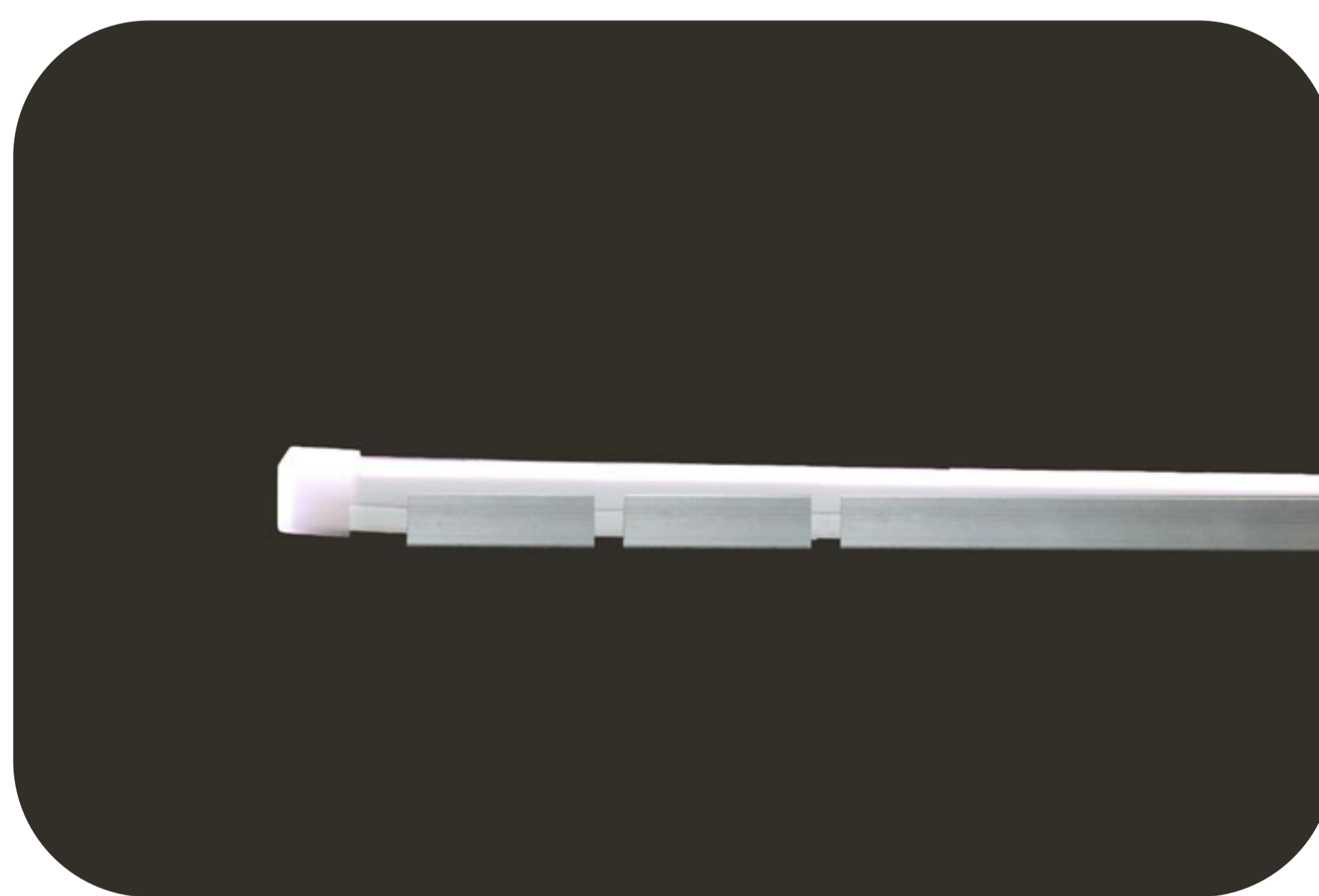
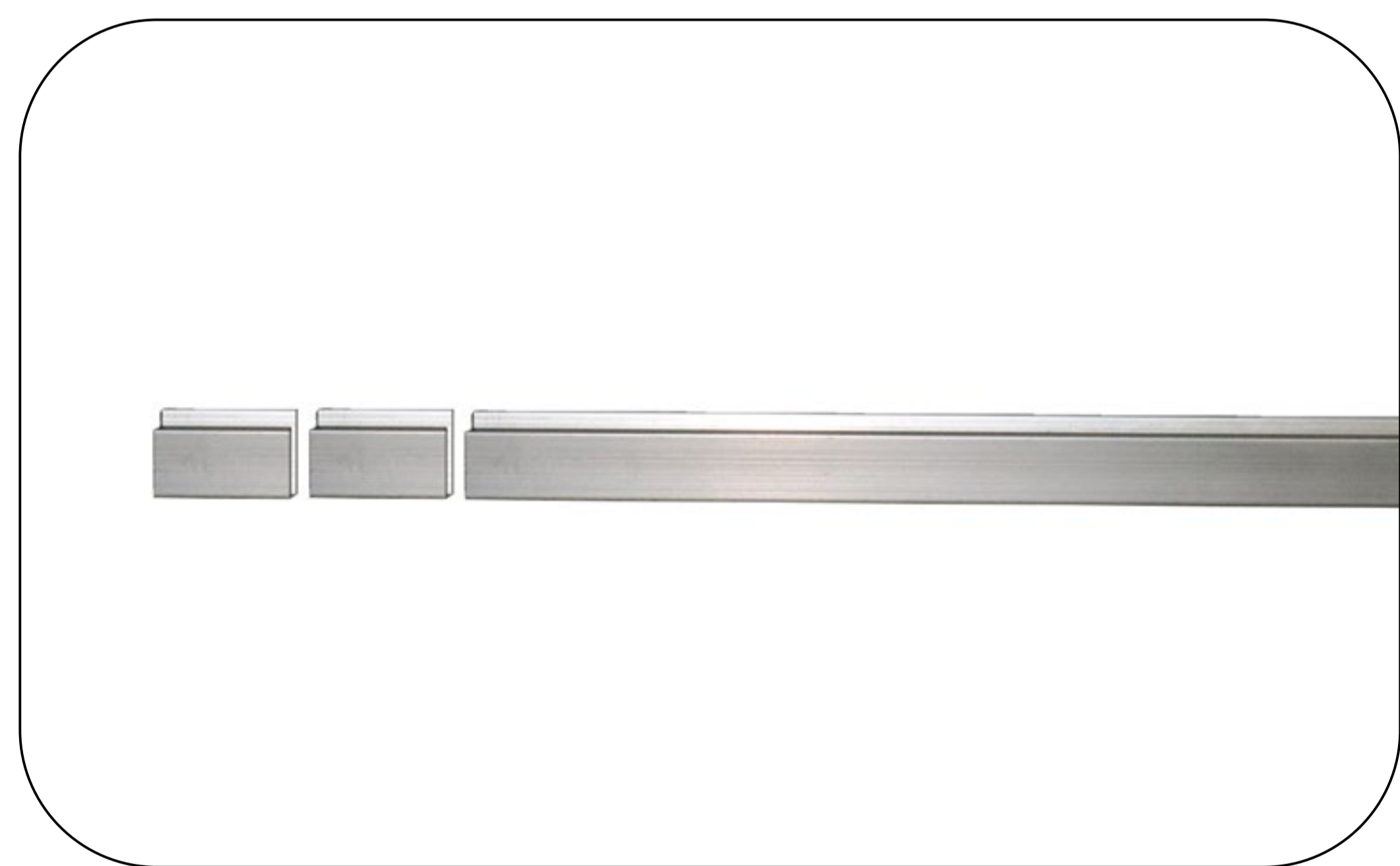
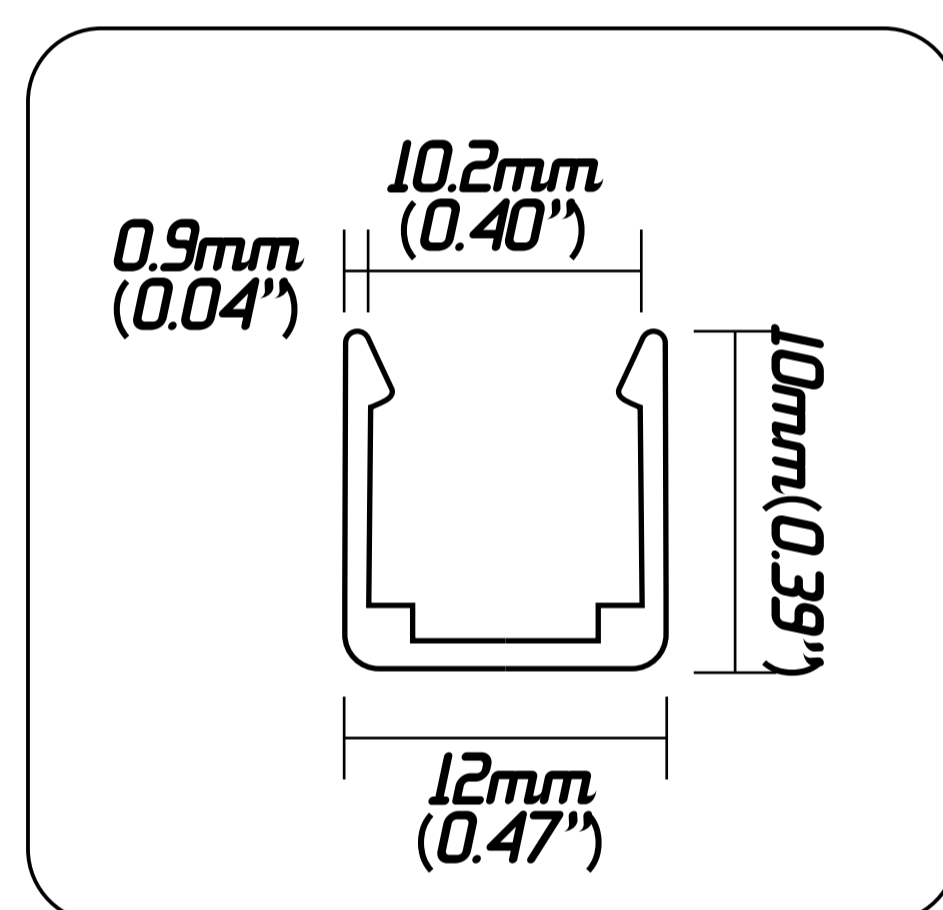
Mounting Aluminum Channel



2CM ALUMINUM PROFILE



ALUMINUM CHANNEL (1M)



Mounting Flexible Stainless Channel

