



Wilgex[®]

Professional LED Light Manufacturer
Since 2008

 www.wilgex-led.com

 (86) 769-28820681

 info@wilgex-led.com

LED NEON FLEX

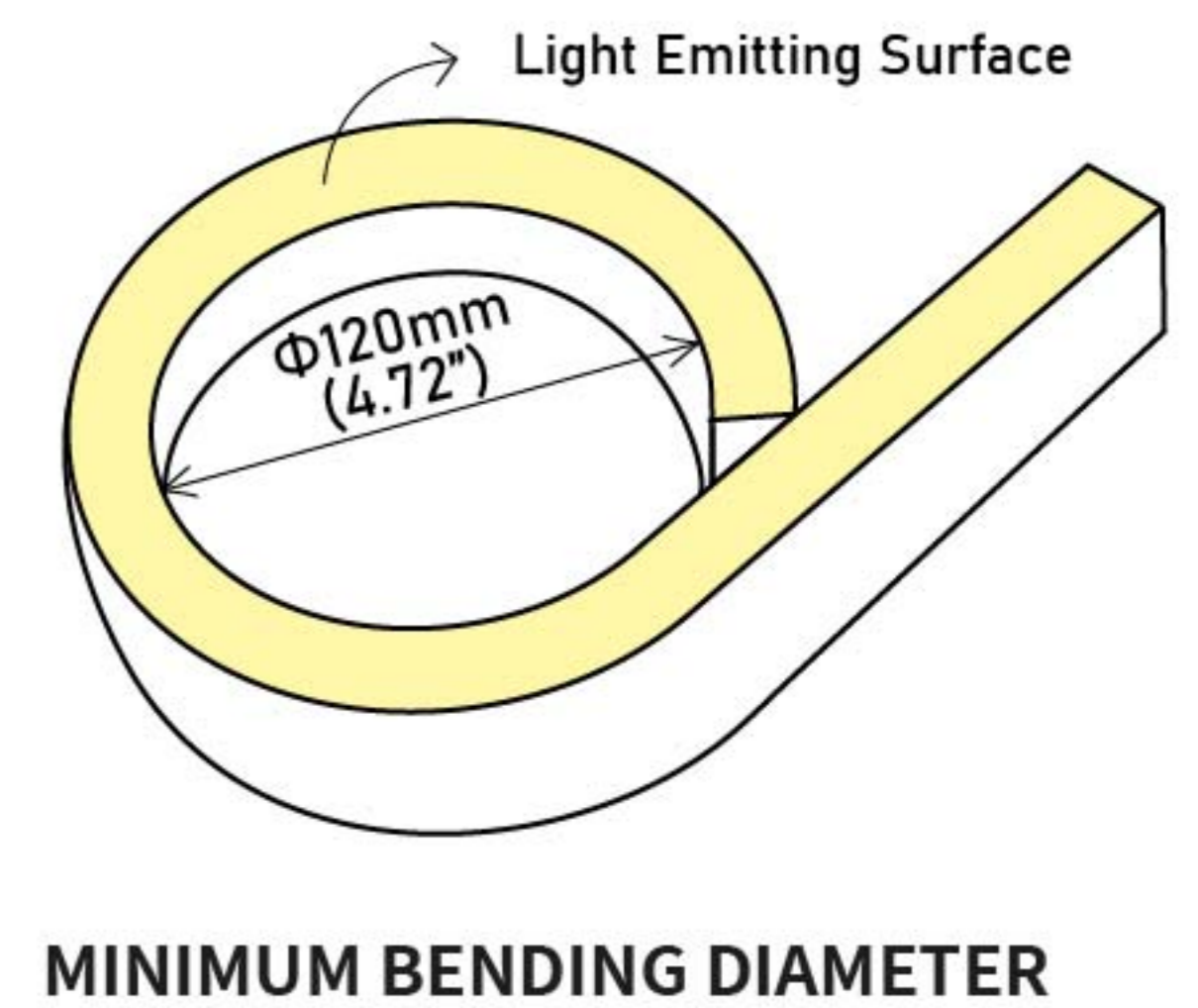
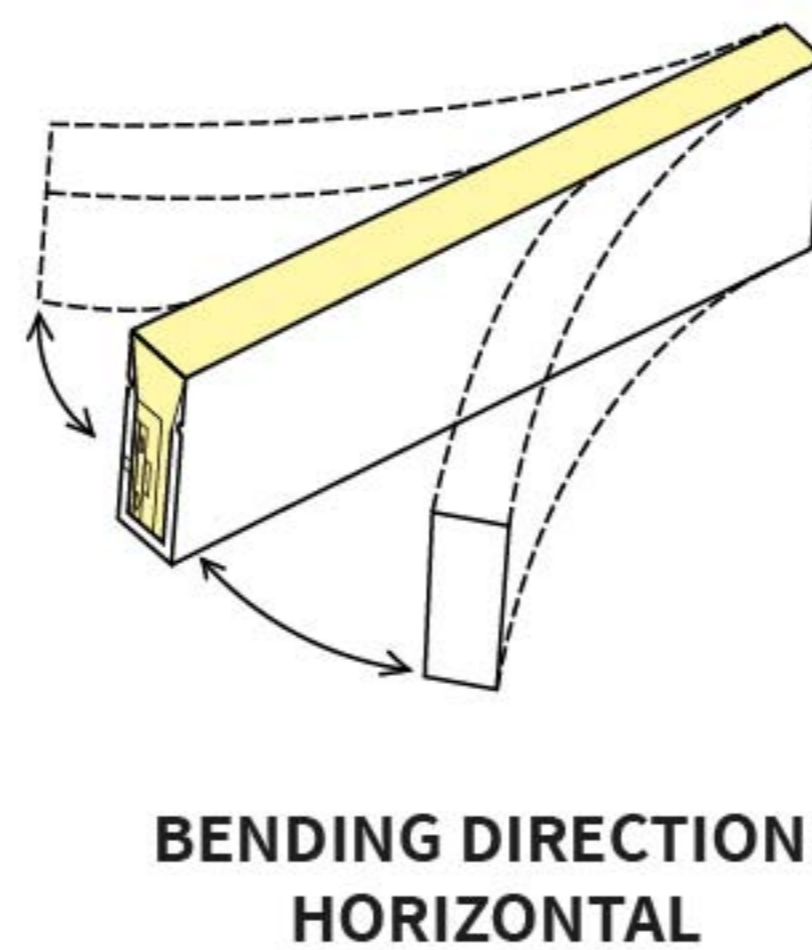
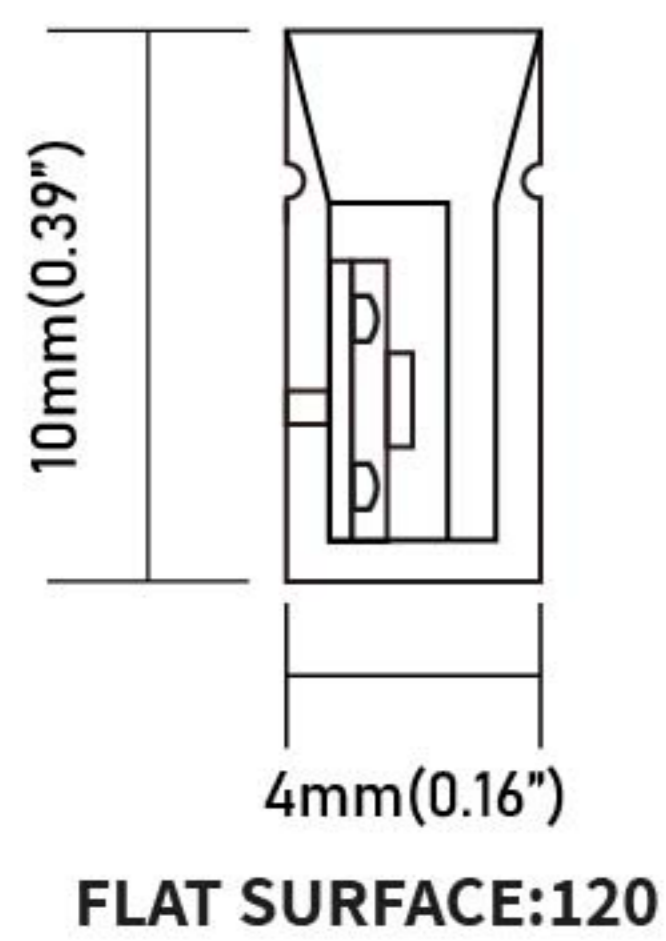
**4x10mm
FLAT**

**MONO COLOR
12V/24V**

SKU:WJ-SNF-0410-MONO-12V/24V



Structural Drawing & Bending Direction



Certifications



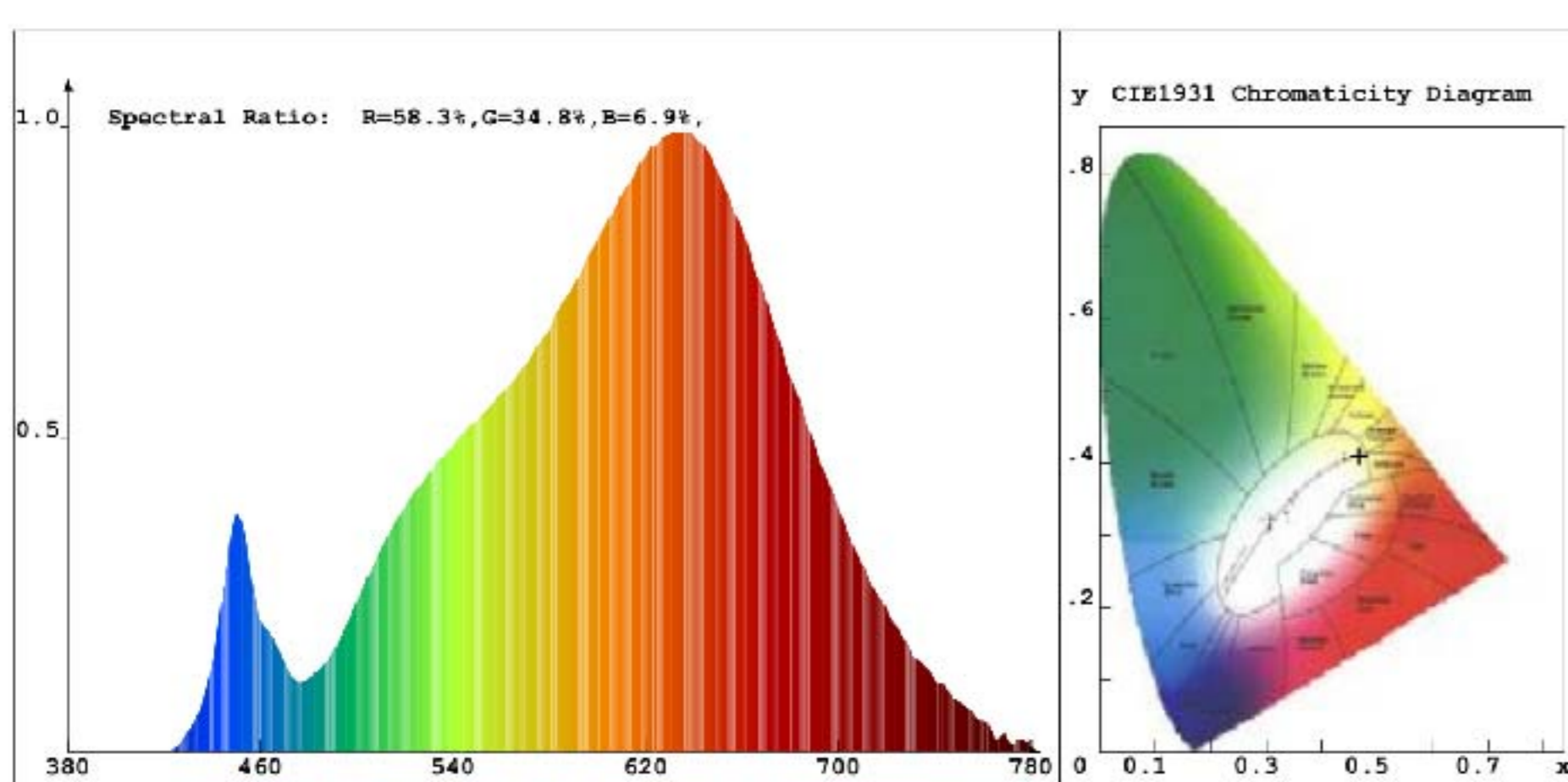
Technical Data

Color temperature : 2200K ● ● ● ● 10000K

MAX LOADING(12V/24V): 5m

COLOR	CCT/WAVE	LED QUANTITY	UNIT CUT (12V)	UNIT CUT (24V)	WATTS/M (24V FLAT)	LUMEN/M (24V FLAT)
Warm White	2593K/586.0nm	120 LEDs/m	2.5 cm	5cm	8.34 W	188.27 lm
Cool White	6865K/471.7nm	120 LEDs/m	2.5 cm	5cm	8.41 W	187.68 lm
Red	1007K/622.6nm	120 LEDs/m	2.5 cm	5cm	7.76 W	72.58 lm
Green	8094K/526.3nm	120 LEDs/m	2.5 cm	5cm	8.54 W	198.77 lm
Blue	465.2nm	120 LEDs/m	2.5 cm	5cm	8.71 W	27.09 lm
Yellow	1782K/590.2nm	120 LEDs/m	2.5 cm	5cm	8.24 W	204.30 lm
Orange	1062K/605.5nm	120 LEDs/m	2.5 cm	5cm	8.35 W	135.98 lm
Light Pink	1457K/614.9nm	120 LEDs/m	2.5 cm	5cm	8.36 W	173.46 lm
Pink (Violet)	568nm	120 LEDs/m	2.5 cm	5cm	8.06 W	61.33 lm
Purple	443.1nm	120 LEDs/m	2.5 cm	5cm	8.20 W	34.44 lm

Optical Parameter Chart for Integrating Sphere Testing

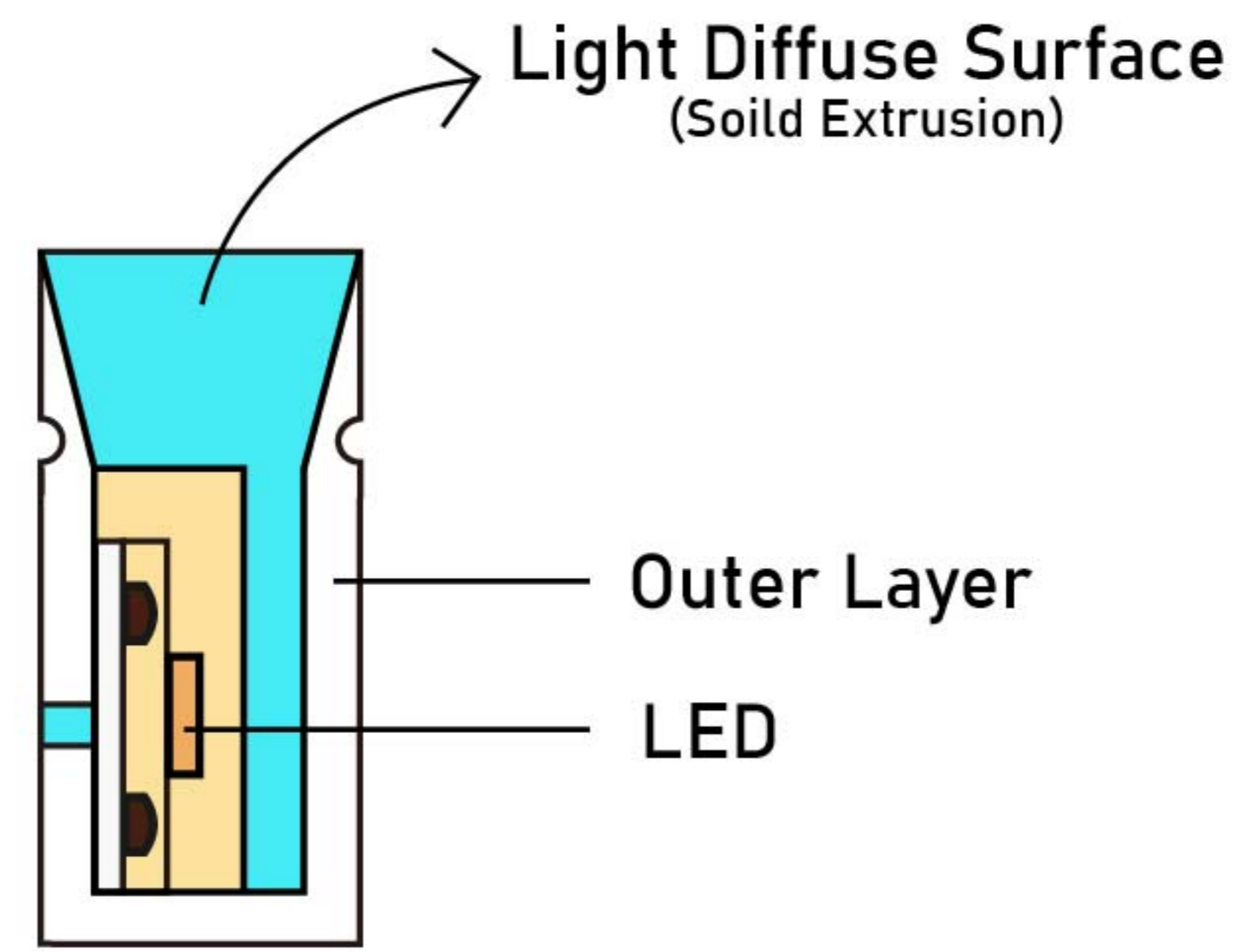


Reliability test

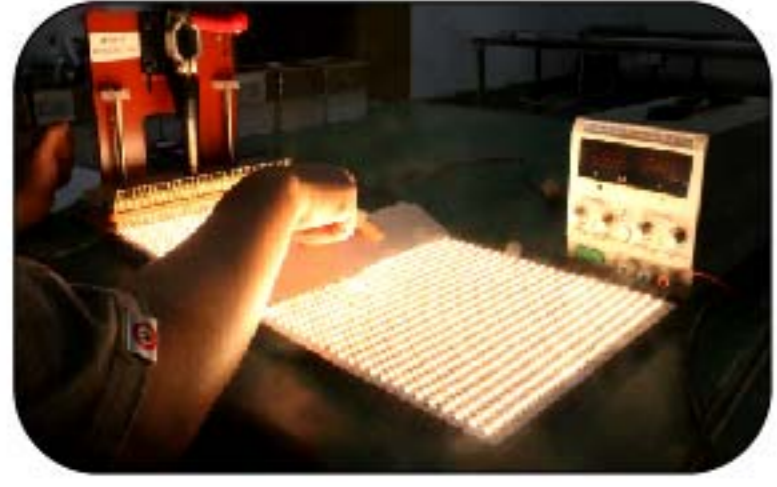
TEST CATEGORY	TEST ITEMS	STANDARD/VALUE
Optical Test	Spectrum Analysis	IES LM 79(CCT, lumen, CRI, SDCM, XY, wavelength)
	Photometric Distribution	IES LM 79(lumen intensity distribution & Lux diagram)
	Lumen Maintenance & Lifetime	IES LM84 & IES TM 28
Temperature Test	Nomal Temperature Test -25°C	UL 1598 & UL2388 & IEC60598-1 & IEC60598-2-21
	Abnormal Operation Test -70°C	UL 1598 & UL2388 & IEC60598-1 & IEC60598-2-21
Physics Test	Bending Test	Manufacturer-defined, 1000 cycles
	Swing Test	UL2388, >750 cycles
	Tensile Test	Manufacturer-defined, >the weight of light in max. running length by double ends feed
	Twist Test	Manufacturer-defined, 200 cycles
	IK08	IEC62262
Weathering Test	Ball Impact	UL 1598 & UL2388 & IEC60598-1 & IEC60598-2-21
	Swimming Pool Water Immersion Test	GB9667, PH6.8-7.6, free chlorine 0.3-0.6mg/L
	Sea Water Immersion Test	IEC 60598-1, Salinity 4%
	Salt Spray Test	IEC68-2-11
Environment Test	Outdoor Exposure	Manufacturer-defined
	Flame Resistant Test	UL94
	UV Exposure Test	ASTMG154, UVA@340nm
	IPX5 IPX6 IPX7 IPX8	IEC60529
	Temperature Shock Test	Manufacturer-defined, -40°C-60°C(typical temperature range)
	Constant Temperature Test	Manufacturer-defined, 70°C(typical temperature range)

Wilgex specializes in engineering LED flexible neon lights and offers both standard and customized services. If you have specific requirements, please contact our sales department.

Quality assurance



Unique Design



★ Enhance thickness FPC design principle



★ LED anti-death design



★ Solid extrusion design for exterior



Features:

1. Ultra-thin: The thickness of the strip is only 4mm
2. Small size: The LED chips have a small size of 4mm x 10mm
3. High-density LED chips: The strips have a high density of LED chips, resulting in a brighter and more uniform light output
4. Flexible and bendable: Can be bent into various shapes and designs
5. Energy-efficient: Uses less power compared to traditional neon lights
6. Long lifespan: Can last up to 50,000 hours
7. Low heat emission: Does not emit as much heat as traditional neon lights
8. Wide color options: Available in a wide range of colors
9. Easy to install: Can be cut and connected to fit any desired length and shape
10. Durable and weather-resistant: Can withstand various weather conditions
11. Safe to use: Low voltage and does not contain hazardous materials like mercury
12. Cost-effective: Offers a cost-effective alternative to traditional neon lights.

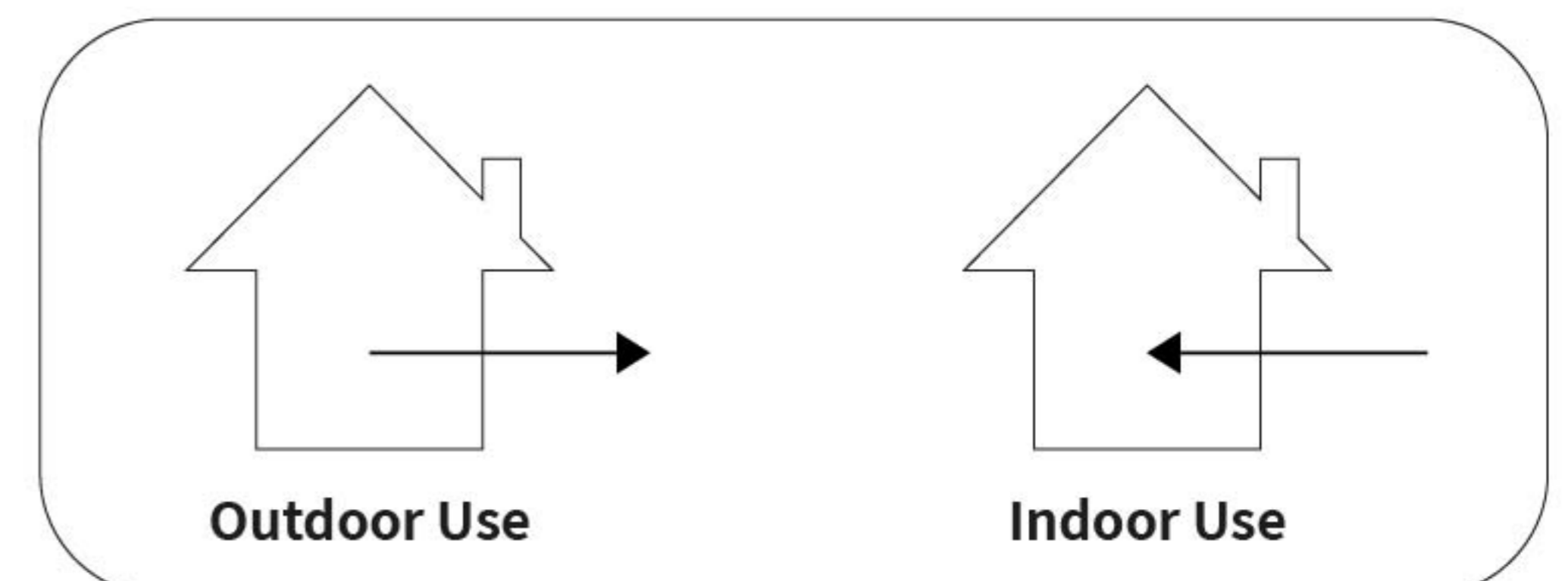
Wide Color Options



Cool White Warm White Blue Red Green Yellow Orange Light Pink Pink (Violet) Purple

Recommended Usage Scenarios :

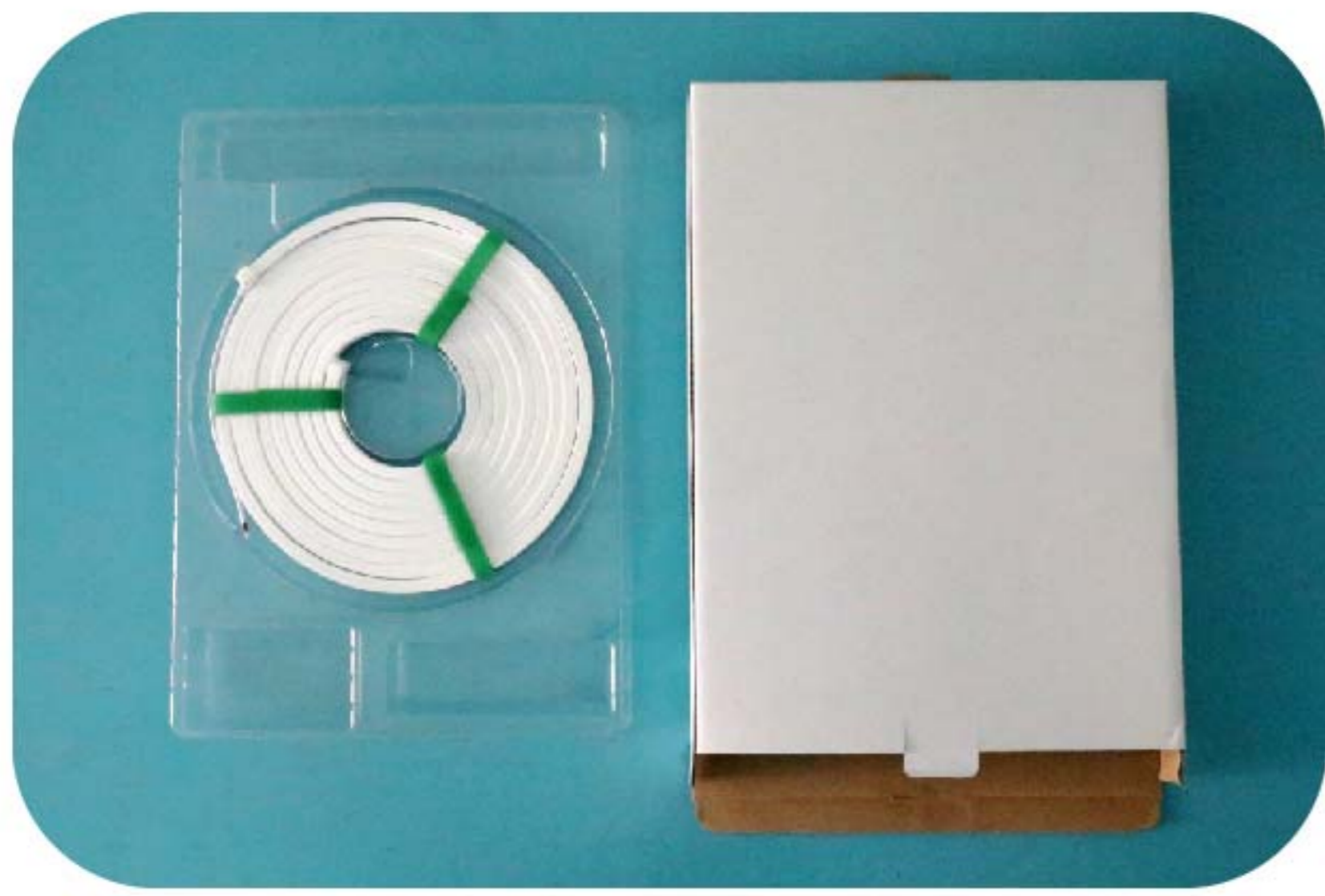
1. Indoor and outdoor architectural lighting decoration
2. Landscape lighting
3. Advertising signage lighting
4. Stage and theater lighting
5. Car and motorcycle lighting
6. Holiday and event lighting decoration
7. Cove lighting
8. Edge-lit lighting
9. Retail and display lighting
10. Restaurant and bar lighting



Please note that these are only recommended usage scenarios and it is important to consult the product specifications and guidelines before using flexible LED neon light strips in any application.



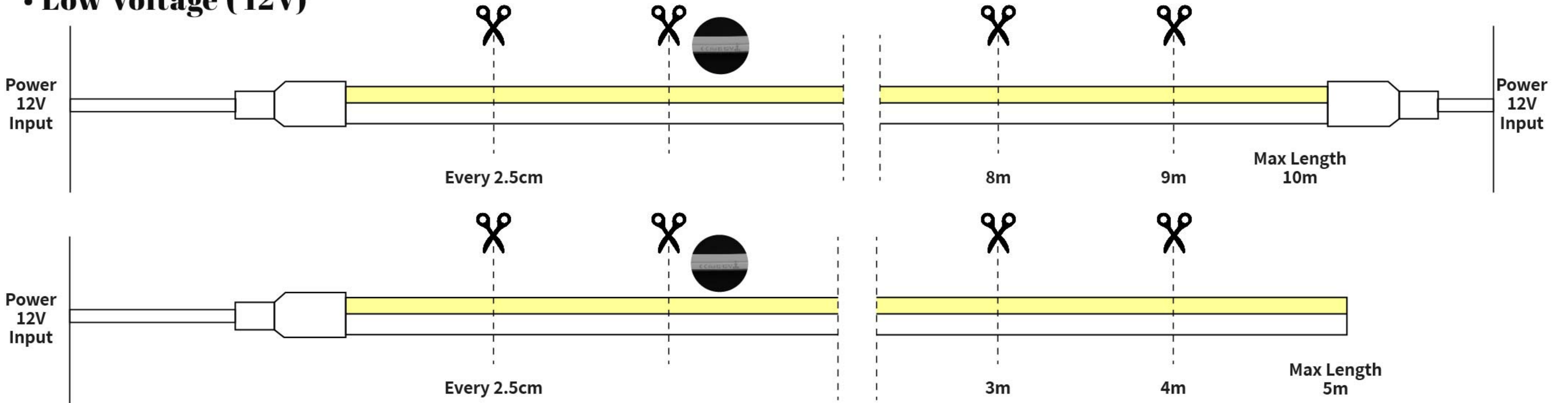
Package



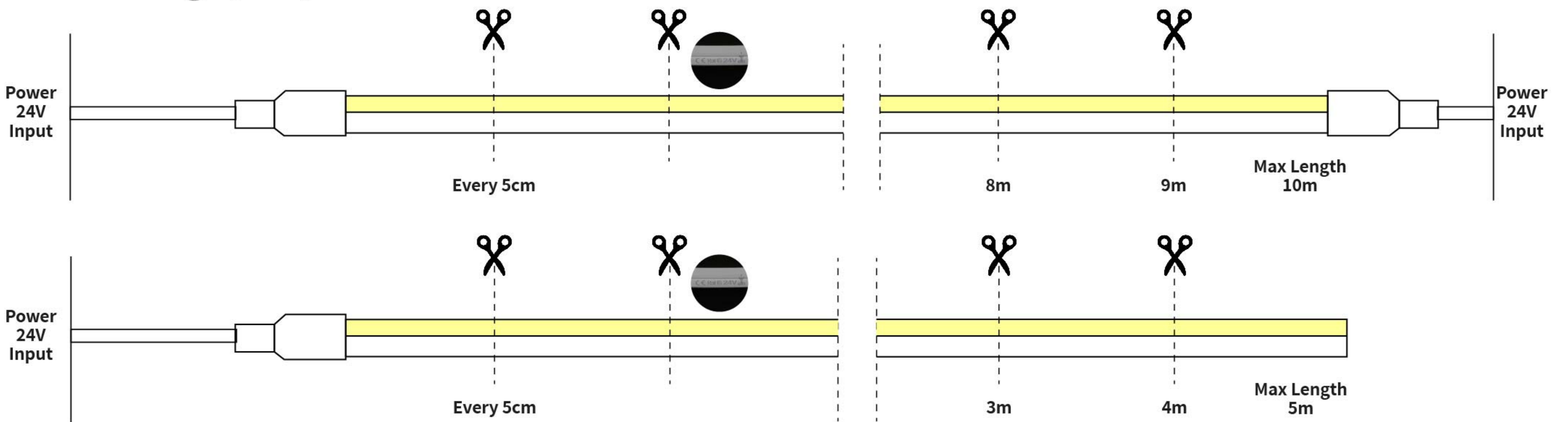
Packing Method : Blister + White box
 Quantity / Box : 5 meters / reel
 Gross Weight : 0.34Kg (0.75LB)
 Size of outer box : 46.2 x 33 x 4cm
 CBM : 0.006 m³ / box

Mini Cutting Length & Connection Length

• Low Voltage (12V)



• Low Voltage (24V)



IP65 (DIY Connector)

• Voltage (12V / 24V)

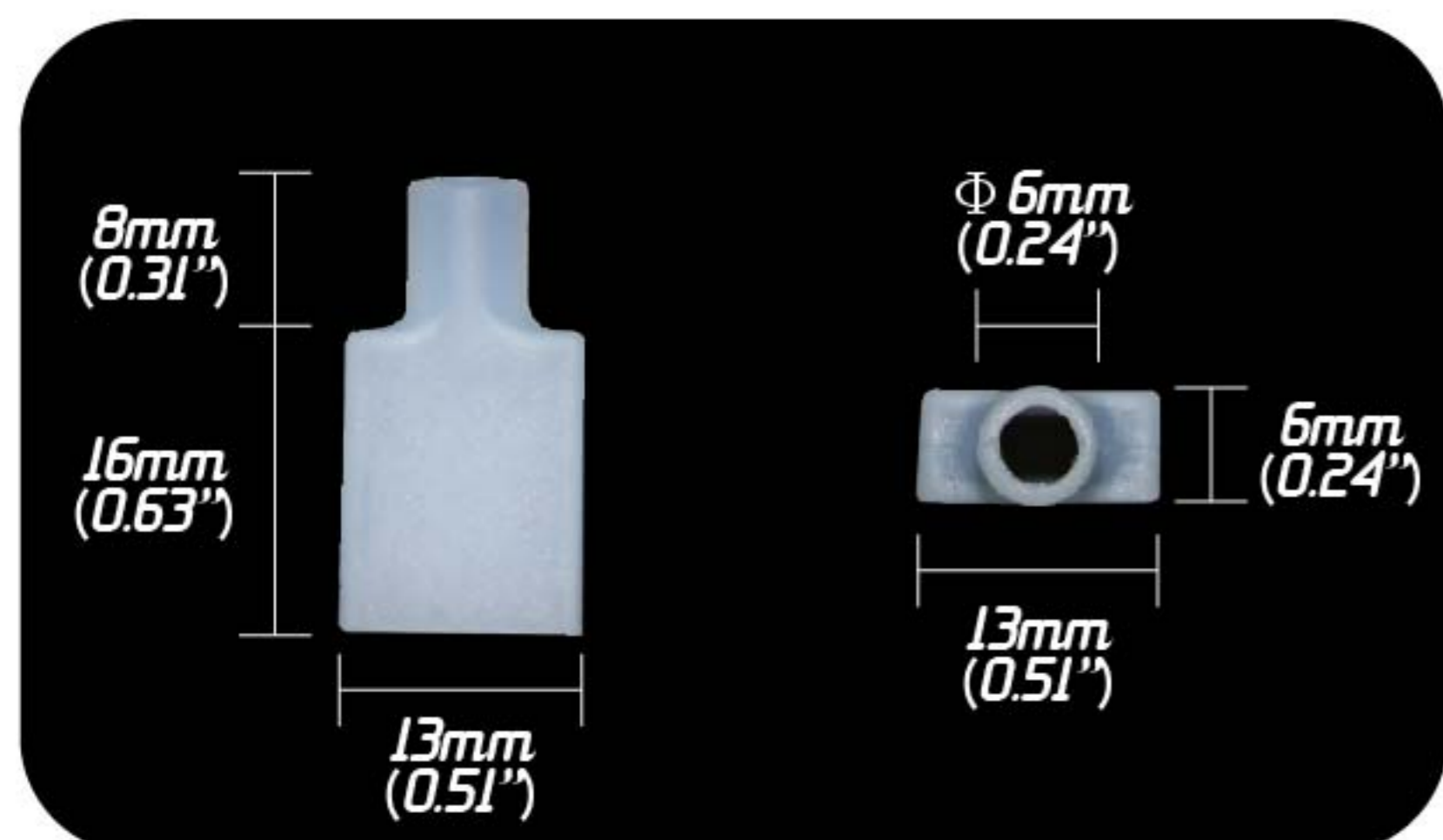


FRONT CONNECTION

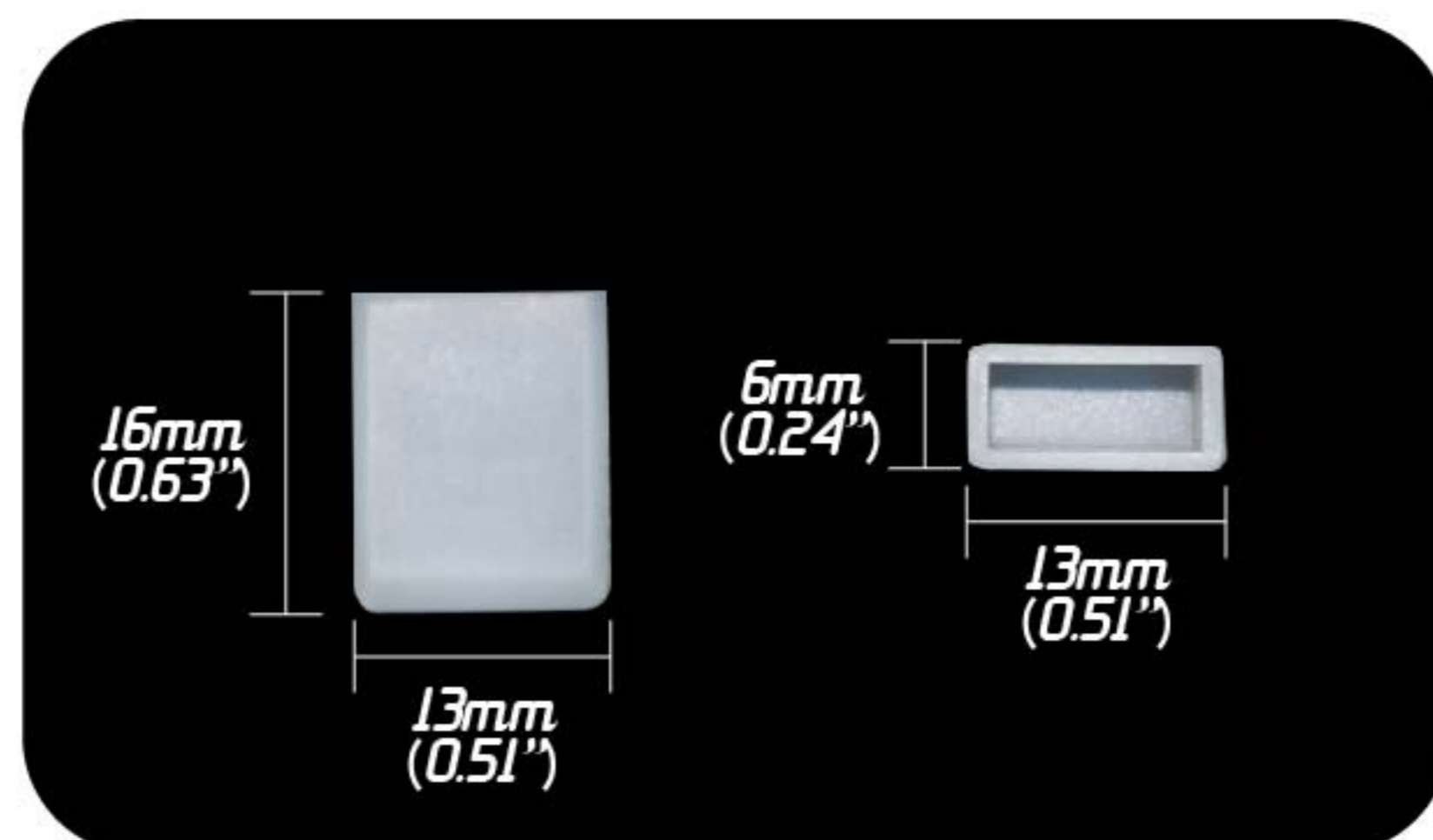


END CONNECTION

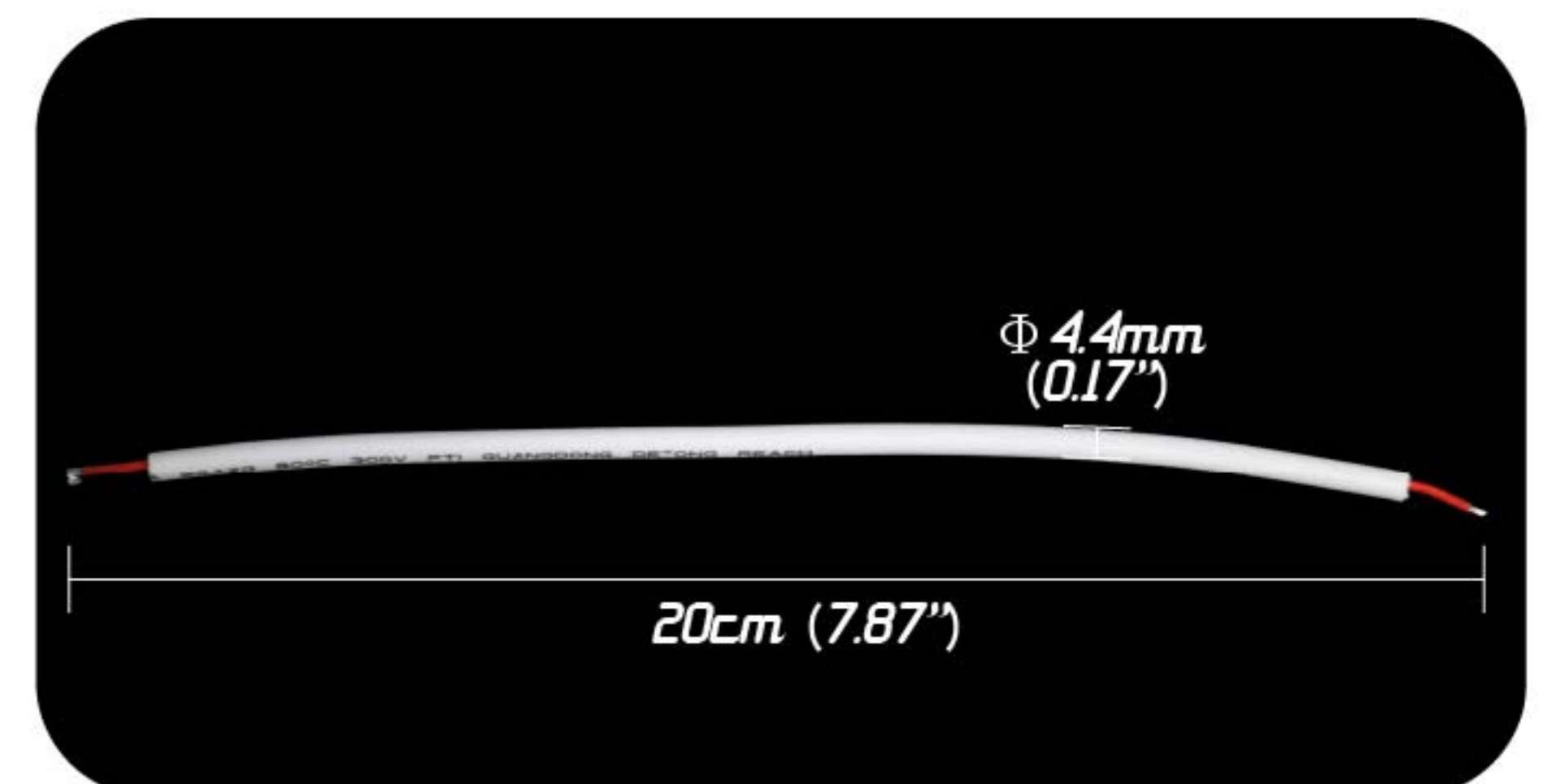
• Part Details



FRONT CONNECTION FITTING



TAIL FITTING



SILICONE POWER WIRE (2 CORDS)

Mounting Aluminum Channel

